

Quick Installation Guide

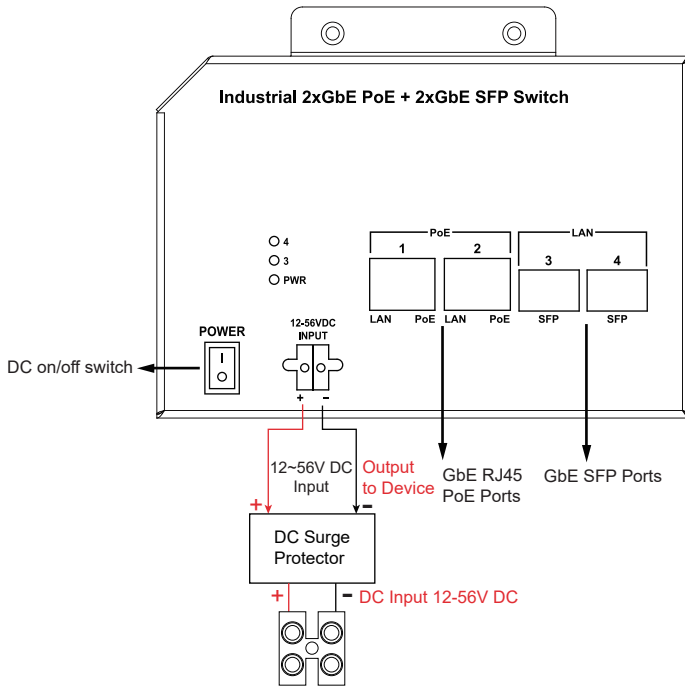
PACKAGE CONTENTS

* 1x PoE switch	* 1x Quick Installation Guide
* 1x T25 L-wrench	

⚠ IMPORTANT:

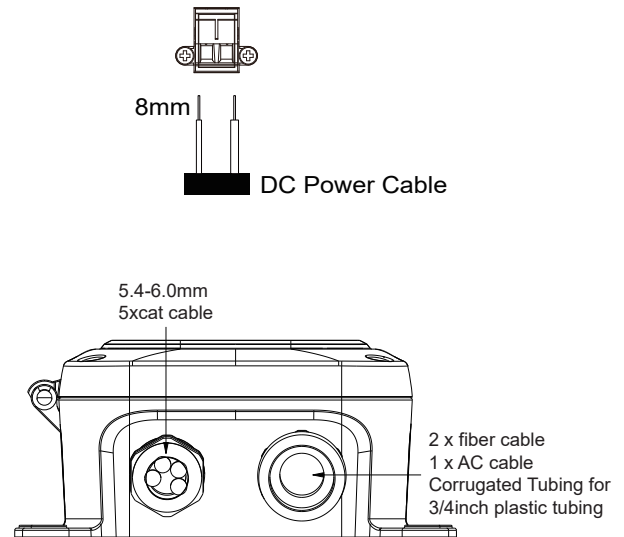
1. Install the PoE switch in a ventilated and dry place that is free of electromagnetic source, vibration, moisture, and dust.
2. Make sure the ventilation openings on the switch are not blocked.
3. Use CAT5 or 5e UTP/STP cables.
4. 12~56V DC input
5. IP67 rated housing.
6. Although housing is IP67 rating , this is not suitable for water jets.

CONNECTION

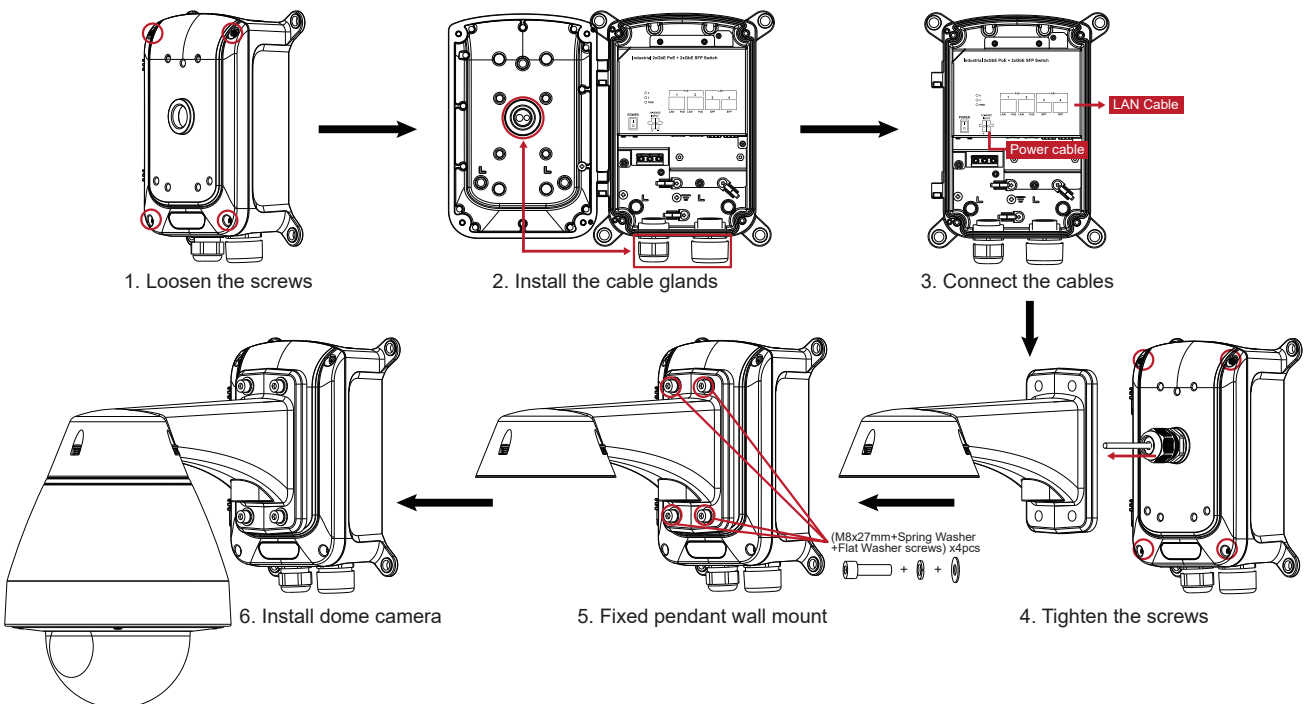


DC Power Cable Spec.

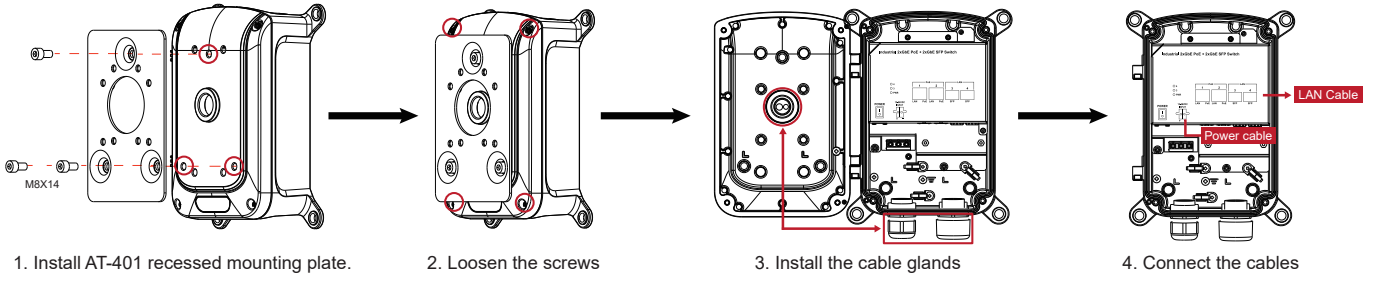
Wire Size	10~18AWG
Wire Strip Length	8mm



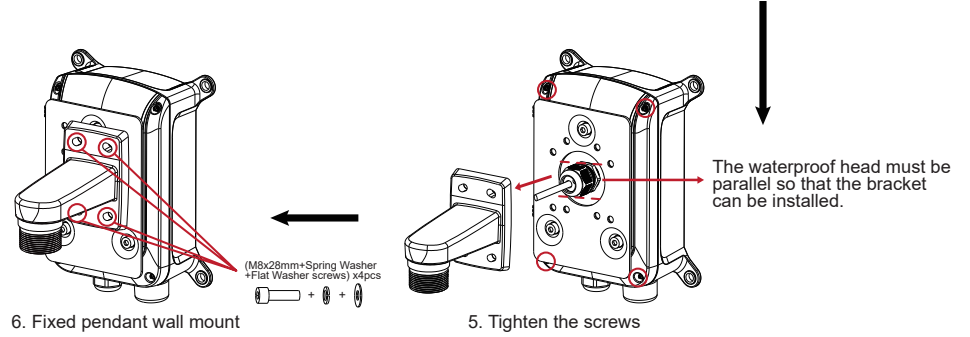
with Avigilon IRPTZ-MNT-WALL1 / MNT-PEND-WALL / WLMT-1001 / WLMT-1021 / WLMT-1031



with AXIS T91E61

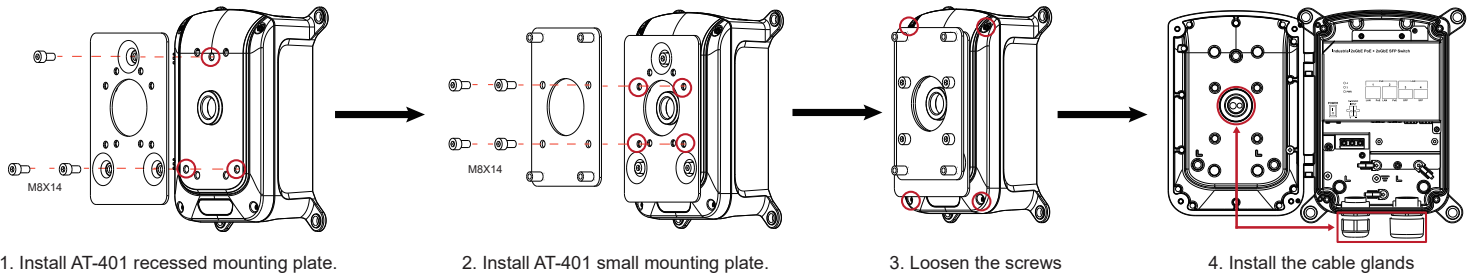


1. Install AT-401 recessed mounting plate. 2. Loosen the screws 3. Install the cable glands 4. Connect the cables

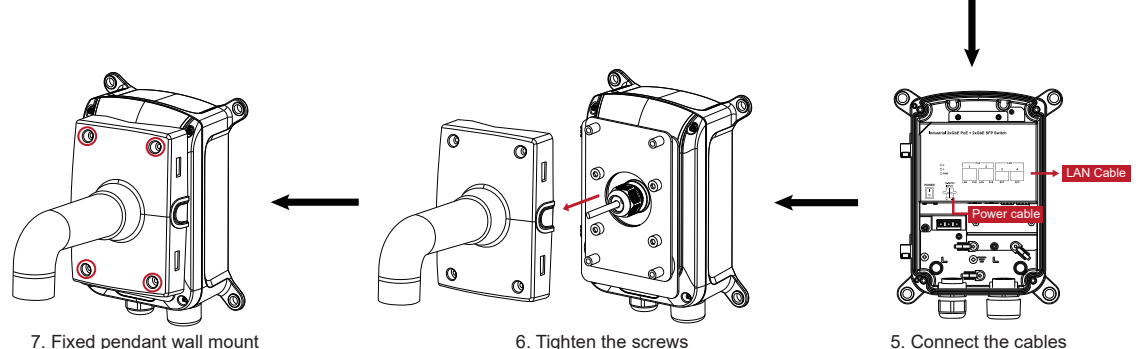


5. Tighten the screws 6. Fixed pendant wall mount

with AXIS T91D61

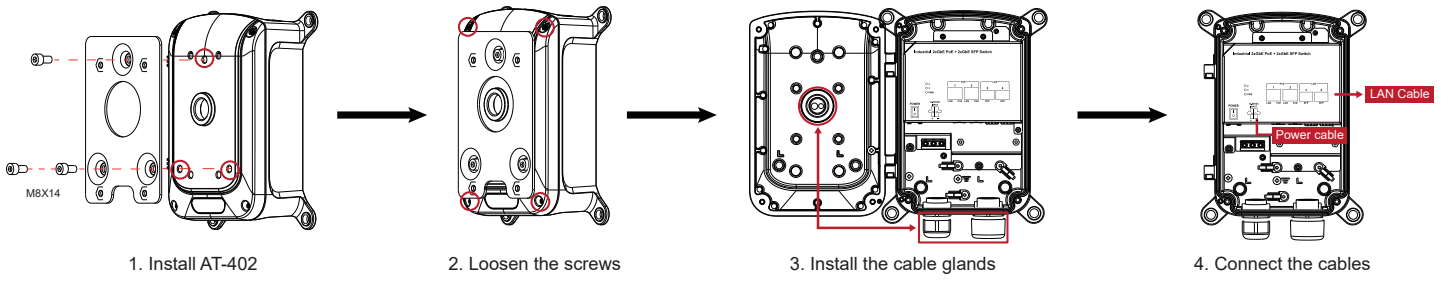


1. Install AT-401 recessed mounting plate. 2. Install AT-401 small mounting plate. 3. Loosen the screws 4. Install the cable glands

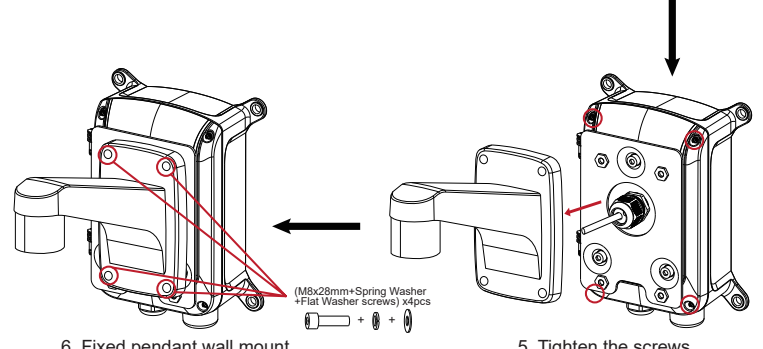


5. Connect the cables 6. Tighten the screws 7. Fixed pendant wall mount

with HANWHA SBP-300WMW1



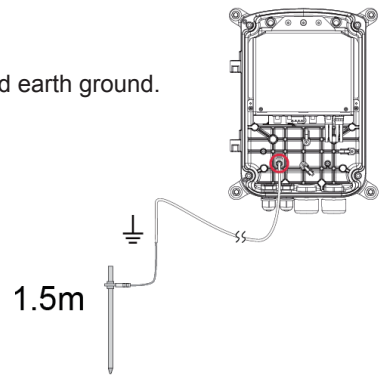
1. Install AT-402 2. Loosen the screws 3. Install the cable glands 4. Connect the cables



5. Tighten the screws 6. Fixed pendant wall mount

IMPORTANT:

The cabinet must be grounded using a ground wire between the ground screw and earth ground.



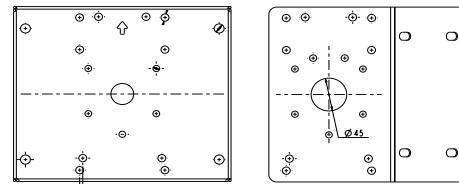
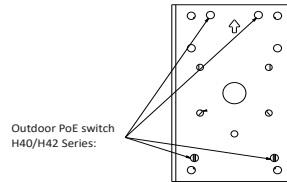
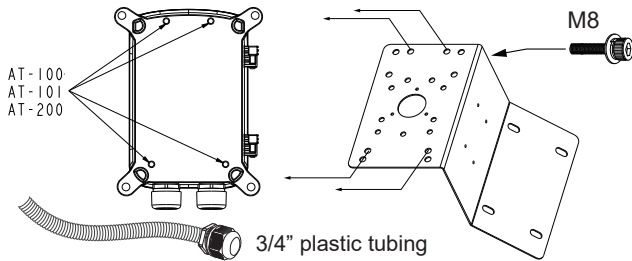
LED DEFINITIONS

Power	Green ON	Power is on and normal.
SFP port	Green ON	Fiber is aeeached.
Green	Green Flashing	Data is being transmitted / received.
LAN ports	Green ON	TX link is detected.
Green	Green Flashing	Data is being transmitted or received.
PoE ports	Amber ON	PSE is activated and PD is detected.
Amber	Amber OFF	PoE OFF

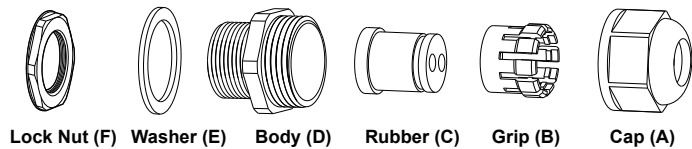
INSTALLATION

Use the included M8 hex socket screws to secure the power box to a pole-mount or corner mount bracket.

The mounting hole definition is illustrated below. The same mounting hole pattern apply to all pole-mount and corner-mount brackets.



ASSEMBLE CABLE GLANDS



- Thread the Cat5e/6 cable through the cap(A) & grip(B)
- Split rubber(C), rubber have one sizes for meet 5.4~6mm Cat5e/6 cable.
- Fit the split rubber(C) over the Cat5e/6 cable
- Thread the Cat5e/6 cable through the body(D)
- Assemble the washer to the body.
- Mount the nut to the assemblage.
- Tighten the cap and the body together as the illustration shows.
- Tighten the whole assemblage to the full. See the illustration.

All specifications are subject to change without notice.
Copyright © 2026 AETEK INC. All rights reserved.