

# XE10-110-TX



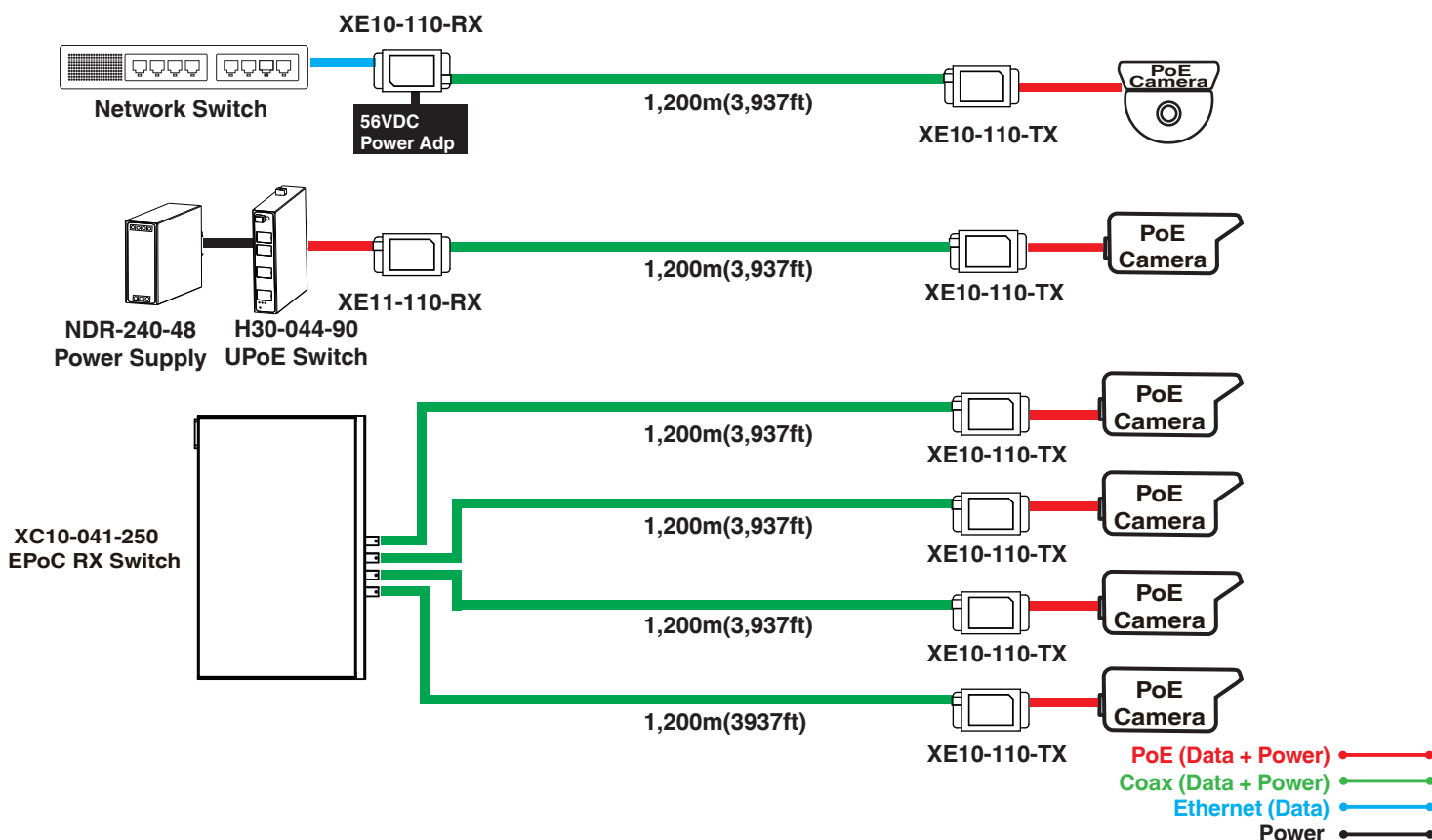
## 1-Port EPoC TX Adapter

The XE10-110-TX, a 1-to-1 EPoC (Ethernet & Power over Coax) transmitter(TX) equipped with 1 BNC port & 1 RJ-45 PoE port, is designed to connect a remote PoE IP camera over single coax without requiring extra power supply. This cutting-edge model delivers data and power at long range up to 1,200m for a PoE IP camera. Besides long-range PoE solution, XE10-110-TX is often used to upgrade legacy of CCTV to PoE IP surveillance without changing existing coaxial cable infrastructure.

### Features

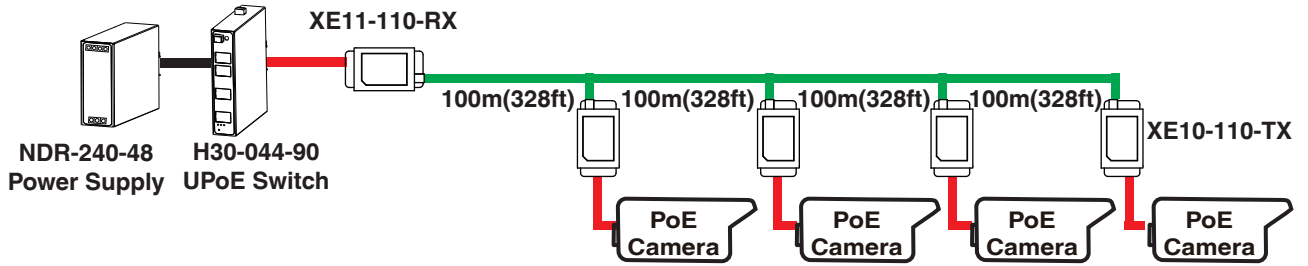
- One BNC coax port & one PoE LAN port
- Re-uses existing coax for a PoE IP camera
- Without requiring extra power adapter beside remote PoE IP camera
- Delivers up to 9.7 watts@1,200m(3,937ft) for a PoE IP camera
- PoE Output On/Off control

### Applications

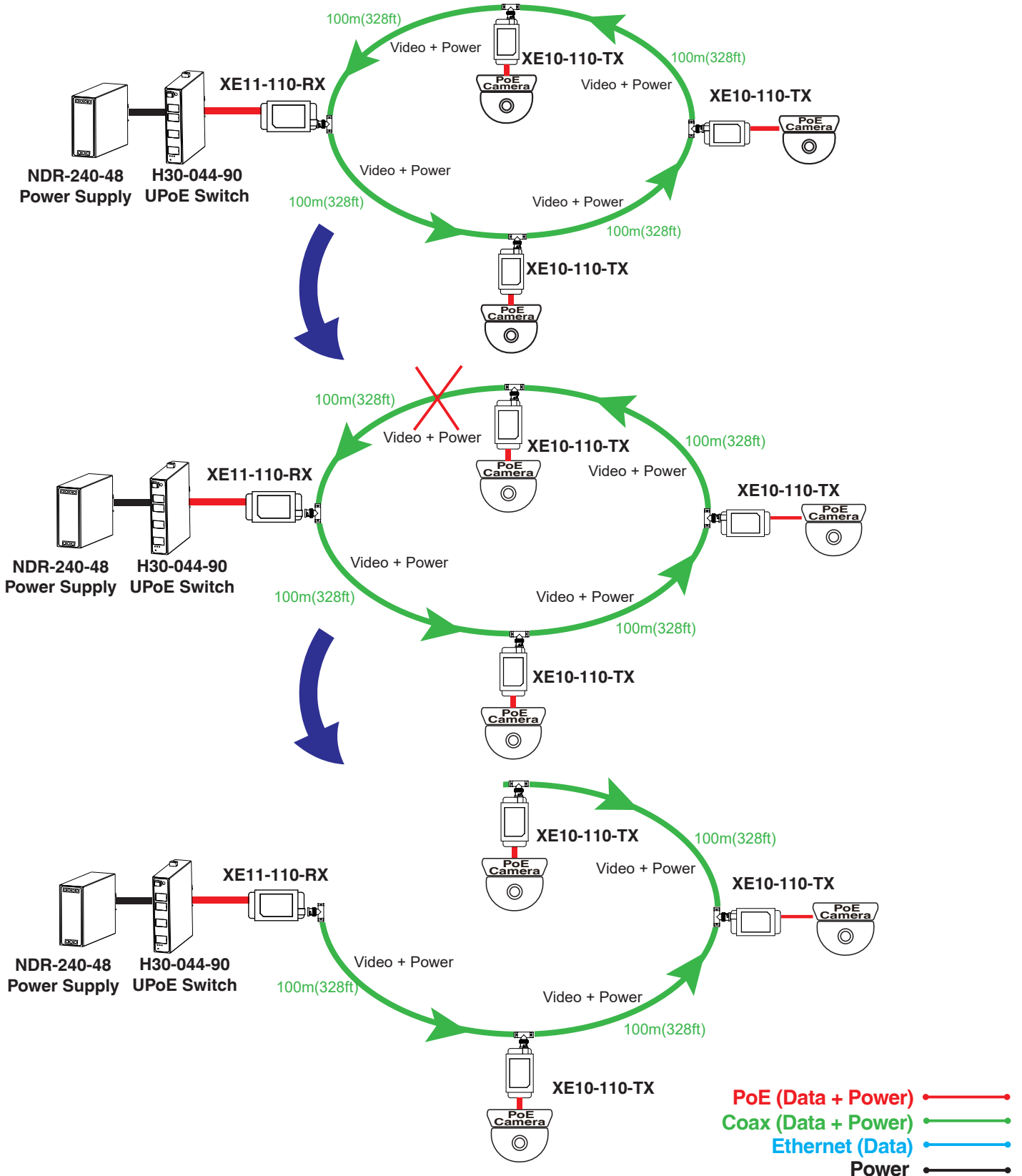


# Applications

## EPoC Daisy-chain



## EPoC Power & Video Failover



# Specifications

## Interface / Distance

|                           |                               |
|---------------------------|-------------------------------|
| Coaxial BNC               | 75 ohm x1                     |
| 10/100 Mbps Ethernet      | PoE PSE RJ45 x1               |
| Transmission mode         | Transmitter TX mode           |
| MAX.(Power+Data) Distance | 100Mbps, 9.7W@1,200m(3,937ft) |
| Cable Type                | 75 ohm RG59/RG6/RG11 Coax     |
| Bandwidth                 | 100 Mbps                      |

## Power Specifications

|                        |   |
|------------------------|---|
| Power Input            | EPoC@50~57VDC,<br>50~57 VDC power adapter   |
| Power Output           | Passive PoE<br>(Compliant IEEE 802.3af PoE) |
| Unit Power Consumption | 3 watts                                     |

## Physical Specifications

|                    |  |
|--------------------|--|
| Dimensions (LxWxH) | 85.4 x 47.1 x 23 mm (3.36x1.85x0.91")                |
| Weight             | 0.2 kg (0.44 lb)                                     |
| Connectors         | BNC x1, RJ45 x1, DC Jack x1,<br>PoE On/Off Switch x1 |
| Mounting Type      | Wall mount   |

## Environmental Specifications

|                       |                              |
|-----------------------|------------------------------|
| Operating Temperature | -20°C ~ 60°C (-28°F ~ 140°F) |
| Storage Temperature   | -20°C ~ 85°C (-28°F ~ 185°F) |
| Relative Humidity     | 5% ~ 95% non-condensing      |

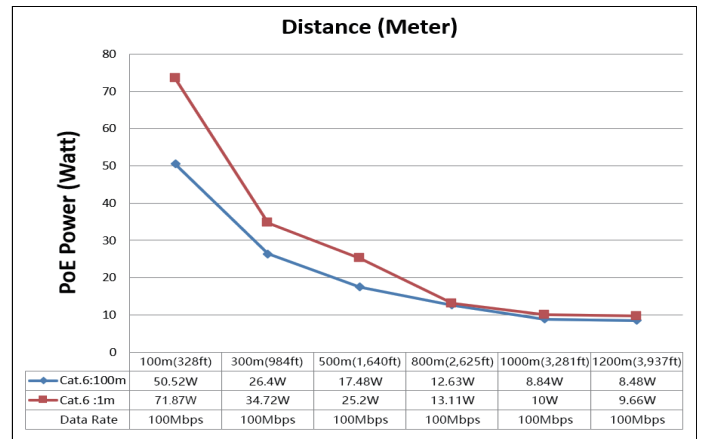
## Certifications

|     |                       |
|-----|-----------------------|
| EMC | CE, FCC, VCCI, C-Tick |
|-----|-----------------------|

## LEDs

|      |                               |
|------|-------------------------------|
| LAN  | Ethernet status               |
| PWR  | Power status                  |
| LINK | EPoC RX device connect status |
| POE  | PoE status                    |

# Power / Distance Chart



## Related Products

### EPoC RX Switch



XC10-041-250

- Four BNC coax ports & one Gigabit LAN port
- 6KV Surge Protection for coax port
- 250W Power Supply, 100~240VAC input

### EPoC (RX)



XE10-110-RX

- XE10-110 EPoC adapter(RX)
- 65W@56VDC power adapter



XE11-110-RX

- XE11-110 PoE EPoC adapter(RX)
- Supports 30W/60W/95W PoE Input

### Accessories



BNC-Y

- Y-type BNC Adapter



BNC-T

- T-type BNC Adapter