

Model	Description
I36-210	Indoor 60W IEEE 802.3 bt PoE output
I36-210-V2	Indoor 60W IEEE 802.3 bt PoE output
I39-210	Indoor 90W IEEE 802.3 bt PoE output
I39-210-V2	Indoor 90W IEEE 802.3 bt PoE output
I46-210	Outdoor 60W IEEE 802.3 bt PoE output

Model	Description
I49-210	Outdoor 90W IEEE 802.3 bt PoE output
I49-211	Outdoor 90W IEEE 802.3 bt PoE output
I69-210	Industrial Gigabit 90W bt PoE output
I69-210-V2	Industrial Gigabit 90W bt PoE output
I69-216	Industrial Gigabit 90W bt PoE output
I69-216-V2	Industrial Gigabit 90W bt PoE output

### PACKAGE CONTENTS

* 1x PoE injector	* 1x AC power cord ( Indoor type only)
* 1x Quick Installation Guide	

### CONNECTION

#### Installation Steps:

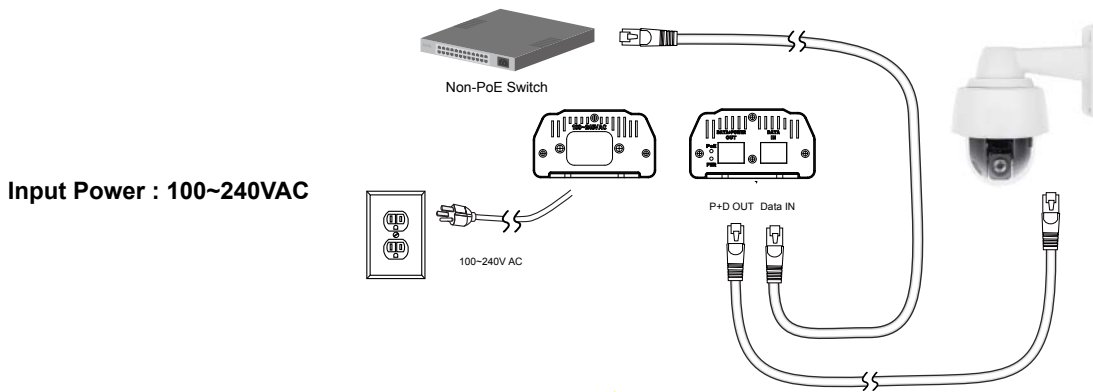
1. Connect the power cable to the injector. The Power LED (Yellow) should be lit.
2. Connect the Data IN port to a LAN switch using an Ethernet cable.
3. Connect the Power+Data OUT port to a powered device, i.e., IP camera, using another Ethernet cable. Make sure the PoE LED is lit.
4. Check if the powered device (IP camera) is working properly. An IP camera may take up to 1 or 2 minutes to power up.

### LED definitions

Power	Green ON: power good; OFF: power failed.
PoE	Amber ON: PD detected

### Application

#### I36-210 / I36-210-V2 / 39-210 / I39-210-V2

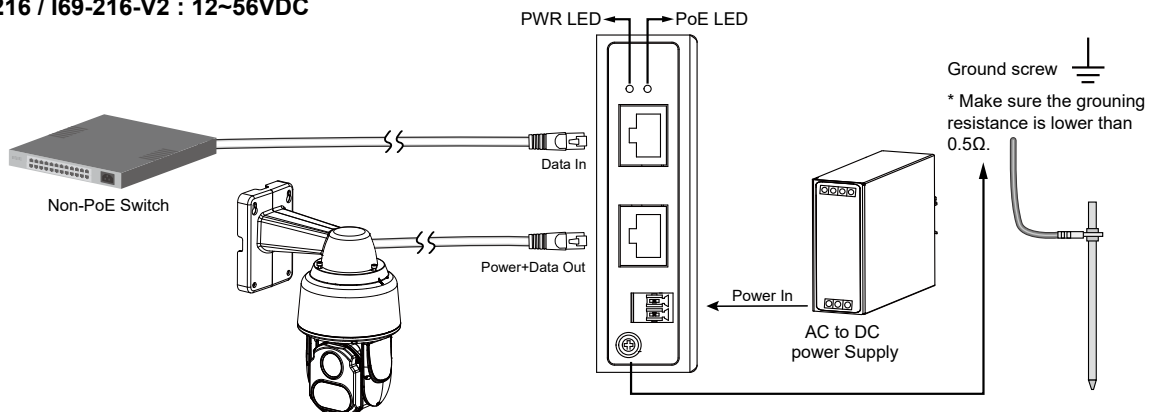


#### I69-210 / I69-210-V2 / I69-216 / I69-216-V2

#### Input Power :

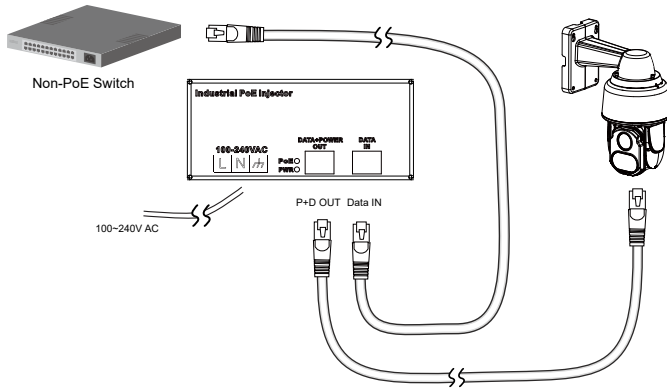
**I69-210 / I69-210-V2 : 48~56VDC for 802.3 at / af 52~56VDC for 802.3 bt**

**I69-216 / I69-216-V2 : 12~56VDC**

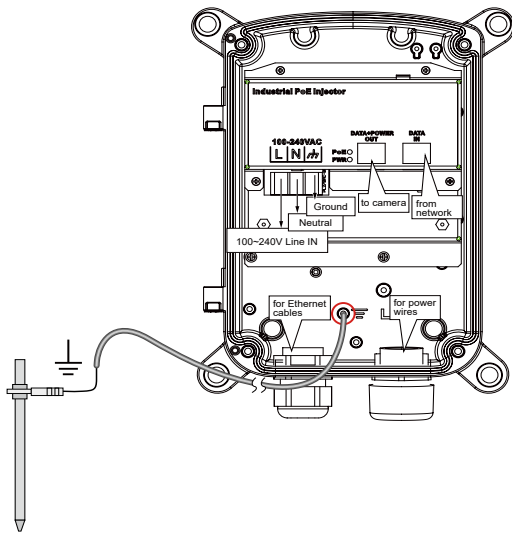


## Application

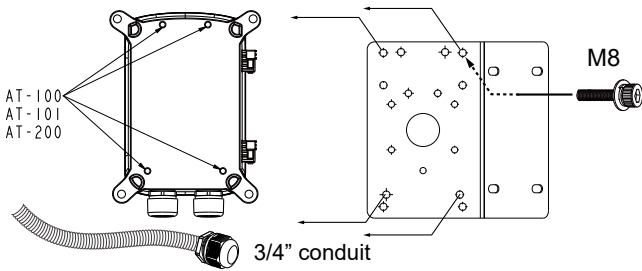
I46-210 / I49-210 / I49-211



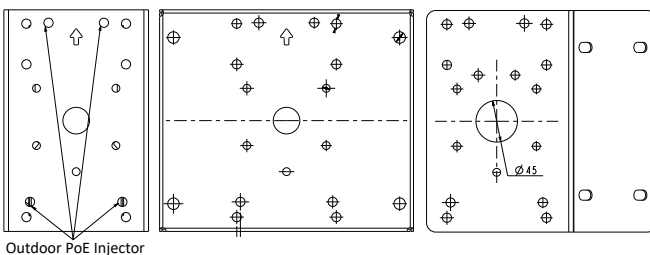
Route your power wires through a 3/4" conduit into the power box. The wiring scheme is shown below. The power supply converts 100~240V power to the 95W PoE output to IP cameras.



Use the included M8 hex socket screws to secure the power box to a pole-mount or corner mount bracket.

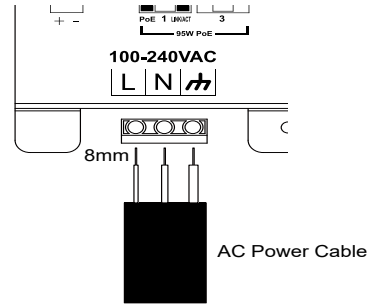


The mounting hole definition is illustrated below. The same mounting hole pattern apply to all pole-mount and corner-mount brackets.

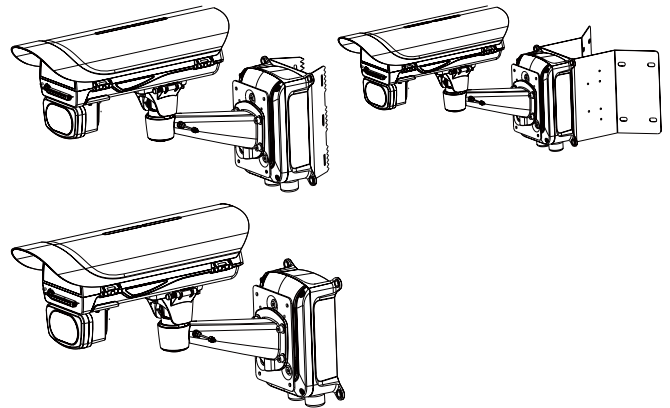


## AC Power Cable Spec.

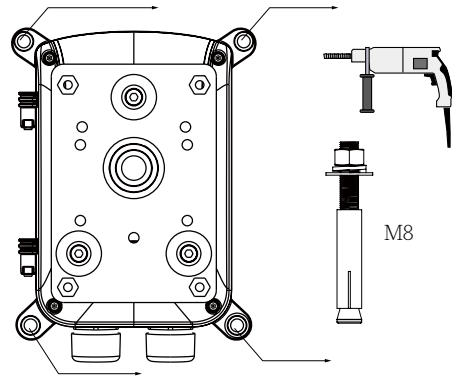
Wire Size	10~18AWG
Wire Strip Length	8mm



The power box can be mounted with the AT-100, AT-101 pole-mount, AT-200 corner-mount bracket, or directly secured to a wall. (I49-211 Only)



If the power box is directly mounted to wall, drill holes in a diameter of 9.5mm or 3/8", and 4cm deep. (I49-211 Only)



Use the following mounting positions for the camera housings (via BK-101 brackets). (I49-211 Only)

