

XE22-120-TX



Outdoor 2-Port EPoC TX Adapter

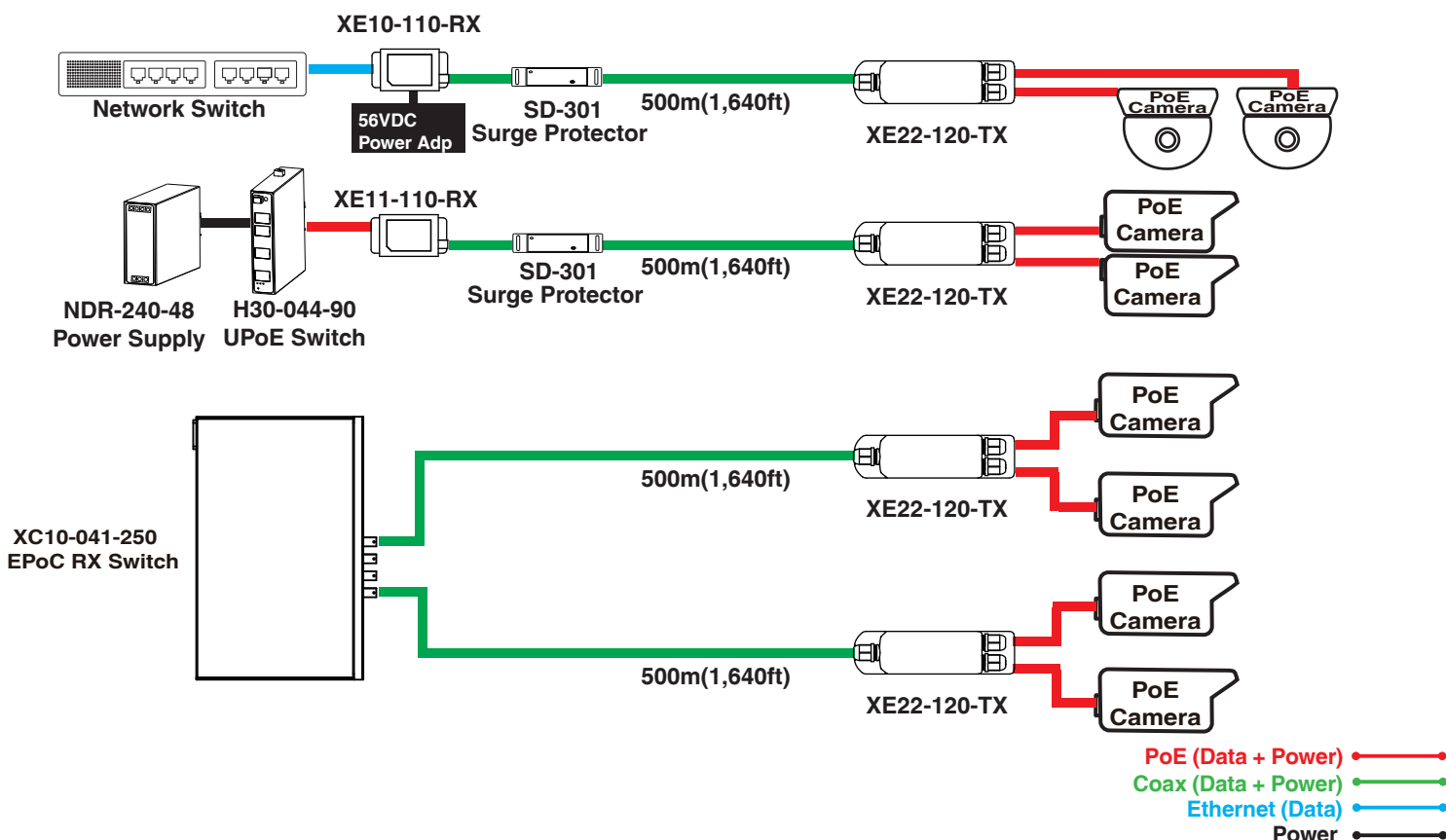
The XE22-120-TX, a 1-to-2 EPoC (Ethernet & Power over Coax) transmitter(TX) adapter equipped with 1 BNC port & 2-port PoE switch, is designed to connect 2 of remote PoE IP cameras over single coax without requiring extra power supply. This cutting-edge model delivers data and power at long range up to 500m with 25W PoE budget for 2 of PoE IP cameras remotely. Besides long-range PoE solution, XE22-120-TX is often used to upgrade legacy of CCTV to PoE IP surveillance without changing existing coaxial cable infrastructure.

Outdoor model supports built-in 6KV EPoC surge protection, IP67 rated, IK10 vandal proof, and operates under harsh weather conditions between -30°C ~ 60°C (-22°F ~ 140°F).

Features

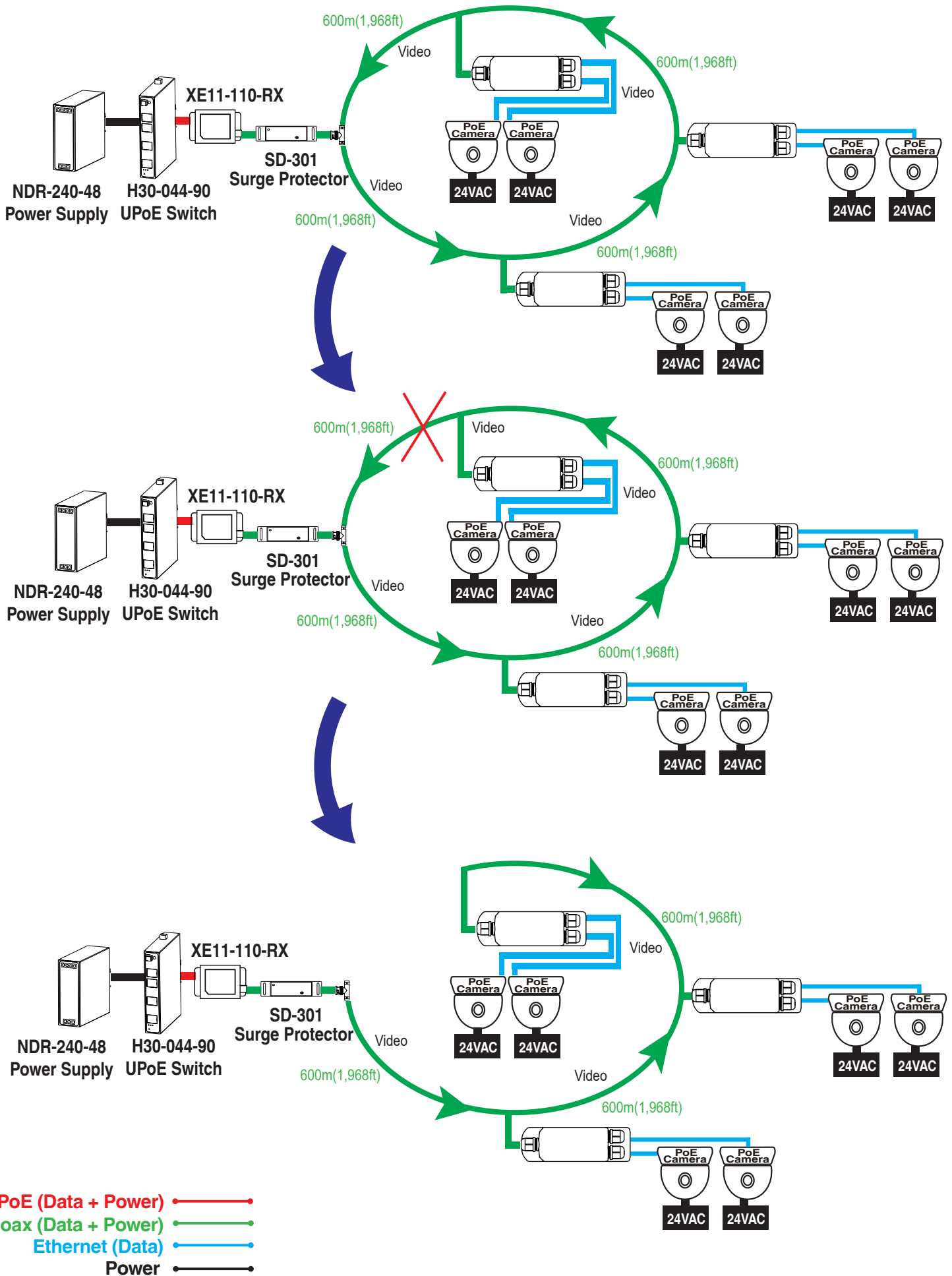
- One BNC coax port & two PoE LAN ports
- IP67 rated, IK10 vandal proof
- Built-in 6KV EPoC surge protection
- Without requiring extra power adapter beside remote PoE IP cameras
- Delivers up to 25 watts@500m(1,640ft) shared between two PoE IP cameras
- PoE Output On/Off control
- Re-uses existing coax for 2 of PoE IP cameras

Applications



Applications

EoC Video Failover



Specifications

Interface / Distance

| | |
|---------------------------|---|
| Coaxial BNC | 75 ohm x1 |
| 10/100 Mbps Ethernet | PoE PSE RJ45 x2 |
| Transmission mode | Transmitter TX mode |
| MAX.(Power+Data) Distance | 100Mbps, 25W@500m(1,640ft) shared between two PoE IP cameras 100Mbps@2,400m(7,874ft) Data only |
| Cable Type | 75 ohm RG59/RG6/RG11 Coax |
| Bandwidth | 600 Mbps |

Power Specifications

| | |
|------------------------|---|
| Power Input | EPoC@50~57VDC |
| Power Output | Passive PoE (Compliant IEEE 802.3af PoE) |
| Unit Power Consumption | 3 watts |
| EPoC Surge Protection | 6KV |

Physical Specifications

| | |
|--------------------|--|
| Weather Rating | IP67 |
| Vandal Proof | IK10 |
| Dimensions (LxWxH) | 167.5 x 72.8 x 39.8 mm (6.59x2.87x1.57") |
| Weight | 0.36 kg (0.79 lb) |
| Connectors | M25 x1(BNC), M25 x2(RJ45), PoE On/Off Switch x1 |
| Mounting Type | Wall mount |

Environmental Specifications

| | |
|-----------------------|------------------------------|
| Operating Temperature | -30°C ~ 60°C (-22°F ~ 140°F) |
| Storage Temperature | -40°C ~ 85°C (-40°F ~ 185°F) |
| Relative Humidity | 5% ~ 95% non-condensing |

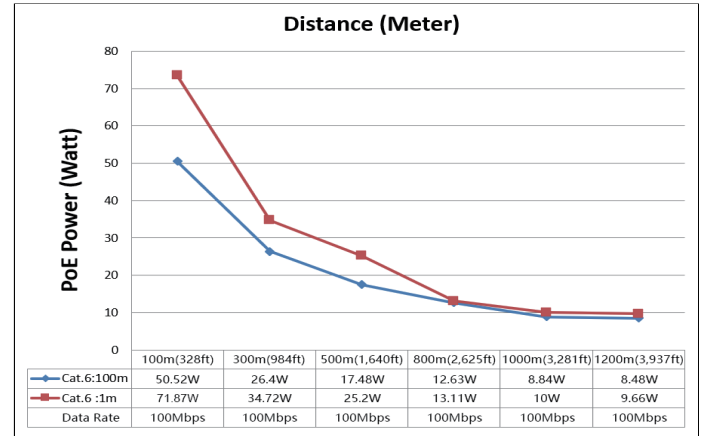
Certifications

| | |
|-----|-----------------------|
| EMC | CE, FCC, VCCI, C-Tick |
|-----|-----------------------|

LEDs

| | |
|-----|-------------------------------|
| LAN | Ethernet status |
| PWR | Power status |
| BNC | EPoC RX device connect status |
| POE | PoE status |

Power / Distance Chart



Related Products

EPoC RX Switch



XC10-041-250

- Four BNC coax ports & one Gigabit LAN port
- 6KV Surge Protection for coax port
- 250W Power Supply, 100~240VAC input

EPoC (RX)



- XE10-110-RX**
- XE10-110 EPoC adapter(RX)
 - 65W@56VDC power adapter



- XE11-110-RX**
- XE11-110 PoE EPoC adapter(RX)
 - Supports 30W/60W/95W PoE Input

Accessories



- BNC-YC**
- Y-Type BNC cable