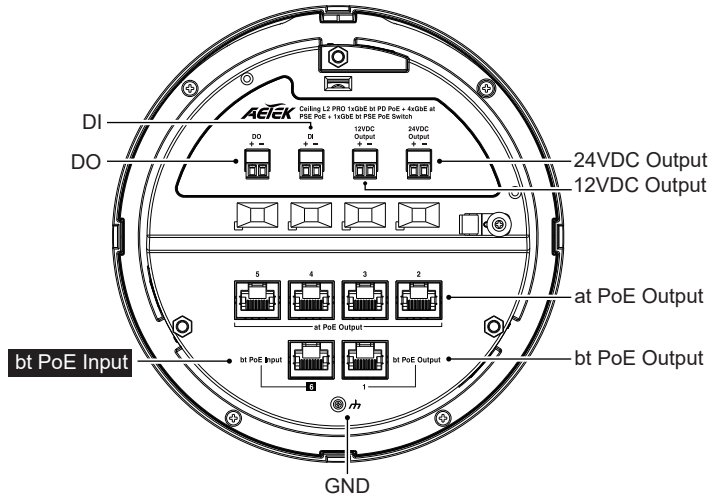
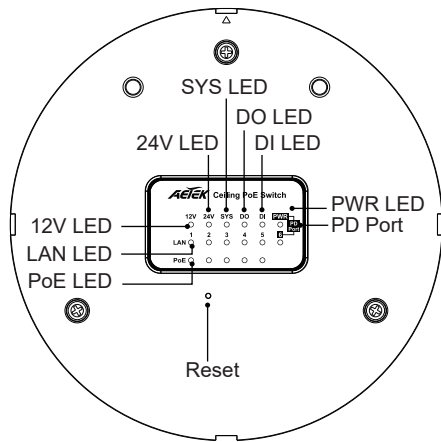


PACKAGE CONTENTS

* 1x PoE switch	* 1x Quick Installation Guide
-----------------	-------------------------------

CONNECTION

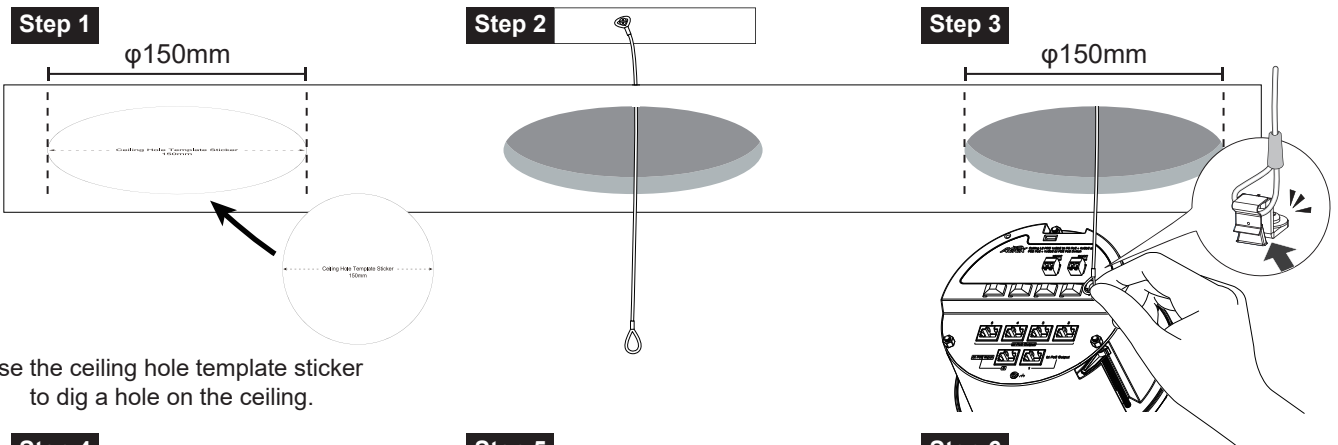


Installed on the system ceiling

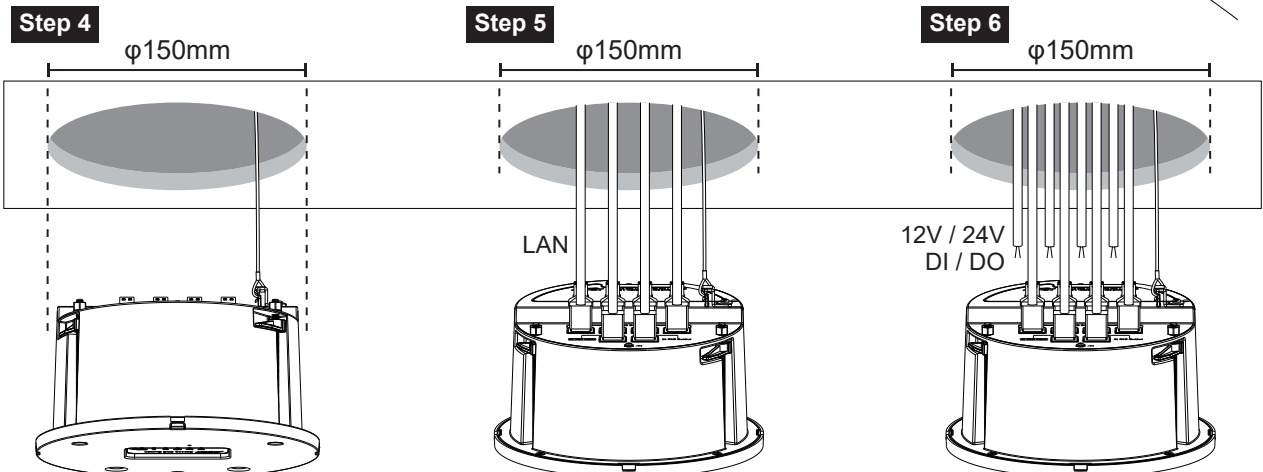
1. Attach the ceiling mount bracket to plasterboard, etc.

- It is recommended to add the fastening screw to the hole size of the ceiling, turn it with a screwdriver to install it. The ceiling thickness that can be connected with the clamping bracket is from 5 to 45 mm.
- The recommended screw torque is 7kgf-cm ± 3.
- Install on the ceiling with sufficient strength.
- If you have to install it on rock wool ceiling and other weak ceiling panels, please provide enough reinforcement.
- The recommended ceiling opening size is $\phi 150$ mm.
- The recommended minimum space (height) for ceiling switch installation is 140mm (For Installation and CAT5/6 cable routing.)

Installation Steps



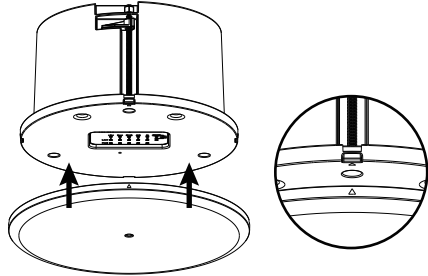
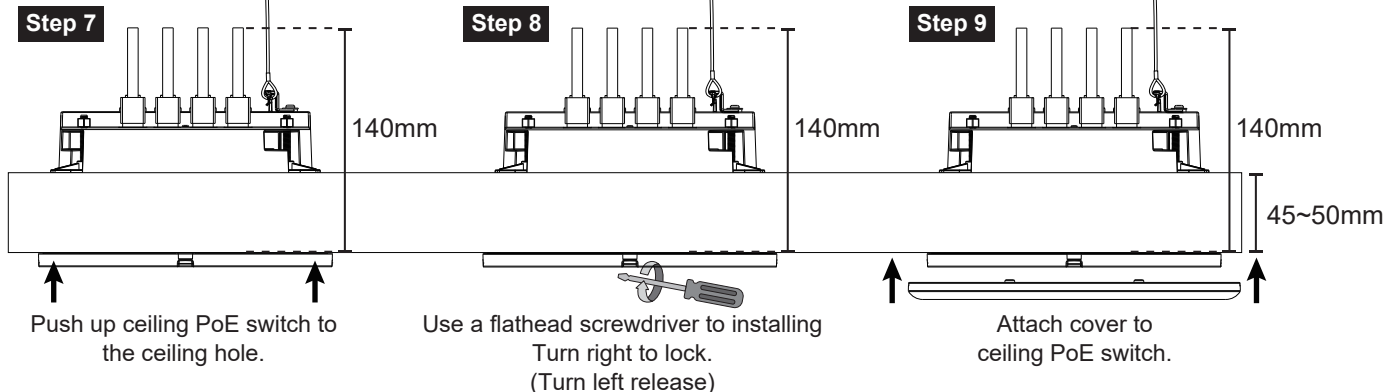
Use the ceiling hole template sticker to dig a hole on the ceiling.



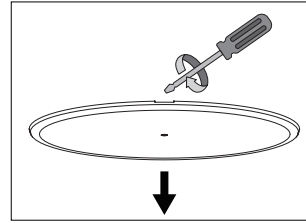
Recommend hole size for mounting ceiling PoE switch is $\phi 150$ mm.

Connect LAN cable to ceiling PoE switch.

Connect 12V / 24V / DI / DO cable to ceiling PoE switch.



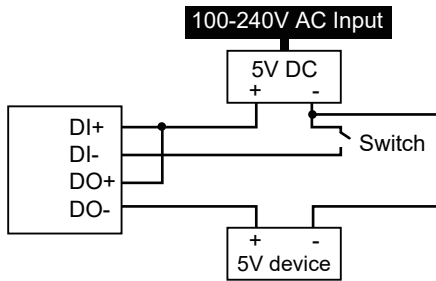
Align the triangle markings on the cover and the ceiling switch to snap the cover on the switch.



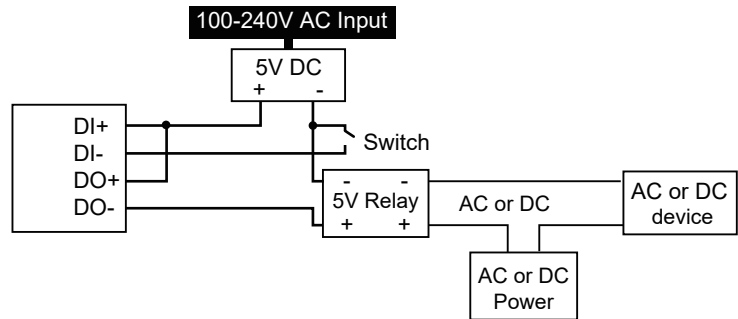
After installing this product on the ceiling, install the included panel. Pay attention to the installation direction, align the groove with the notch on the panel and install it correctly.

- Remove the panel with a flat-head screwdriver.

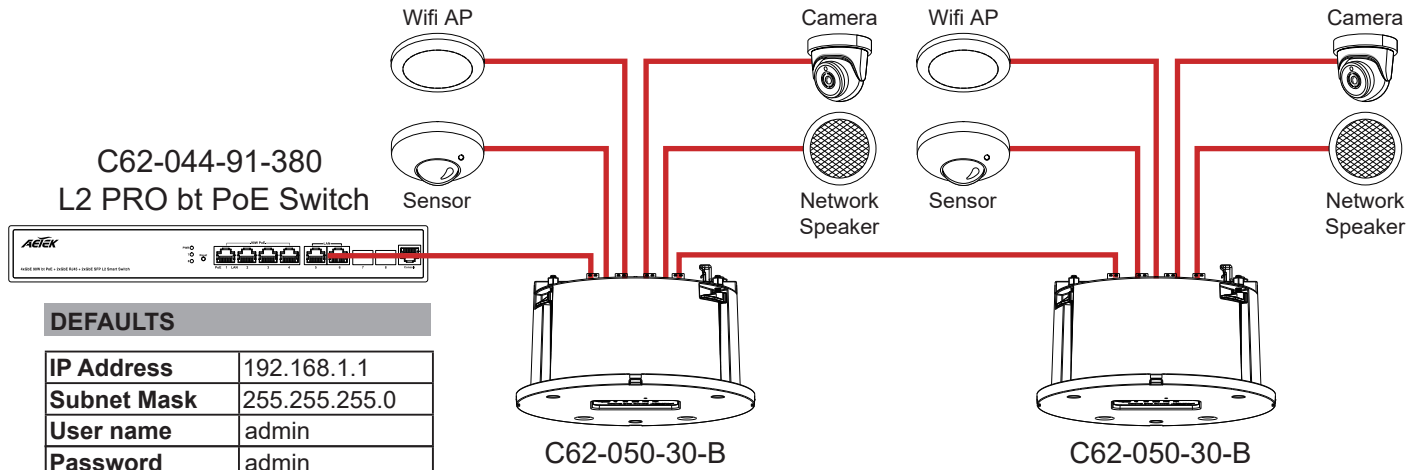
DI/DO Connection Diagram



DI/DO Connection Diagram w/ AC or DC Relay



- Ensure that all 12V DC, 24V DC, and DI/DO devices are properly connected before applying or turning on the DC input power. Connecting these devices after the power is on may result in malfunction or damage.



DEFAULTS

IP Address	192.168.1.1
Subnet Mask	255.255.255.0
User name	admin
Password	admin

LED DEFINITIONS

Power	Amber ON	The Power LED lights up when the switch is connected to a power source.
LAN	Green ON	Port is enabled and link established.
	Green Blinking	Port is transmitting and receiving data.
PoE	Amber ON	Indicates the PoE powered device (PD) is connected and the port supplies power successfully.
	Amber Off	Indicates no powered device (PD) connected.
SYS	Green ON	The System is ready.
12V	Amber ON	Have output 12V DC power.
24V	Amber ON	Have output 24V DC power.
DI	Green ON	The DI is received single.
DO	Green ON	The Do is enable.

Reset Button

Task	Press time	Port Status LED Behavior
Restart	2 ~ 7 seconds	All LEDs are OFF
Restore default	7 ~ 12 seconds	All LEDs stay ON