

TE11-110-RX



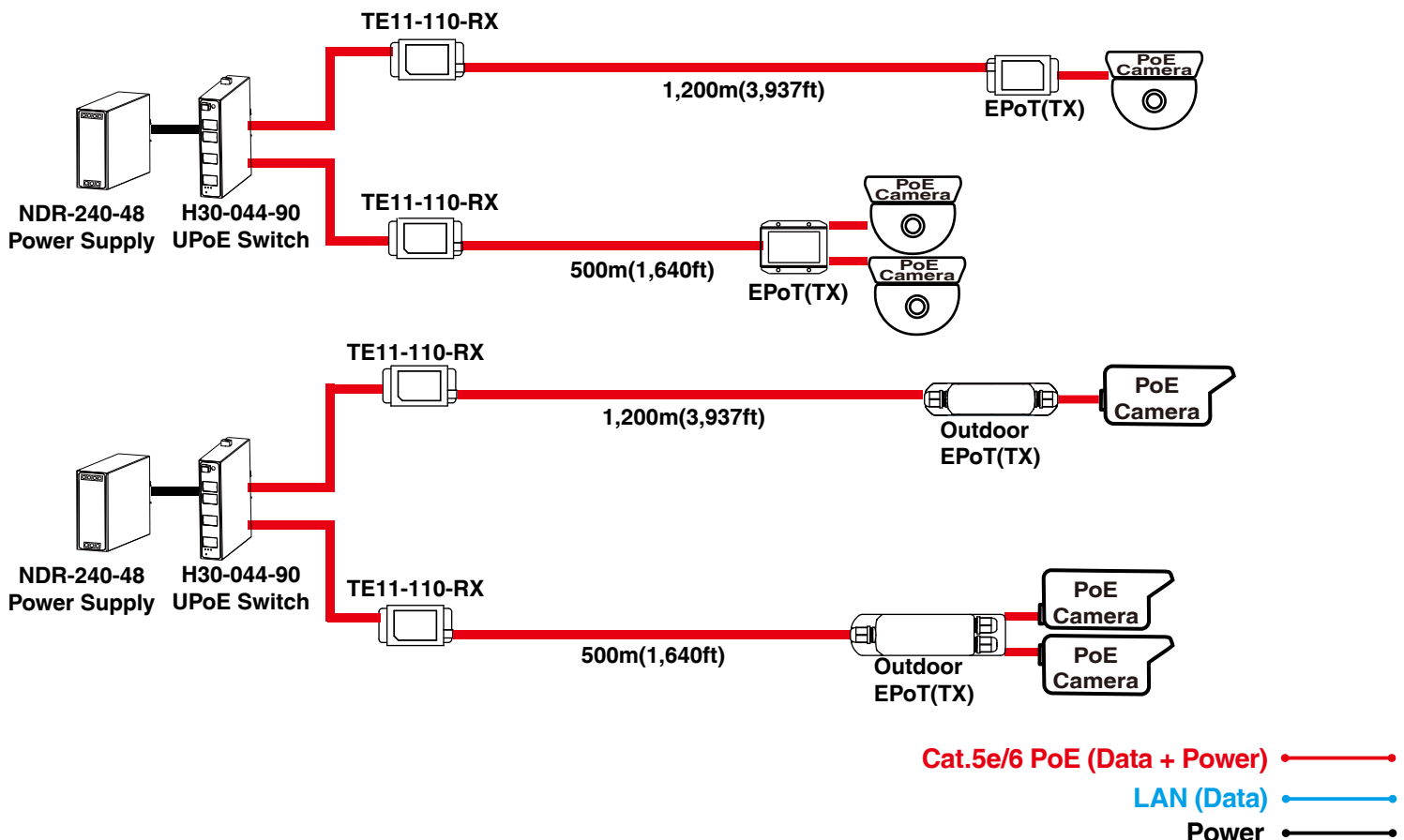
1-Port PoE PD EPoT RX Adapter

TE11-110-RX is an EPoT (Ethernet & Power over UTP/STP Cable) receiver(RX) equipped with 1 EPoT port & 1 PoE PD LAN port. This cutting-edge model allows all of the power for the link to be sourced from a PoE switch or PoE injector. UPoE PSE (>=60W) is recommended for a long range PoE solution providing data & power to EPoT TX adapter and PoE IP camera over single UTP/STP cable up to 1,200m (3,937ft).

Features

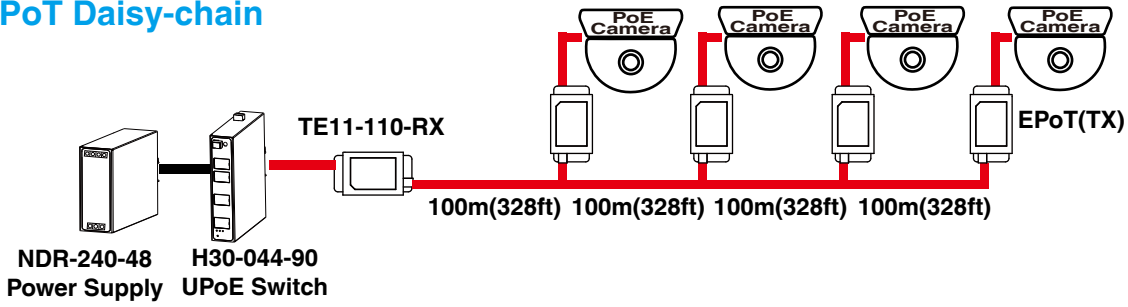
- One RJ45 EPoT port & one 10/100Mbps LAN PoE PD port
- Without requiring extra power adapter
- Extends PoE to Transmitter(TX) and PoE IP camera
- Long-range IP data & PoE over 4-pair/2-pair/1-pair UTP /STP cat.5e/6 cables
- Supports peer-to-peer, daisy-chain, and failover Ring topologies
- Eliminates the need for intermediate Ethernet switches & power supplies for long-range deployment
- Plug-and-Play connection
- Optional 19" 8-bay rack mount chassis(CH-110)

Applications

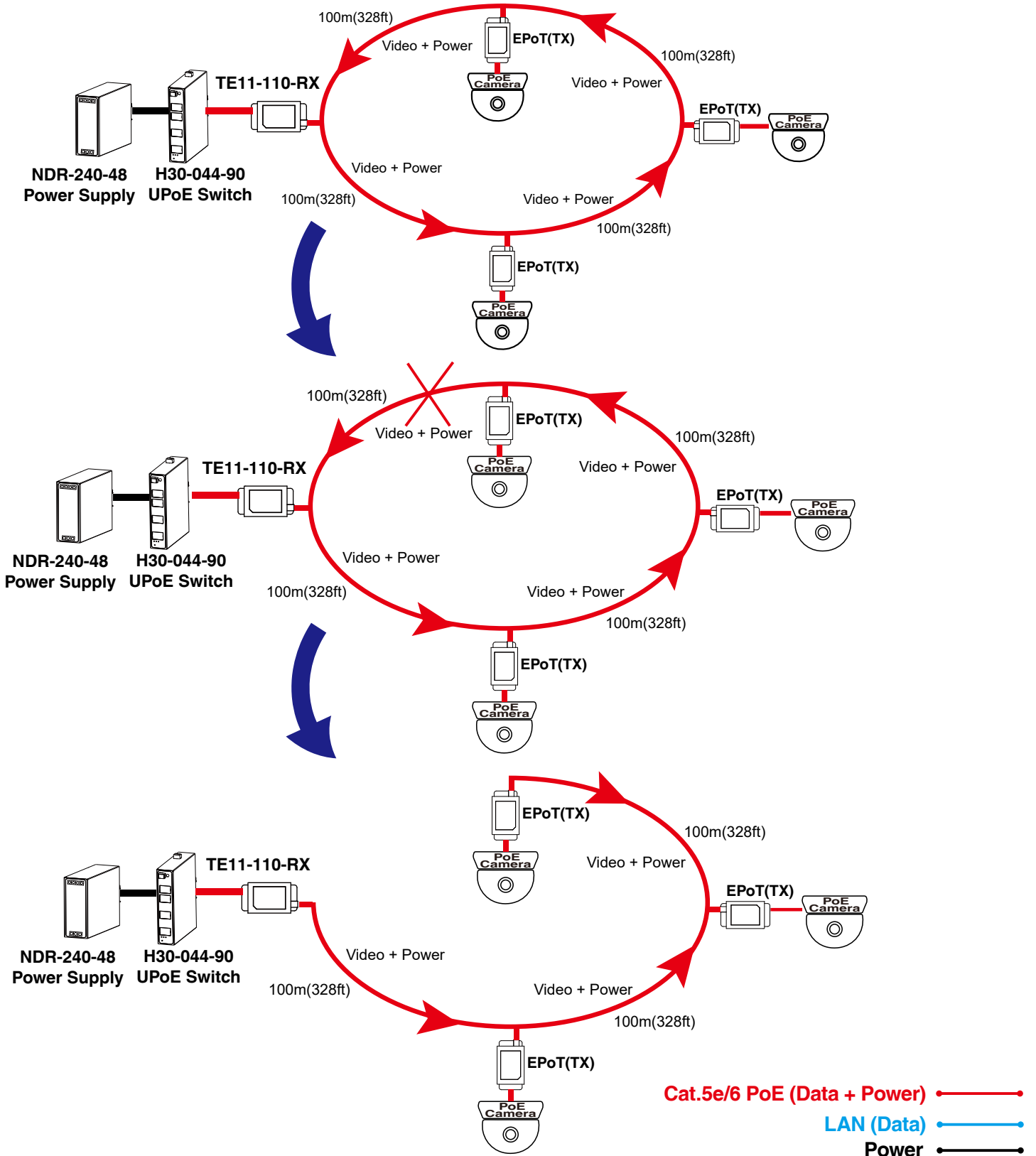


Applications

EPoT Daisy-chain



EPoT Power & Video Failover



Specifications

Interface / Distance

EPoT Port	RJ45 x1
10/100 Mbps Ethernet	PoE PD RJ45 x1
Transmission mode	Receiver RX mode
Maximum TX quantity	7
MAX.(Power+Data) Distance	100Mbps, 9.7W@ 1,200m(3,937ft)
Cable Type	UTP/STP cat.5e/6 Cable
Bandwidth	100 Mbps

Power Specifications

Power supply	Optional : I36-100 : 60W UPoE Injector H30-044-90 : 60W/95W UPoE Switch
PoE Input	Support 30W/60W/95W PoE
PoE Pass Through	Support
Unit Power Consumption	3 watts
EPoT Surge Protection	6KV

Physical Specifications

Dimensions (LxWxH)	102.9x48.9x23.35mm (4.05x1.93x0.92")
Weight	0.2 kg (0.44 lb)
Connectors	EPoT RJ45 x1, POEPD LAN RJ45 x1
Mounting Type	Wall mount

Environmental Specifications

Operating Temperature	-20°C ~ 60°C (-28°F ~ 140°F)
Storage Temperature	-20°C ~ 85°C (-28°F ~ 185°F)
Relative Humidity	5% ~ 95% non-condensing

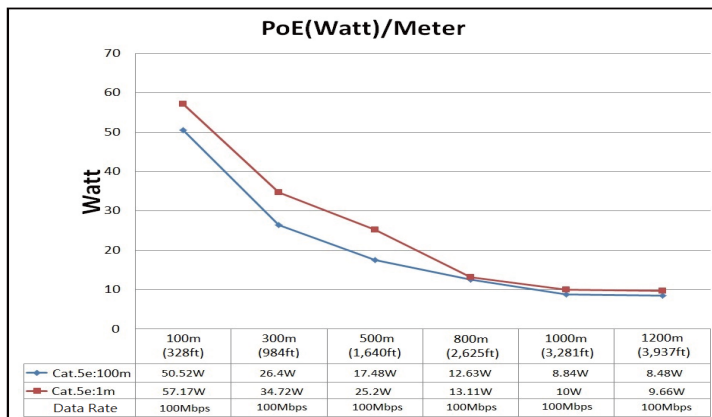
Certifications

EMC	CE, FCC, VCCI, C-Tick
Safety	EN60950-1

LEDs

LAN	Ethernet status
PWR	Power status
LINK	EPoT TX device connect status
POE	PoE status

Power / Distance Chart



Related Products

EPoT (TX)



TE10-110-TX
• 1-to-1 EPoT adapter(TX)



TE12-120-TX
• 1-to-2 EPoT adapter(TX)



TE22-110-TX
• 1-to-1, Outdoor EPoT adapter(TX)with IP67 / IK10 protection



TE22-120-TX
• 1-to-2, Outdoor EPoT adapter(TX) with IP67 / IK10 protection

EPoT Camera Housing (TX)



A5000-T
• EPoT Camera Housing



A5100-T
• EPoT Camera Housing
• Germanium window



A5020-T
• EPoT Camera Housing with IR illuminator (MAX: 50m)

Accessories



CH-110-V2
• 19", 1U 8-bay rack mount chassis