

INTRODUCTION

The C60-244-30-600U is a 24 port 10/100/1000BaseT L2 PRO Managed PoE Switch capable of feeding 15.4/30W (54V max.per port) power to Power over Ethernet (PoE) devices. It comes with 2xGbE Combo RJ45/SFP + 2xGbE SFP port. The switch is capable of a total of 370 Watts power budget

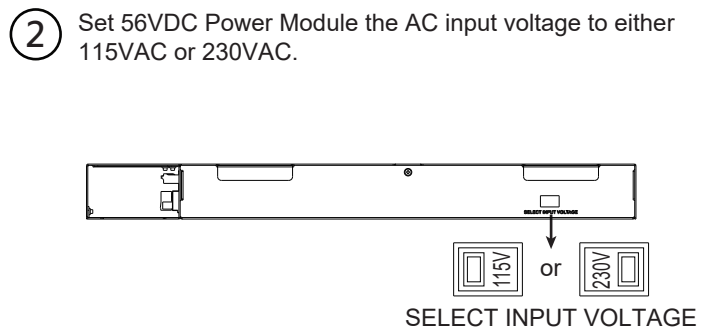
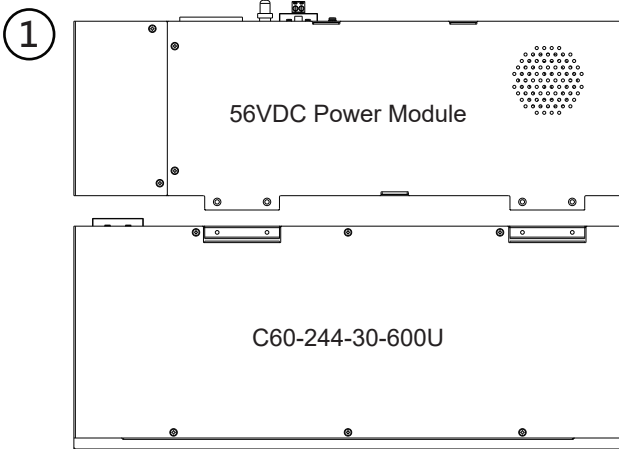
PACKAGE CONTENTS

* 1x PoE switch	* 1x Quick Installation Guide	* 1x C60U Power Cable
* 2x rack mount ears	* 1x power cord (type by the shipped-to area)	* 1x C60U Uart Cable

⚠ IMPORTANT:

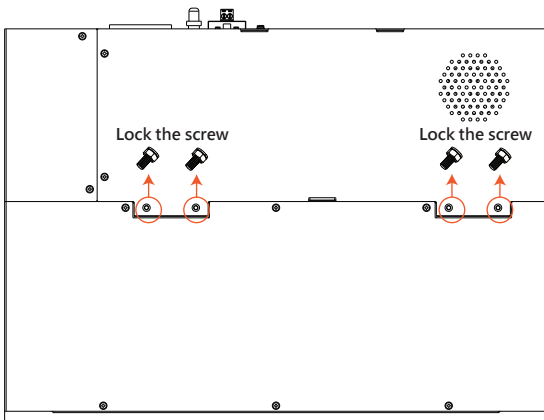
1. Install the PoE switch in a ventilated and dry place that is free of electromagnetic source, vibration, moisture, and dust.
2. Make sure the ventilation openings on the switch are not blocked.
3. Use CAT5 or 5e UTP/STP cables.
4. C60-244-30-600U 56VDC input
5. 56VDC Power Module AC input (90-132V/AC or 180-264V/AC, 50~60Hz, 7A)

INSTALLATION

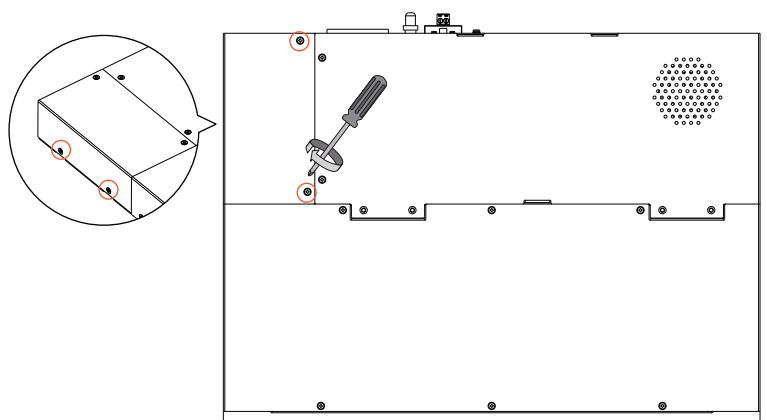


⚠ If the voltage is different, it may cause the power module to burn out.

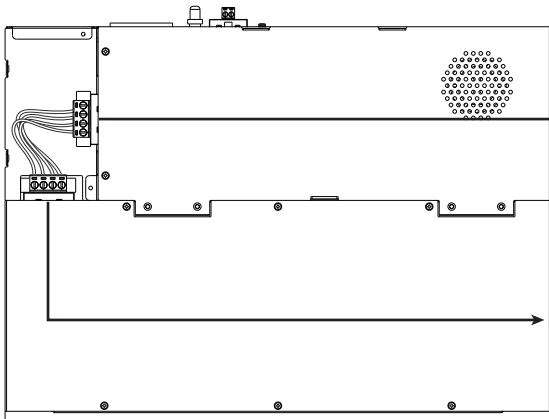
- ③ Install the 56VDC Power Module onto the C60-244-30-600U and secure it with M4 screws.



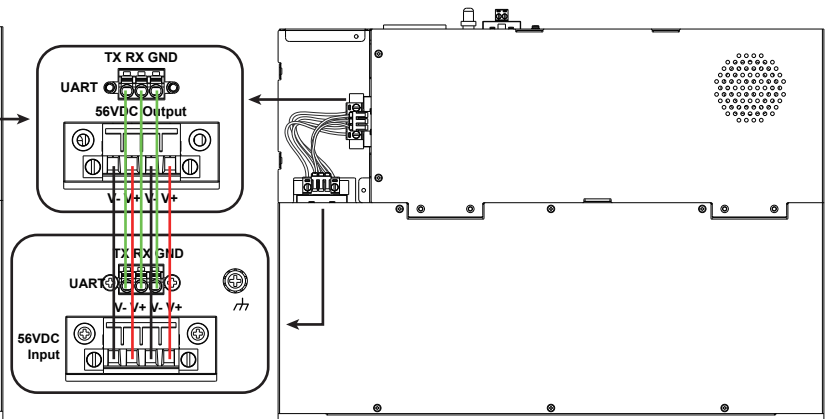
- ④ Remove the screws on the top and side of the 56VDC Power Module and take off the cover.



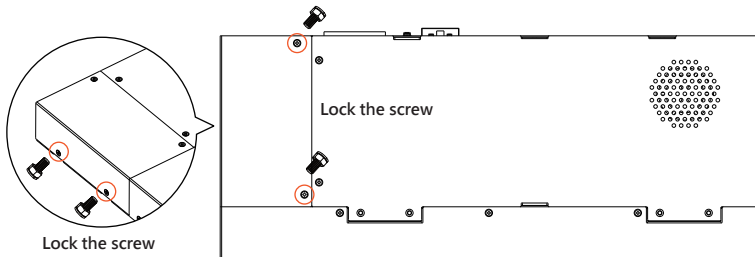
- ⑤ Connect the C60-244-30-600U and the 56VDC Power Module using the C60U Power Cable.



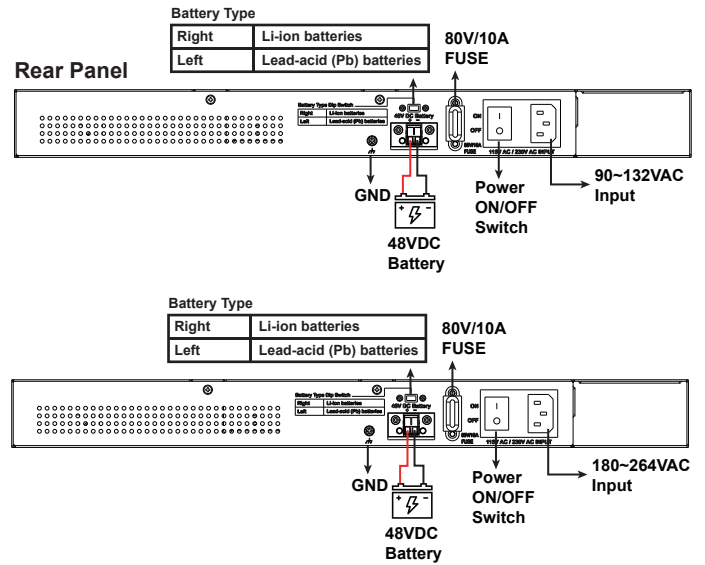
- ⑥ Connect the C60-244-30-600U and the 56VDC Power Module using the C60U UART Cable.



7 Put the side cover back on and secure it with M4 screws.

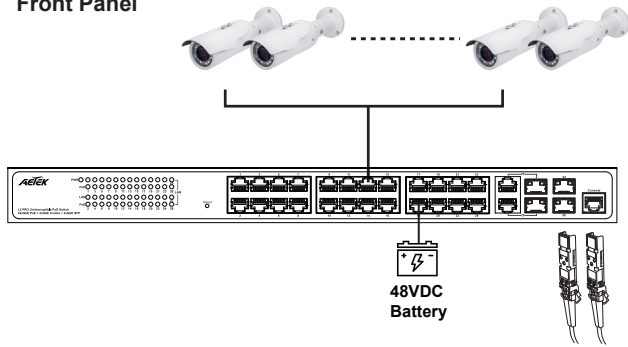


8 Connect the 48VDC battery and select the battery type as either Li-ion or lead-acid. Then, connect the AC power cord.

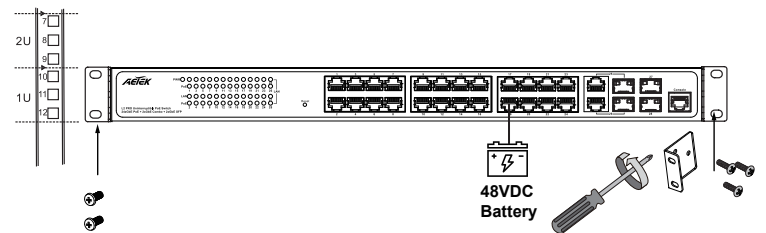


CONNECTION

Front Panel



Front rack posts



DEFAULTS

IP Address	192.168.1.1
Subnet Mask	255.255.255.0
User name	admin
Password	admin

Console Port Defaults

Baud rate	115200
Stop bits	1
Data bits	8
Parity	N
Flow control	none

LED DEFINITIONS

Power	Green ON	The Power LED lights up when the switch is connected to a power source.
LAN	Green ON	Port is enabled and link established with a device at the 1000Mbps speed.
	Green Blinking	Port is transmitting and receiving data at the 1000Mbps speed.
	Amber ON	Port is enabled and link established with a device at the 100Mbps speed.
	Amber Blinking	Port is transmitting and receiving data at the 100Mbps speed.
PoE	Green ON	Indicates the PoE powered device (PD) is connected and the port supplies power successfully.
	Light Off	Indicates no powered device (PD) connected.

Reset Button

Task	Press time	Port Status LED Behavior
Restart	2 ~ 7 seconds	All LEDs are OFF
Restore default	7 ~ 12 seconds	All LEDs stay ON

All specifications are subject to change without notice.
Copyright © 2025 AETEK INC. All rights reserved.