

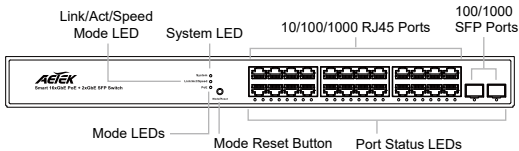
C50 Series - L2 Gigabit Ethernet PoE Switch Model List

Model	Description
C50-082-30-130	8xGbE PoE +2xGbE SFP, 100~240VAC, 130W power budget
C50-162-30-250	16xGbE PoE +2xGbE SFP, 100~240VAC, 250W power budget
C50-242-30-370	24xGbE PoE +2xGbE SFP, 100~240VAC, 370W power budget

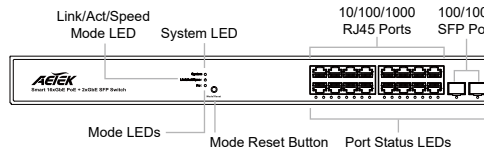
PACKAGE CONTENTS

* 1x PoE switch	* 1x Quick Installation Guide	* 4x rubber feet
* 2x rack mount ears	* 1x power cord (type by the shipped-to area)	

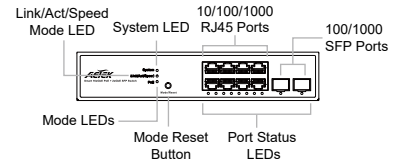
C50-242-30-370



C50-162-30-250



C50-082-30-130



LED DEFINITIONS

System	Green ON	Power is on and normal.
	Green OFF	The switch is not receiving power.
	Red ON	An abnormal state, such as exceeding operation temperature, has been detected in the switch.
Link/Act/Speed	Green ON	The port Status LEDs displaying link status, network activities, and speed on each port.
PoE	Green ON	The RJ45 port status LEDs display PoE powering statuses on each port.
RJ45 ports SFP ports	Green ON	Port is enabled and link established with a device at the 1000Mbps speed.
	Green Blinking	Port is transmitting and receiving data at the 1000Mbps speed.
	Amber ON	Port is enabled and link established with a device at the 100Mbps speed.
	Amber Blinking	Port is transmitting and receiving data at the 100Mbps speed.
PoE Mode RJ45 ports	Green ON	Port is enabled and supplying power to PD.
	Amber ON	An abnormal state detected, such as overload.

DEFAULTS

IP Address	192.168.1.1
Subnet Mask	255.255.255.0
User name	admin
Password	admin

Mode/Reset Button

Task	Press time	System LED Behavior	Port Status LED Behavior
Change LED Mode	0 ~ 2 seconds	Green ON	LED status will be changed according to the mode selected
Restart	2 ~ 7 seconds	Green Blinking	All LEDs are OFF
Restore defaults	7 ~ 12 seconds	Green Blinking	All LEDs stay ON

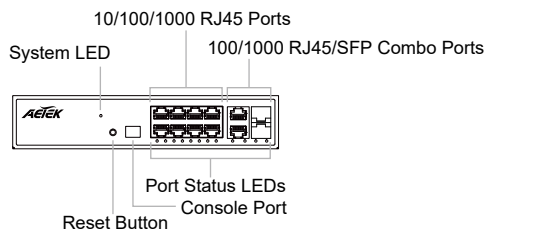
C70 Series - L2+ Gigabit Ethernet Switch Model List

Model	Description
C70-00A-01	8xGbE + 2xCombo GbE (SFP & RJ45), 100~240VAC
C70-00B-01	2xGbE RJ45 + 12xGbE SFP + 2x1G/10G SFP+, 100~240VAC, 24-48VDC
C70-00E-01	24xGbE + 2xCombo GbE (SFP & RJ45), 100~240VAC
C70-00F-01	20xGbE SFP + 4xCombo GbE (SFP & RJ45) + 4x1G/10G SFP+, 100~240VAC, 24-72VDC

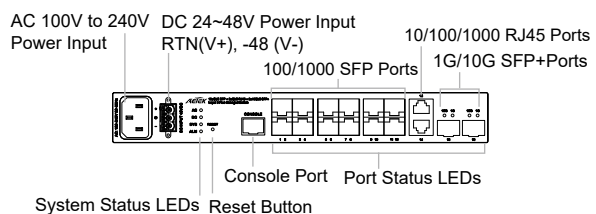
PACKAGE CONTENTS

* 1x L2+ switch	* 1x Quick Installation Guide	* 4x rubber feet
* 2x rack mount ears	* 1x power cord (type by the shipped-to area)	* 1x RS232 console cable

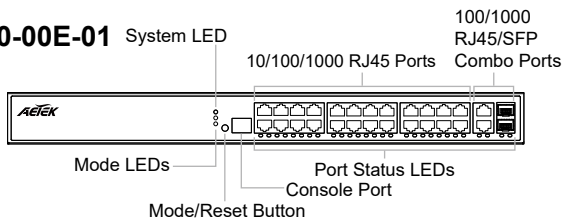
C70-00A-01



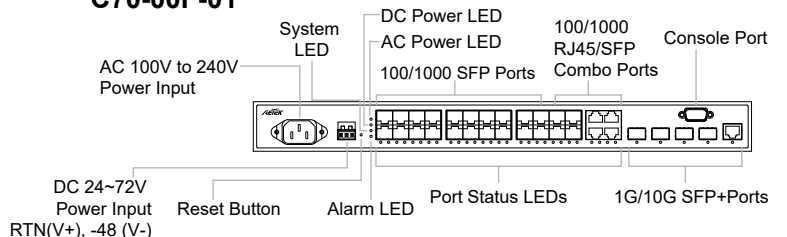
C70-00B-01



C70-00E-01



C70-00F-01



C70 Series - L2+ Gigabit Ethernet Switch Model

LED DEFINITIONS

PWR AC	Green	Lit when power is on
PWR DC	Green	Lit when power is on
SYS	Green ON	Blinking when system is booting. Lit when system is coming up.
ALARM	Red	Always off; until any message about system errors turns the light on.

Below are the LEDs for the Ethernet and SFP+ ports:

SFP port	Green / Amber	Light when Fiber connection with remote device is good. Blinks when any traffic is present. The light is green when linking up 1Gbps. The light is Amber when linking up 100Mbps.
RJ45 port	Green / Amber	Blinks when any traffic is present. The light is green when linking up 1Gbps. The light is Amber when linking up 10/100Mbps.
SFP+	Blue / Green Green / Amber	Blinks when any traffic is present. The light is blue/green when linking up 10Gbps. The light is green/amber when linking up 1Gbps.

DEFAULTS

IP Address	192.168.1.1	Baud rate	115200
Subnet Mask	255.255.255.0	Stop bits	1
User name	admin	Data bits	8
Password	admin	Parity	N
		Flow contro	none

Mode/Reset Button

Task	Press time	System LED Behavior	Port Status LED Behavior
Restart	2 ~ 7 seconds	Green Blinking	All LEDs are OFF
Restore defaults	7 ~ 12 seconds	Green Blinking	All LEDs stay ON

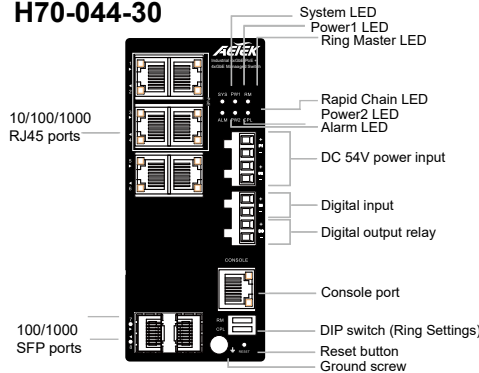
H70 Series - Industrial L2+ Gigabit Ethernet PoE Switch Model List

Model	Description
H70-044-30	Industrial 4xGbE PoE (30W) + 2xGbESFP + 2xGbE RJ45
H70-044-60	Industrial 4xGbE UPoE (60W) + 2xGbE SFP + 2xGbE RJ45
H70-084-30	Industrial 8xGbE PoE (30W) + 4xGbESFP

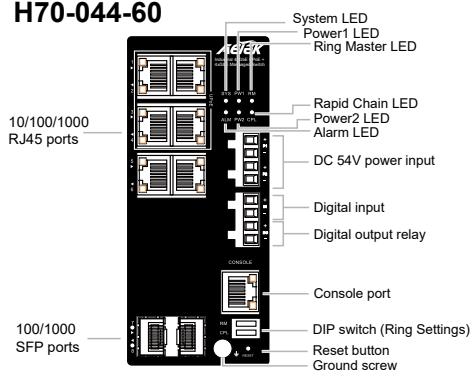
PACKAGE CONTENTS

* 1x PoE switch	* 1x Quick Installation Guide	* 2x 4-pin terminal block	* 1x RS232 console cable	* 1x DIN rail bracket
-----------------	-------------------------------	---------------------------	--------------------------	-----------------------

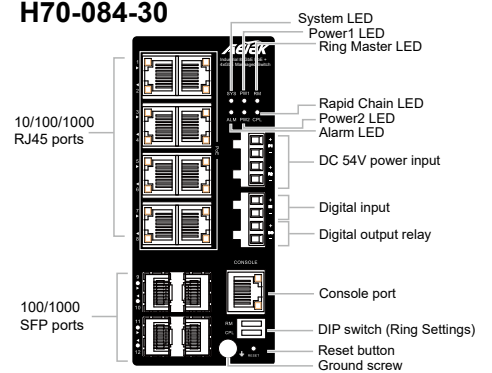
H70-044-30



H70-044-60



H70-084-30

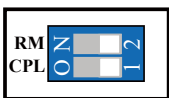


LED DEFINITIONS

NOTE: Digital output (relay): 24VDC/1A. Digital input: level 0(Low) -> 0V to 6V, level 1(High) -> 10V to 24V.

RJ45 port Up	Green / Amber	Blinks when any traffic is present. The light is green when linking up 1Gbps. The light is Amber when linking up 10/100Mbps.
RJ45 port Down	Green / Amber	Green is port enabled and supplying power to connected device. Amber is An abnormal state, such as overload status.
SFP Ports	Green / Amber	Blinks when any traffic is present. The light is green when linking up 10Gbps. The light is amber when linking up 1Gbps.
Power	Green	Powered on correctly is ON.
System	Green	Switch ready is ON.
Alarm	Red	Abnormal state, such temperature, voltage, or DC power, has occurred is ON.

DIP Switch



RM: Ring Master
CPL: Rapid Chain

LED	Color	State	Description
RM (Ring Master)	Green	On	Ring Master has been detected in the switch.
	Amber	On	Ring Member has been detected in the switch.
	--	Off	Disable
CPL (Rapid Chain)	Green	On	Rapid Chain has been detected in the switch. (Active path)
	Amber	On	Rapid Chain has been detected in the switch. (Backup path)
		Blinking	Error: There is no correspondent Rapid Chain Switch found.
	--	Off	Disable

DEFAULTS

IP Address	192.168.1.1	Baud rate	115200
Subnet Mask	255.255.255.0	Stop bits	1
User name	admin	Data bits	8
Password	admin	Parity	N
		Flow contro	none

Mode/Reset Button

Task	Press time	System LED Behavior	Port Status LED Behavior
Restart	2 ~ 7 seconds	Green Blinking	All LEDs are OFF
Restore defaults	7 ~ 12 seconds	Green Blinking	All LEDs stay ON