



# Quick Installation Guide

## Industrial GbE PoE Switch

P/N: A625012700G

Model	Description	Model	Description
H30-042-30	4xGbE 30W PoE + 1xGbE RJ45 + 1xGbE SFP	H32-042-30	4xGbE 30W PoE + 1xGbE (24VDC/56VDC) PoE + 1xGbE SFP
H30-044-30	4xGbE 30W PoE + 2xGbE RJ45 + 2xGbE SFP	H36-042-30	4xGbE 30W PoE + 1xGbE RJ45 + 1xGbE SFP
H30-044-90	4xGbE 95W PoH PoE + 2xGbE RJ45 + 2xGbE SFP	H36-044-90	4xGbE 95W PoH PoE + 2xGbE RJ45 + 2xGbE SFP
H30-044-91	4xGbE 90W bt PoE + 2xGbE RJ45 + 2xGbE SFP	H36-044-91	4xGbE 90W bt PoE + 2xGbE RJ45 + 2xGbE SFP
H30-082-30	8xGbE 30W PoE + 2xGbE SFP	H36-082-30	8xGbE 30W PoE + 2xGbE SFP

### PACKAGE CONTENTS

* 1x PoE switch	* 1x Quick Installation Guide	* 2x 2pin terminal block
* 1x DIN rail bracket		

### ⚠ IMPORTANT:

1. Install the PoE switch in a ventilated and dry place that is free of electromagnetic source, vibration, moisture, and dust.
2. Make sure the ventilation openings on the switch are not blocked.
3. Use fiber optic cables and transceiver compliant with the following: Multi-mode: 50/125um, 62.5/25um, 850nm; Single-mode: 9/125um, 1310nm.
4. DC input. Follow the printed polarity for V+, V-, and Ground.

### CONNECTION

1. Pull out the 2-pin terminal block.
2. Connect power wires to V+ and V-, Use a flatblade screwdriver to secure the wire-clamp screws.
3. Connect SFP transceiver to the fiber port.
4. Install the 2-pin terminal block, and check power LED.
5. The switch must be grounded properly by using a ground wire to connect switch ground screw to earth ground, otherwise, the surge protection level will be greatly reduced.

### Power LEDs

#### H30 / H36 Series

LED	Color	State	Description
Power	Amber	ON	The switch is powered on correctly.
		Off	Not receiving power from power 1 or power 2.
PoE Link	Amber	ON	PD is detected on the designated port.
		Off	No PD is detected.
Data Link	Green	ON	Tx link is detected.
		Off	Link is not detected.
		Flashing	Data is being transmitted or received.
SFP Link	Green	ON	Fiber link is detected.
		Off	Fiber link is not detected.
		Flashing	Data is being transmitted or received.

#### H32-042-30

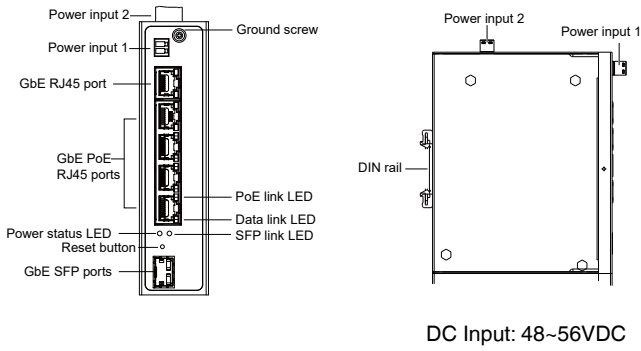
LED	Color	State	Description
Power	Amber	ON	The switch is powered on correctly.
		Off	Not receiving power from power 1 or power 2.
24VDC 56VDC	Green Amber	ON	The No.5 port output is 24VDC PoE
		ON	The No.5 port output is 56VDC PoE
		Off	The No.5 port is no PoE output
PoE Link	Amber	ON	PD is detected on the designated port.
		Off	No PD is detected.
Data Link	Green	ON	Tx link is detected.
		Off	Link is not detected.
		Flashing	Data is being transmitted or received.
SFP Link	Green	ON	Fiber link is detected.
		Off	Fiber link is not detected.
		Flashing	Data is being transmitted or received.

All Specifications are subject to change without notice.

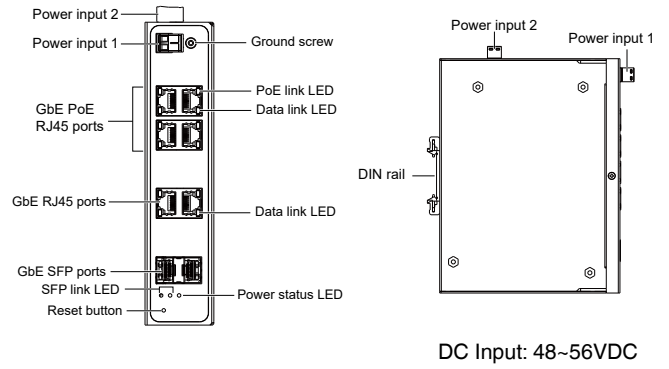
### RESET

Reset the switch	3 seconds	Blinking Green	All LEDs off
------------------	-----------	----------------	--------------

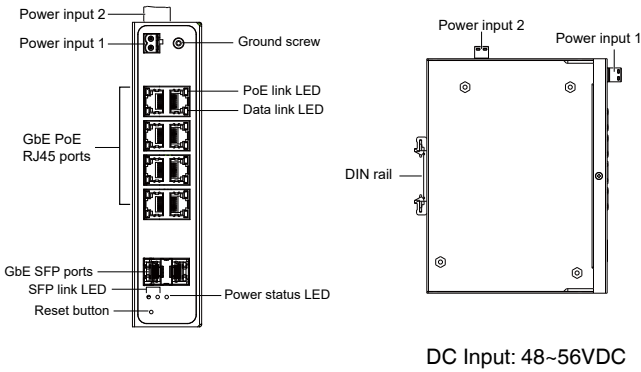
### H30-042-30



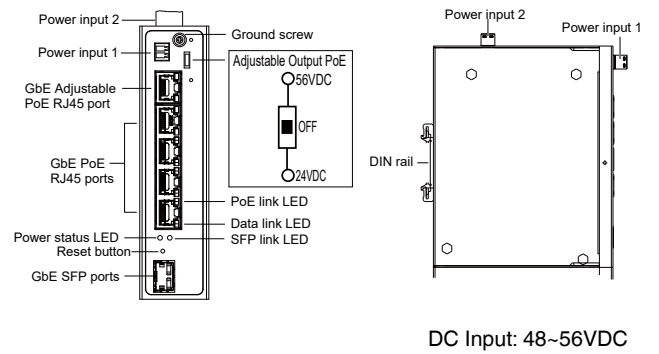
### H30-044-30 / H30-044-90 / H30-044-91



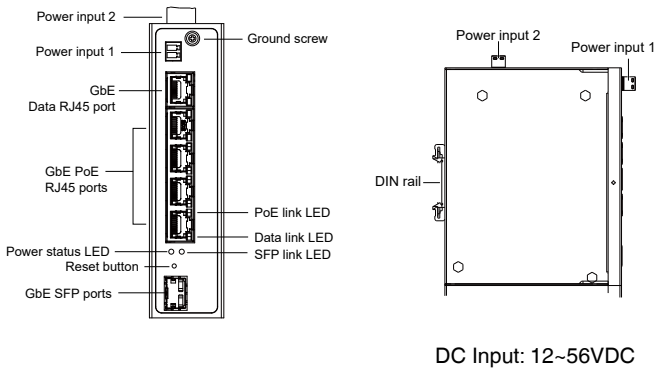
### H30-082-30



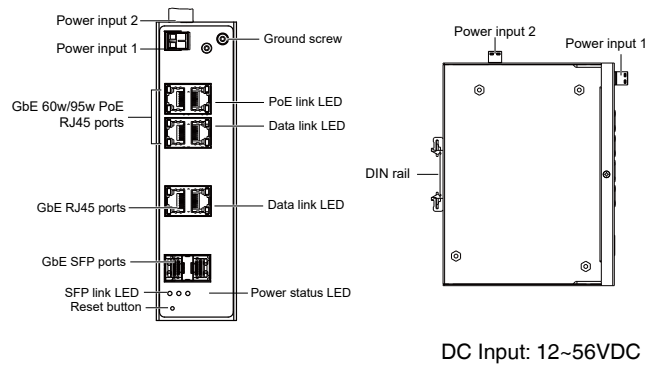
### H32-042-30



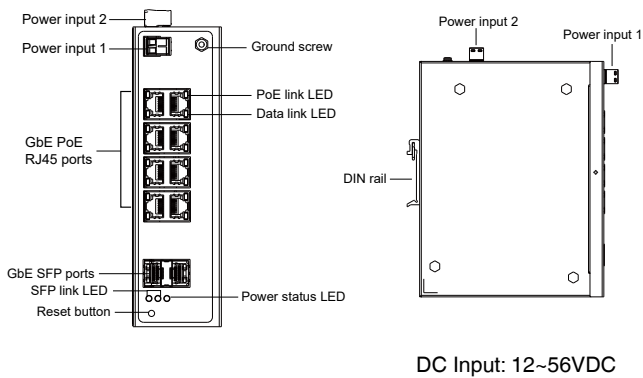
### H36-042-30



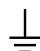
### H36-044-90 / H36-044-91

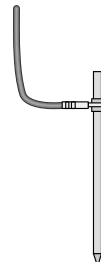


### H36-082-30



### ⚠ IMPORTANT:

Ground screw   
 \* Make sure the grounding resistance is lower than 0.5Ω.



All specifications are subject to change without notice.  
 Copyright © 2021 AETEK INC. All rights reserved.