

### PACKAGE CONTENTS

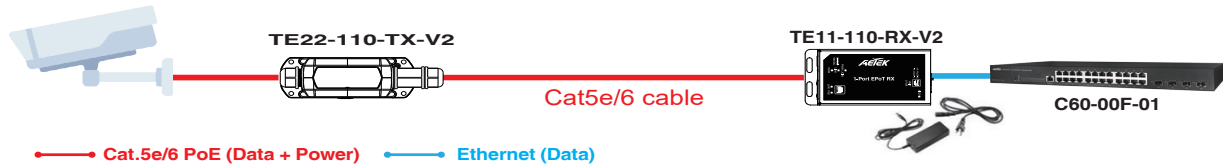
* 1x EPoT dapter	* 1x Quick Installation Guide	* Waterproof Connect
------------------	-------------------------------	----------------------

### ⚠ IMPORTANT:

1. Use CAT5e or CAT6 UTP/STP cables.
2. Please avoid using low quality cables, which will seriously limit the cabling distance and power delivery.
3. Make sure the power source is sufficient for your configuration.

### CONNECTION

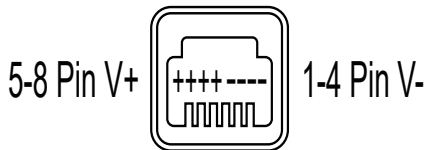
#### Application :



### INSTALLATION



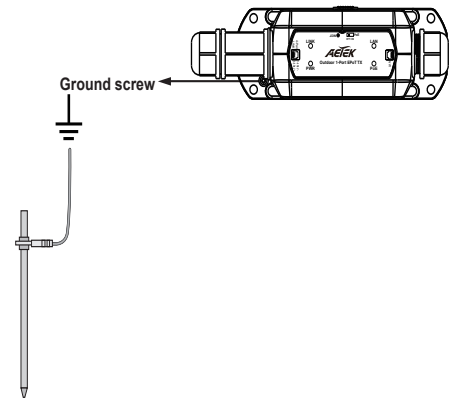
EPoT Cat.5e/6 LINK pin assignment



To make 1 pair, using one (V+) wire and one (V-) wire  
For Example: use pin 3 (V-) and pin 6 (V+) to make 1 pair

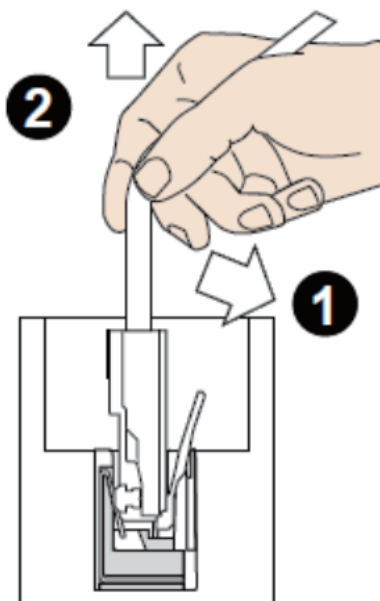
### IMPORTANT:

**NOTE:**  
The TE22-110-TX-V2 Outdoor EPoT Adapter must be grounded using a ground wire between the ground screw and earth ground.



### Outdoor LAN Port

To disconnect a LAN cable, loosen the cable gland and pull the cable against the socket wall towards the side of the locking tab.

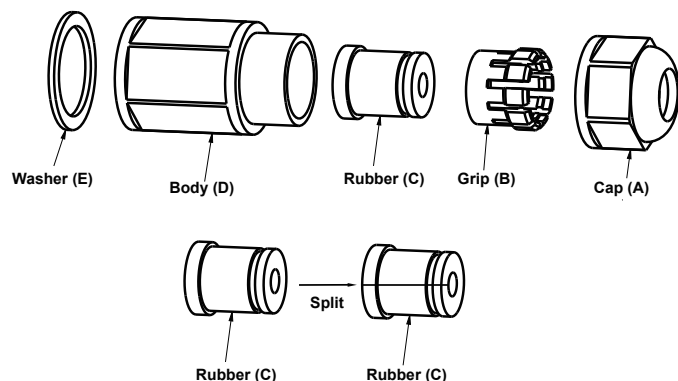


### Outdoor 4 Pair LINK Port Connector Assembly

#### IMPORTANT -

please follow the procedures below carefully to ensure the best seal:

1. Fit a RJ45 plug to the Cat5e/6 cable
2. Thread the Cat5e/6 cable through the cap(A) & grip(B)
3. Split rubber(C), rubber have two sizes for meet 4.5~6.5mm Cat5e/6 cable.
4. Fit the split rubber(C) over the Cat5e/6 cable
5. Thread the Cat5e/6 cable through the body(D)
6. Fit the washer(E) to the TE22-110-TX-V2 connector
7. Plug the RJ45 connector on the Cat5e/6 cable into the TE22-110-TX-V2
8. Hold TE22-110-TX-V2 and then screw the body(D) onto the TE22-110-TX-V2 connector tighten firmly
9. Push rubber(C) in the grip(B) and screw the cap tighten firmly. The Cat5e/6 cable is sealed when the rubber(C) & grip(B) bulges to the edge of the cap(A).



### Distance/Power Chart - 4 Pair

Length of Cat6 Cable	
300m	34.72W
500m	25.2W
800m	13.11W
1000m	10W
1200m	9.66W
1200m ~ 2400m	Data only (100Mbps)

NOTE:

1. The number comply using 4 pair Cat6 cables.
2. The length of network cable for camera connection is 1m Cat6 cable.
3. The power delivery will vary on the quality of Cat6 cable due to resistance.

### Distance/Power Chart - 1 Pair

0.5mm Cable 24AWG	
100m	23.8W
200m	12.1W
400m	6.1W

NOTE:

1. The number comply using 1 pair Cat.5e cable.
2. The length of network cable for camera connection is 1m Cat.5e cable.
3. The power delivery will vary on the quality of Cat.5e cable due to resistance.

### LEDs

PoE	Yellow ON	PoE: Power port is connected to PD
LAN	Green flash	LAN: Data is being transmitted or received.
	OFF	No connection
PWR	Green ON	Power is supplied
LINK	Green ON	Rx and Tx EPoT adapter is connected.

### DIP Switch

NOTE: The PoE On/Off switch is only available on TE22-110-TX-V2

DIP#	On	Delivery PoE output to PD device
	Off	No PoE output to PD device (default setting)

\* When Connect PoE Switch Data or PoE port ,The DIP Switch need off.

### Join Button

- Press the Join button for 1-3 seconds on both Local and Remote Extenders to Link them.
- Press the Join button on the Remote Extender for 5-8 seconds to disconnect the Link between the Extenders
- Press the Join button for 10~15 seconds to reset the Extender to default.