

# OS-110-360

## Outdoor Surveillance System PoE Cabinet with Integrated Power and Battery Backup



OS-110-360 is an outdoor all-weather surveillance system, its uninterruptible power supply is designed to work in extreme weather conditions and ensure the operations of outdoor PoE devices such as PoE cameras, wireless AP. OS-110-360 cabinet is fabricated from stainless steel for strength, durability and corrosion resistance. It is finished with a durable white powder coat which gives an attractive appearance. With standard wall-mount and optional pole-mount kit, the installation for OS-110-360 is quick and easy.

The basic mechanical and electrical equipment includes wall-mount kit, a mounting plate with DIN rails for industrial PoE switch installation or PoE surge protector installation, a set of cable glands, and an uninterruptible power supply system.

OS-110-360 power system provides the stable voltage to loads from the mains power while charging the battery as backup power source. In case of power outage, the OS-110-360 power system maintains the output fed from the battery. It is protected against overloads, short-circuit and deep discharge of the batteries.

\*Note: Accommodates up to 4 units of 12V/7-10Ah sealed lead-acid batteries (not included).

### Features

#### Integrated Power and Battery Backup:

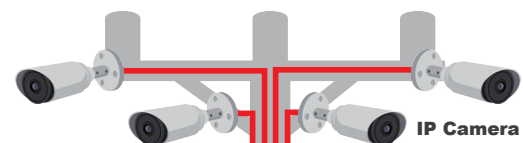
- Seamless battery backup ensures continuous power during AC power loss
- Output 55VDC voltage for PoE device use

#### Rugged and Secured Design:

- IP66-rated enclosure withstands harsh outdoor environments
- Padlockable swing handle enhances security of the cabinet

### Applications

**Built-in battery backup ensures continuous video recording during AC loss.**

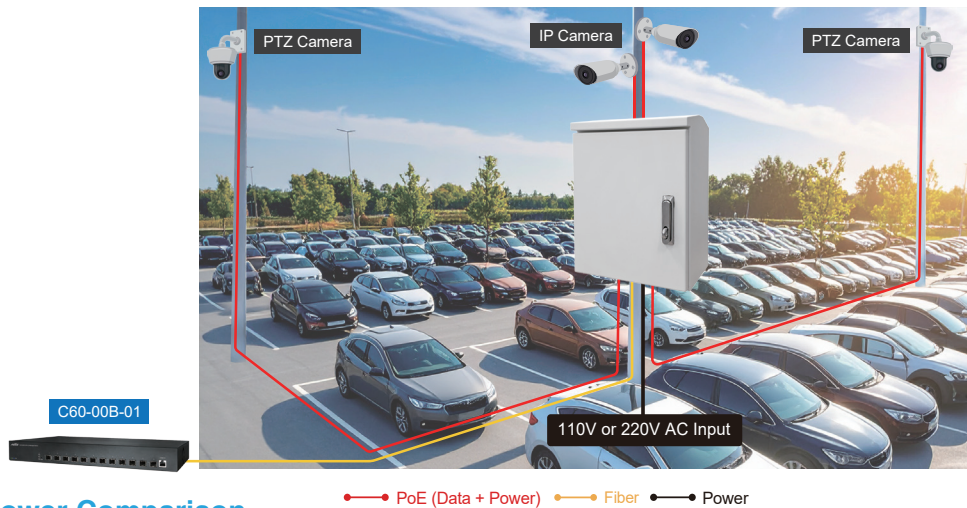


**OS-110-360**  
Outdoor PoE Cabinet with  
Integrated Power and Battery Backup

110V or 220V AC Input

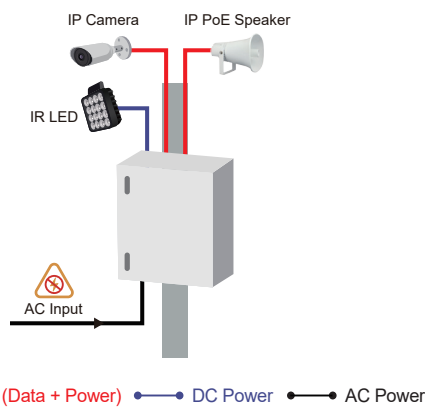
—●— PoE (Data + Power) —●— Power —●— Fiber

## Applications



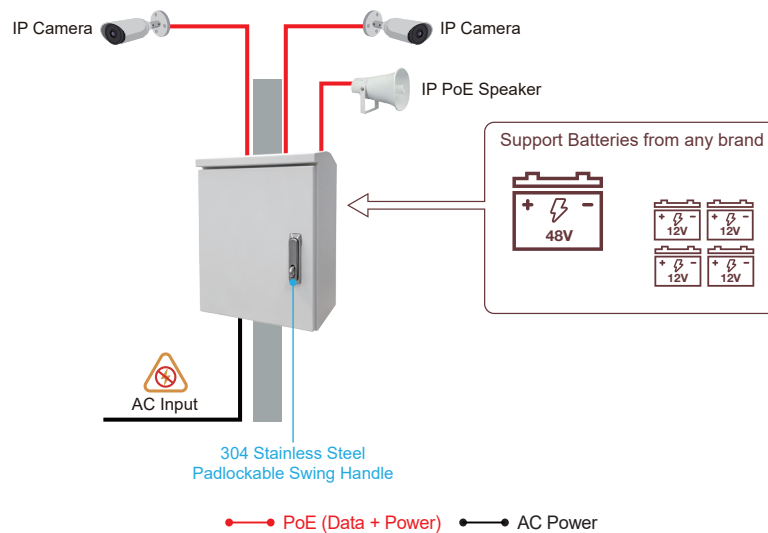
## Backup Power Comparison

### General Setup



- ✗ No backup power solution for outdoor installations
- ✗ Risk of network interruptions, video loss, and extended downtime during AC outages
- ✗ Requires frequent manual checks for system status and network health

### All-in-One Outdoor IP PoE Cabinet with Battery Backup



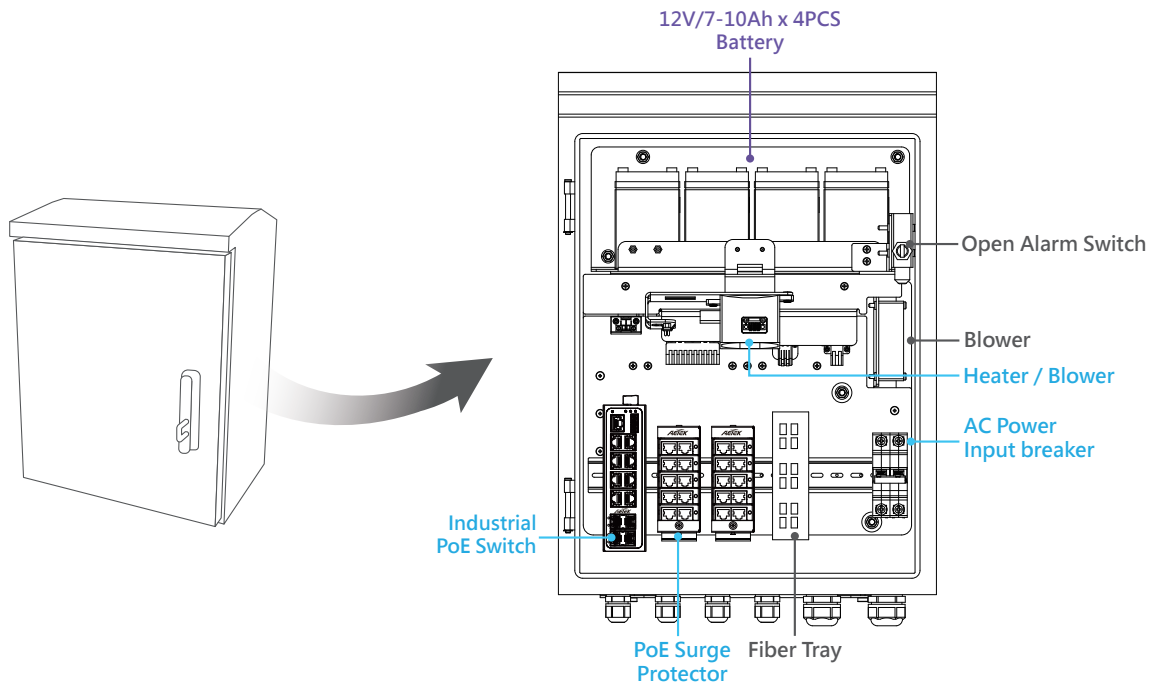
- ✔ All-in-One Outdoor PoE Solution with battery backup
- ✔ High uptime

## Battery Backup Calculator – OS-110-360 with Battery Backup

AETEK Model	Charging Current	Battery	Power Consumption Full Charge Time	Approximate Backup Time at Full Load			
				60W	120W	180W	240W
OS-110-360	1.5A	48V/7Ah Sealed Lead Acid Battery	4 hr 56 mn	3 hr 7 mn	1 hr 24 mn	46 mn	27 mn
		48V/10Ah Sealed Lead Acid Battery	7 hr 4 mn	4 hr 20 mn	2 hr 8 mn	1 hr 18 mn	51 mn

\*Calculation is based on Yuasa NP7-12 / NP18-12, 48V 4S1P @ 25 °C

# Internal Structure



Included
Open Alarm Switch
Blower
Fiber Tray

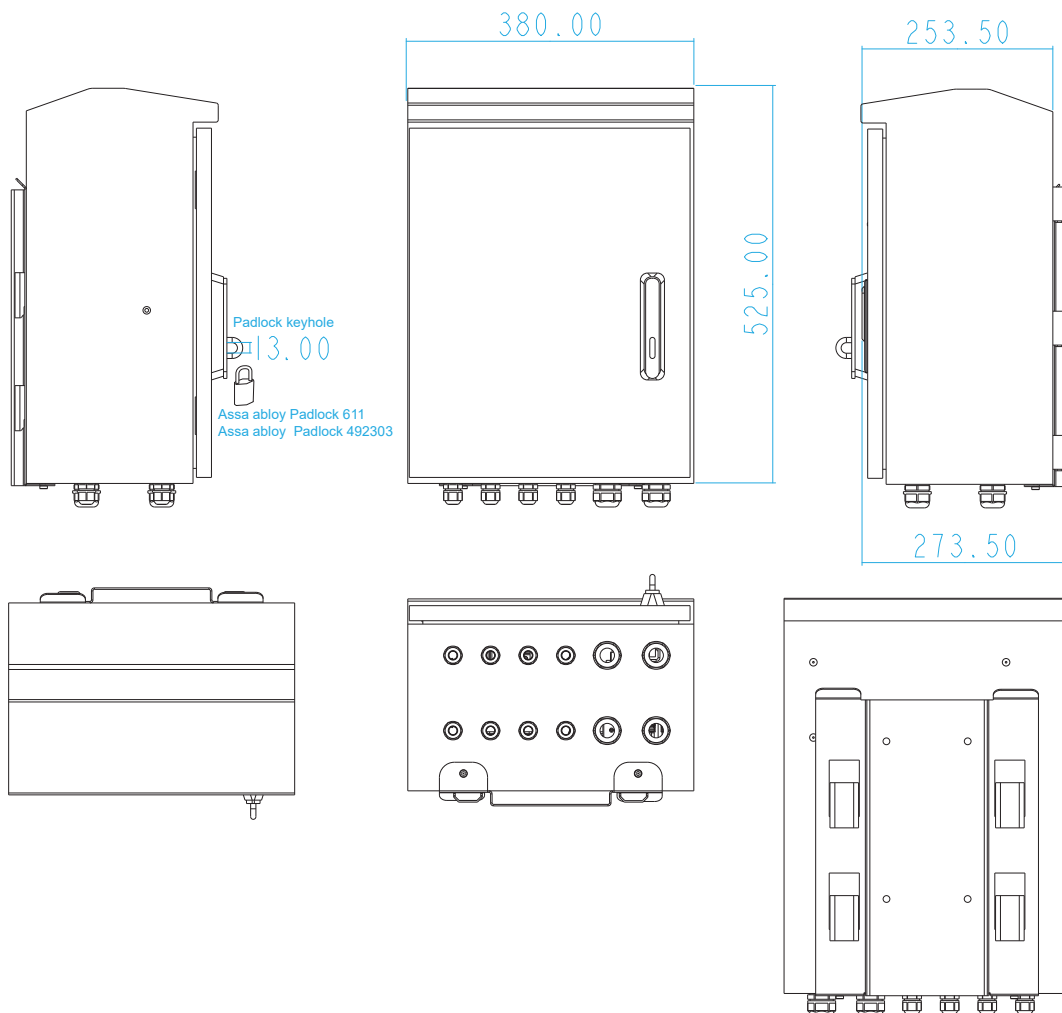
Customer's Own
12V/7-10Ah Battery x4pcs

Optional
Pole Mount Adapter
ABB AC Switch
Heater / Blower Module
Industrial PoE Switch
PoE Surge Protector

# Dimensions

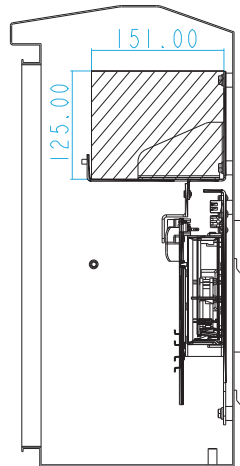
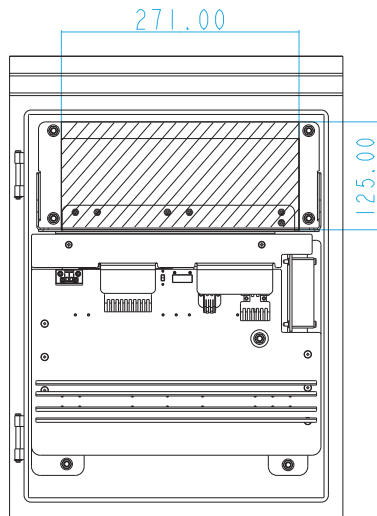
## Outside Dimensions

Unit: mm



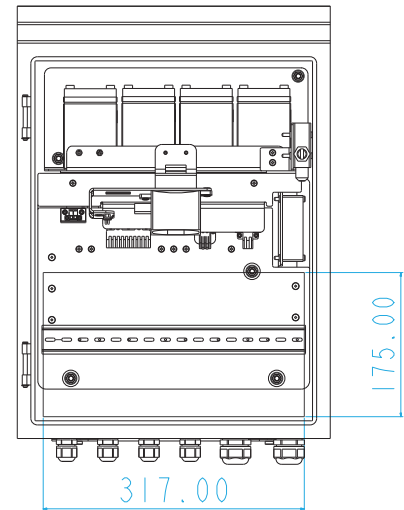
## Dimensions

### Battery Space



### Device Space

Unit: mm



## Specifications

	OS-110-360
<b>Power</b>	
Input Voltage	110VAC or 220VAC
Output Power per DC Port (from power module)	1 x 55V DC @ 5.03A
Output Power Budget	360W
<b>Battery (not included)</b>	
Battery Type	Lead Acid or Lithium (LiFePO4) batteries
Battery Capacity	4 x 12V / 7-10Ah
Max. Battery Size per Unit (W x D x H)	66 x 151 x 120 mm (2.6 x 5.94 x 4.72")
Total Battery Size (W x D x H)	280 x 151 x 140 mm (11.02 x 5.94 x 5.51")
Battery Charging Current	55V DC @ 1.5A
Battery Cutoff Voltage	43V ± 0.5V
Battery Reverse Polarity	Support
<b>Mechanical</b>	
Enclosure Material	304L Stainless Steel
Handle	304 Stainless Steel Padlockable Swing Handle
Padlock Seat	304 Stainless Steel; supports padlock shackle < Ø13 mm Recommended Padlocks: ASSA ABLOY Padlock 611 / Padlock 492303
Dimensions (W x D x H)	380 x 273.5 x 525 mm (14.96 x 10.77 x 20.67")
Weight	11.7kg (25.7 lb)
DI/DO	2/2
Connectors	4 x M25 8 x M16
Blower	Support
Open Alarm Switch	Support
Fiber Tray	Support (without LC adapter)
Mounting	Wall Mounting Optional Pole Mounting Kit: AT-100 or AT-101 Optional Corner Mounting Kit: AT-200

## Specifications

OS-110-360	
<b>Environmental</b>	
IP Rating	IP66
Operating Temperature	-5°C ~ 50°C (32°F ~ 122°F) -40°C ~ 50°C (-40°F ~ 122°F) with heater / blower module
Storage Temperature	-20°C ~ 70°C (-4°F ~ 158°F)
<b>Accessories</b>	
Optional (order separately)	ABB AC switch (Circuit Breaker) Heater / Blower Module Industrial PoE Switch PoE Surge Protector Pole or Corner Mount Adapter


\*Batteries and padlocks are not included

## Optional Accessories

OS-110-360			
	<b>ABB S202-C10</b> • Miniature Circuit Breaker		<b>HM-400 Series</b> • Heater / Blower Module • 30°C < off / 15°C > on • 110VAC or 220VAC



Pole Mount		Corner Mount	
	<b>AT-100</b> • Pole Mount Adapter		<b>AT-101</b> • Pole Mount Adapter
			<b>AT-200</b> • Corner Mount Adapter

DIN-Rail Industrial L2 PRO Gigabit PoE Switches			
	<b>D60-044-30 / D60-044-30-V2</b> • Supports NTS • 4xGbE 30W at PoE + 2xGbE RJ45 + 2xGbE SFP • 48-56V DC Input		<b>D60-084-30 / D60-084-30-V2</b> • Supports NTS • 8xGbE 30W at PoE + 4xGbE SFP • 48-56V DC Input
	<b>D60-044-90</b> • Supports NTS • 4xGbE 90W bt/PoH PoE + 2xGbE RJ45 + 2xGbE SFP • 48-56V DC Input		<b>D60-044-91</b> • Supports NTS • 4xGbE 90W bt PoE + 2xGbE RJ45 + 2xGbE SFP • 48-56V DC Input
	<b>D60-084-90</b> • Supports NTS • 8xGbE 90W bt/PoH PoE + 4xGbE SFP • 48-56V DC Input		



DIN-Rail Industrial Gigabit PoE Switches			
	<b>D40-044-30</b> • 4xGbE 30W at PoE + 2xGbE RJ45 + 2xGbE SFP • 48-56V DC Input		<b>D40-082-30</b> • 8xGbE 30W at PoE + 2xGbE SFP • 48-56V DC Input
	<b>D40-044-91</b> • 4xGbE 90W bt PoE + 2xGbE RJ45 + 2xGbE SFP • 48-56V DC Input		<b>H32-042-30-V2</b> • 4xGbE 30W at PoE + 1xGbE Adjustable 24V or 56V DC Passive PoE + 1xGbE SFP • 48-56V DC Input
	<b>D42-042-91</b> • 2xGbE 90W bt PoE + 2xGbE Adjustable 24V or 56V DC Passive PoE + 2xGbE SFP • 12V and 24V DC Output • 52-56V DC Input		

## Optional Accessories


### DIN-Rail Industrial Gigabit PoE Media Converters

	<p><b>M30-011-30</b></p> <ul style="list-style-type: none"> <li>• 1xGbE 30W at PoE</li> <li>• + 1xGbE SFP</li> <li>• 48-56V DC Input</li> </ul>		<p><b>M30-022-90</b></p> <ul style="list-style-type: none"> <li>• 2xGbE 90W PoH PoE</li> <li>• + 2xGbE SFP</li> <li>• 48-56V DC Input</li> </ul>		<p><b>M30-022-91-V2</b></p> <ul style="list-style-type: none"> <li>• 2xGbE 90W bt PoE</li> <li>• + 2xGbE SFP</li> <li>• 48-56V DC Input</li> </ul>
-----------------------------------------------------------------------------------	-------------------------------------------------------------------------------------------------------------------------------------------------	-----------------------------------------------------------------------------------	--------------------------------------------------------------------------------------------------------------------------------------------------	-------------------------------------------------------------------------------------	----------------------------------------------------------------------------------------------------------------------------------------------------


### DIN-Rail Industrial Gigabit PoE Injectors

	<p><b>I69-200</b></p> <ul style="list-style-type: none"> <li>• 1xGbE 95W PoH PoE + 1xGbE RJ45</li> <li>• 48-56V DC Input</li> </ul>		<p><b>I69-210-V2</b></p> <ul style="list-style-type: none"> <li>• 1xGbE 90W bt PoE + 1xGbE RJ45</li> <li>• 48-56V DC Input</li> </ul>
-----------------------------------------------------------------------------------	-------------------------------------------------------------------------------------------------------------------------------------	-----------------------------------------------------------------------------------	---------------------------------------------------------------------------------------------------------------------------------------


### DIN-Rail Industrial Gigabit PoE Splitter

	<p><b>S69-220</b></p> <ul style="list-style-type: none"> <li>• Power Output:</li> <li>- 30W at, 60W/90W bt PoE Output</li> <li>- 5V/9V/12V/24V DC Output</li> <li>• 48-56V DC or 802.3af/at/bt PoE Input</li> </ul>
-----------------------------------------------------------------------------------	---------------------------------------------------------------------------------------------------------------------------------------------------------------------------------------------------------------------

### Modular IP PoE Surge Protector

	<p><b>SD-504</b></p> <ul style="list-style-type: none"> <li>• Supports Web UI &amp; module lifetime detection</li> <li>• Alarm setup, logs and events</li> <li>• 4-CH hot-swappable PoE surge modules</li> <li>• Supports 10M/100M/1G/2.5Gbps Ethernet</li> <li>• Protects up to 20KV / 10KA surge</li> </ul>
------------------------------------------------------------------------------------	---------------------------------------------------------------------------------------------------------------------------------------------------------------------------------------------------------------------------------------------------------------------------------------------------------------

### Modular PoE Surge Protector

	<p><b>SD-404-V2</b></p> <ul style="list-style-type: none"> <li>• 4-CH hot-swappable PoE surge modules</li> <li>• Supports 10M/100M/1G/2.5Gbps Ethernet</li> <li>• Protects up to 20KV / 10KA surge</li> </ul>
-----------------------------------------------------------------------------------	---------------------------------------------------------------------------------------------------------------------------------------------------------------------------------------------------------------