

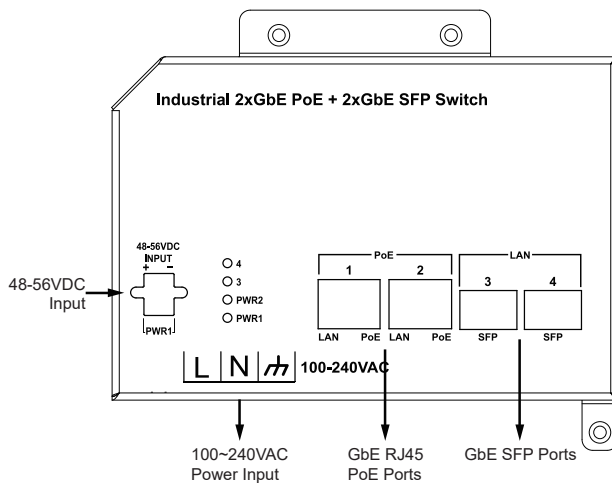
PACKAGE CONTENTS

* 1x PoE switch	* 1x Quick Installation Guide
* 1x T25 L-wrench	

⚠ IMPORTANT:

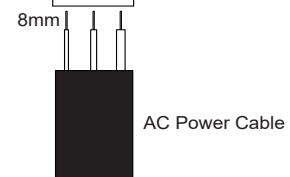
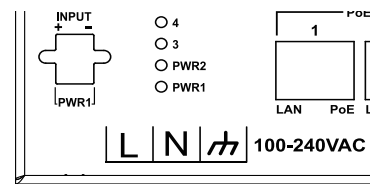
1. Install the PoE switch in a ventilated and dry place that is free of electromagnetic source, vibration, moisture, and dust.
2. Make sure the ventilation openings on the switch are not blocked.
3. Use CAT5 or 5e UTP/STP cables.
4. AC input (100~240V/AC, 50~60HZ) for a max. consumption of 120W.
5. IP67 rated housing.
6. Although housing is IP67 rating , this is not suitable for water jets.

CONNECTION

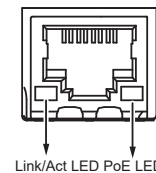
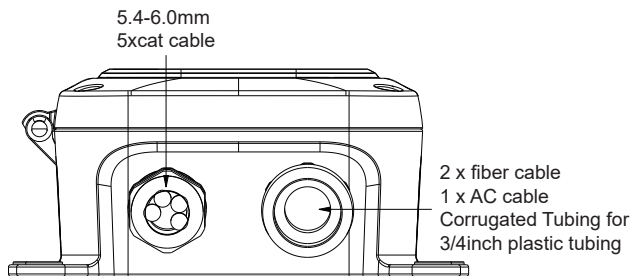


AC Power Cable Spec.

Wire Size	10~18AWG
Wire Strip Length	8mm

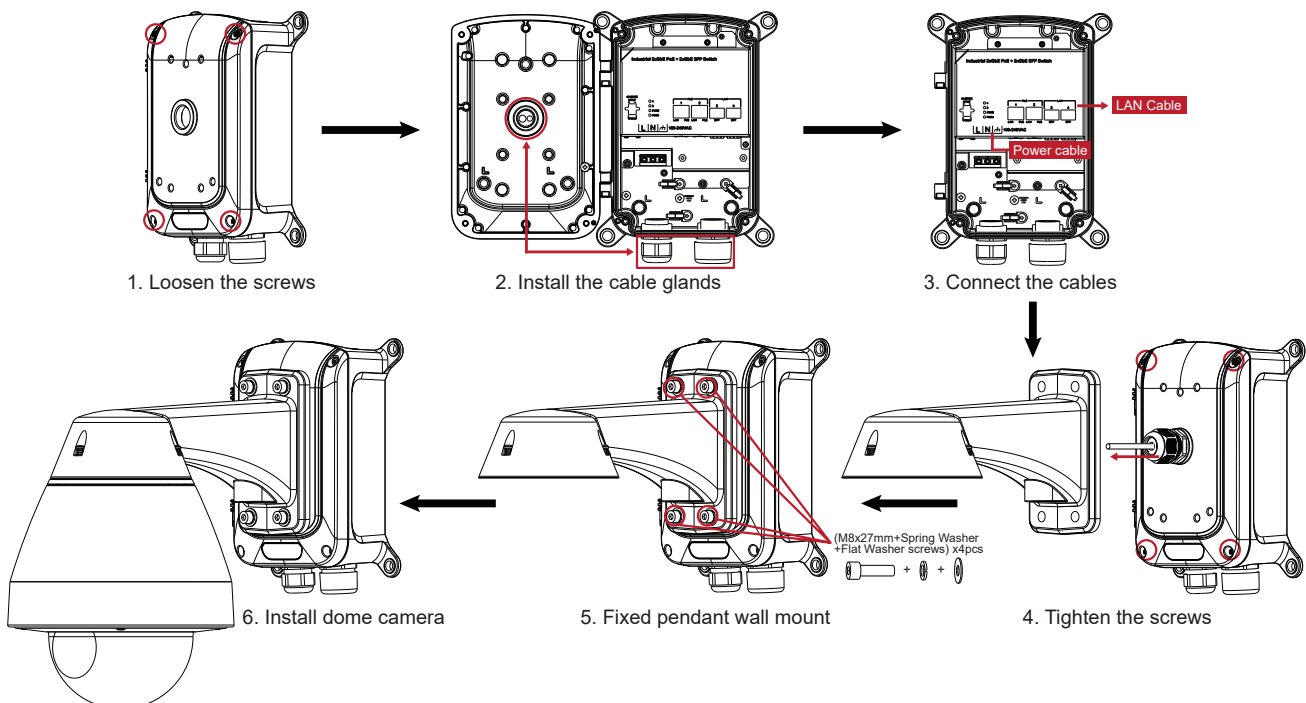


AC Power Cable



Link/Act LED PoE LED

with Avigilon IRPTZ-MNT-WALL1 / MNT-PEND-WALL / WLMT-1001 / WLMT-1021 / WLMT-1031



1. Loosen the screws

2. Install the cable glands

3. Connect the cables

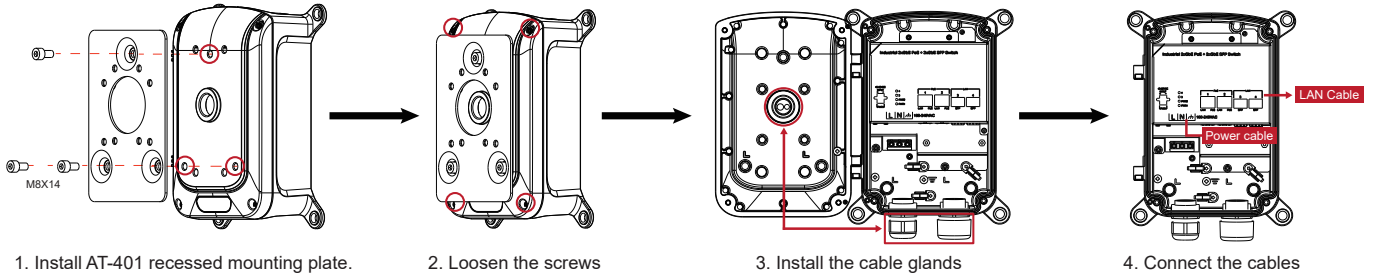
4. Tighten the screws

5. Fixed pendant wall mount

6. Install dome camera

(M8x27mm+Spring Washer
+Flat Washer screws) x4pcs

with AXIS T91E61

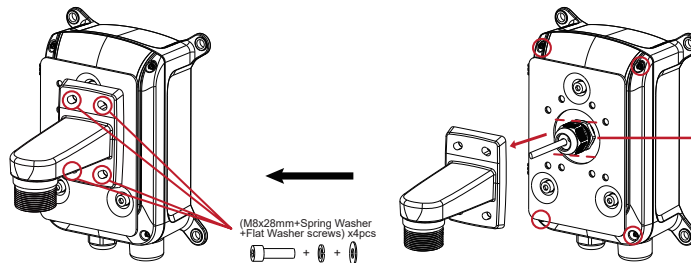


1. Install AT-401 recessed mounting plate.

2. Loosen the screws

3. Install the cable glands

4. Connect the cables

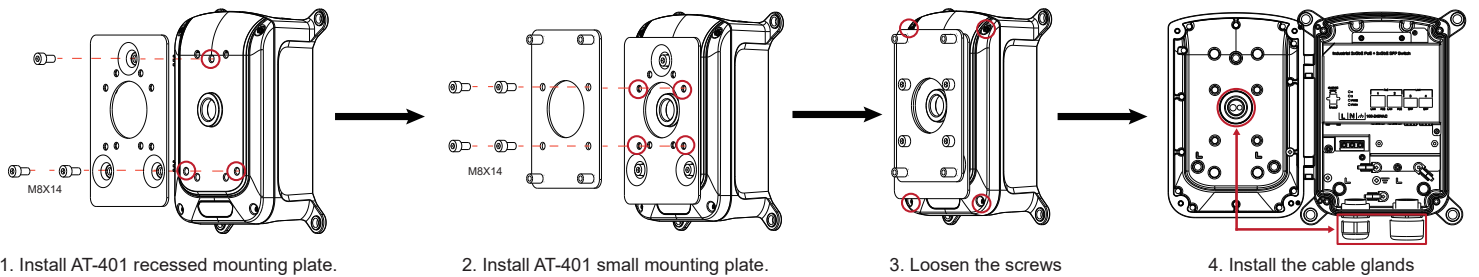


6. Fixed pendant wall mount

5. Tighten the screws

The waterproof head must be parallel so that the bracket can be installed.

with AXIS T91D61

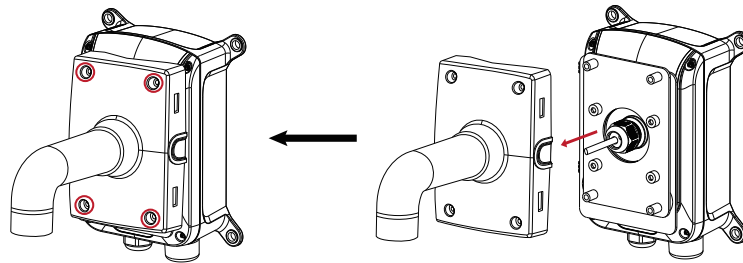


1. Install AT-401 recessed mounting plate.

2. Install AT-401 small mounting plate.

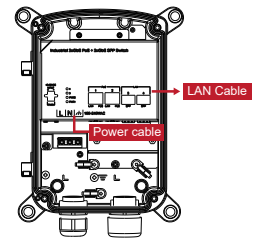
3. Loosen the screws

4. Install the cable glands



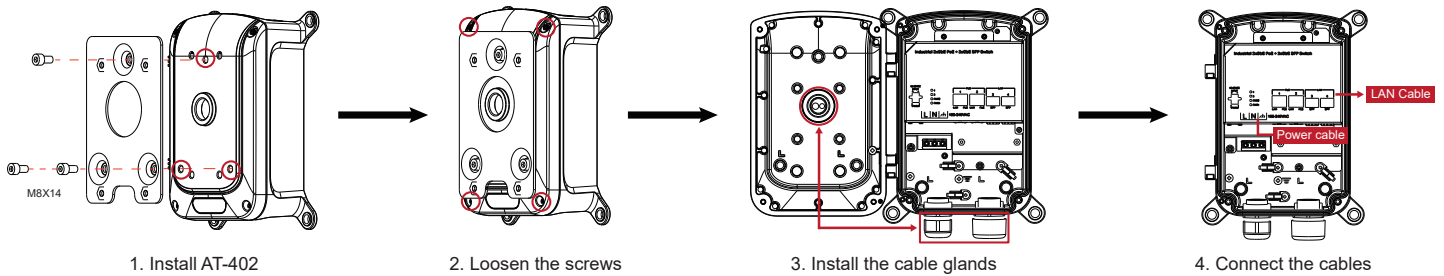
7. Fixed pendant wall mount

6. Tighten the screws



5. Connect the cables

with HANWHA SBP-300WMW1

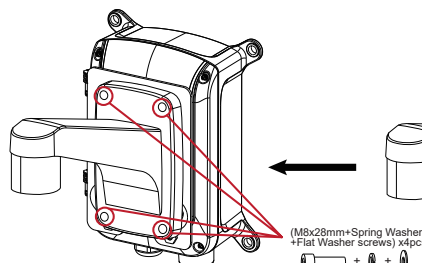


1. Install AT-402

2. Loosen the screws

3. Install the cable glands

4. Connect the cables

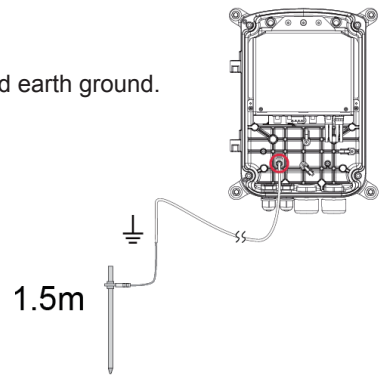


6. Fixed pendant wall mount

5. Tighten the screws

IMPORTANT:

The cabinet must be grounded using a ground wire between the ground screw and earth ground.



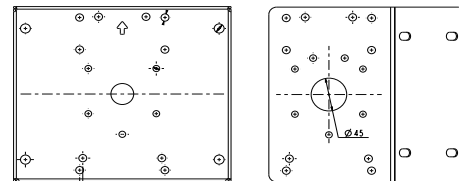
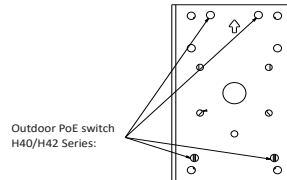
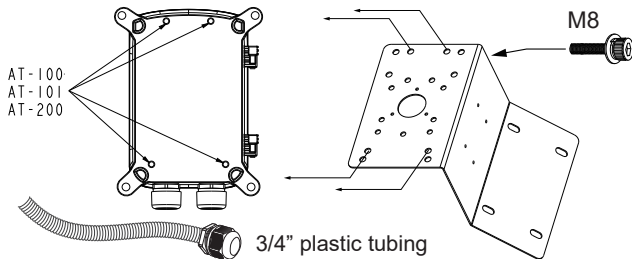
LED DEFINITIONS

Power PW1/PW2	Green ON	Power is on and normal.
SFP port Green	Green ON	Fiber is aeeached.
	Green Flashing	Data is being transmitted / received.
LAN ports Green	Green ON	TX link is detected.
	Green Flashing	Data is being transmitted or received.
PoE ports Amber	Amber ON	PSE is activated and PD is detected.
	Amber OFF	PoE OFF

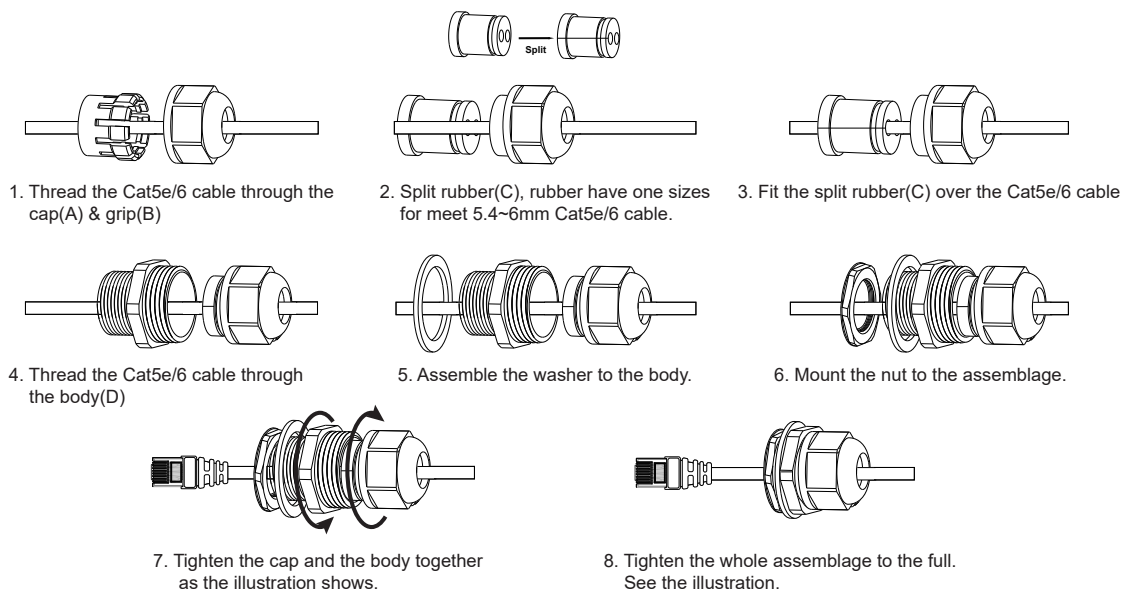
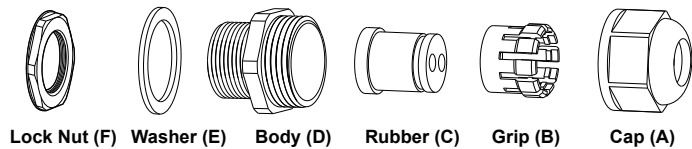
INSTALLATION

Use the included M8 hex socket screws to secure the power box to a pole-mount or corner mount bracket.

The mounting hole definition is illustrated below. The same mounting hole pattern apply to all pole-mount and corner-mount brackets.



ASSEMBLE CABLE GLANDS



All specifications are subject to change without notice.
Copyright © 2025 AETEK INC. All rights reserved.