

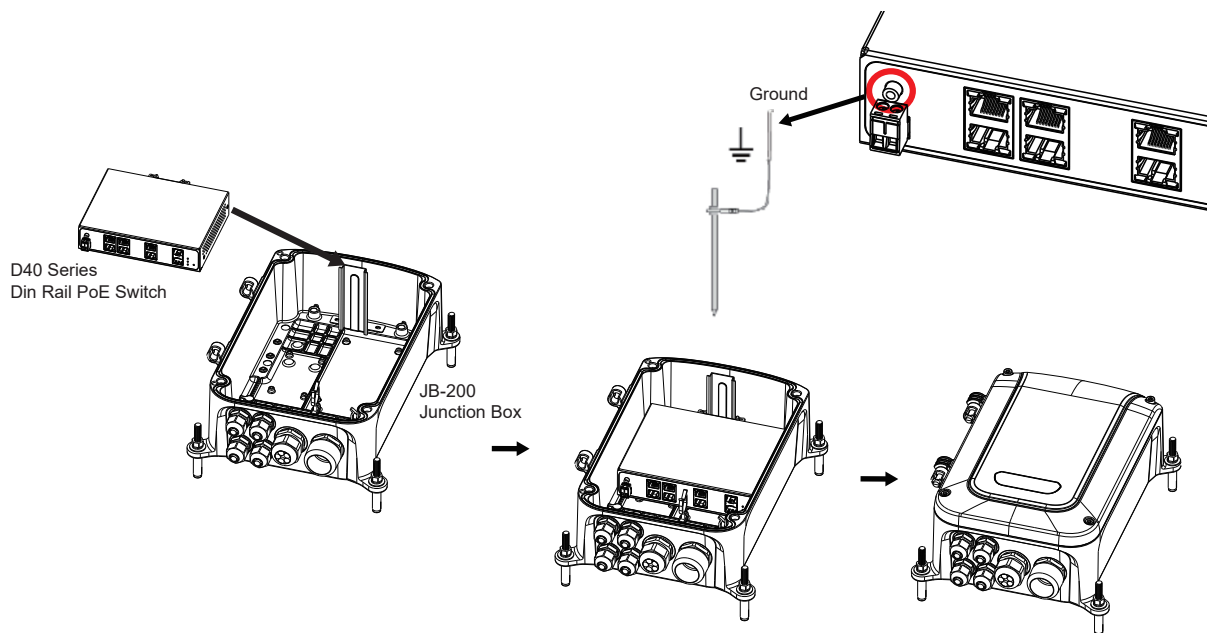
PACKAGE CONTENTS

* 1x Junction Box	* 1x Quick Installation Guide
* 1x T25 L-wrench	

⚠ IMPORTANT:

1. Install the junction box in a ventilated and dry place that is free of electromagnetic source, vibration, moisture, and dust.
2. Make sure the ventilation openings on the junction box are not blocked.

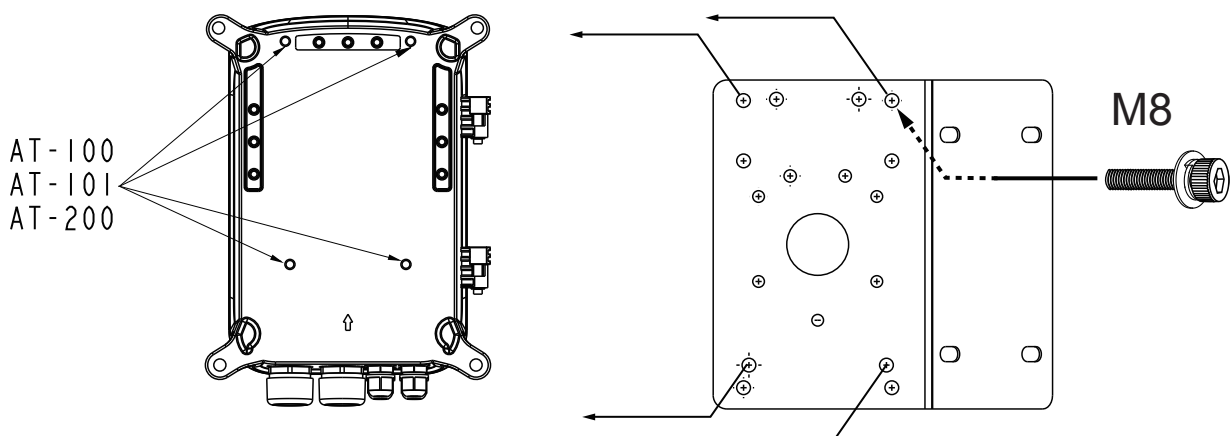
Installation



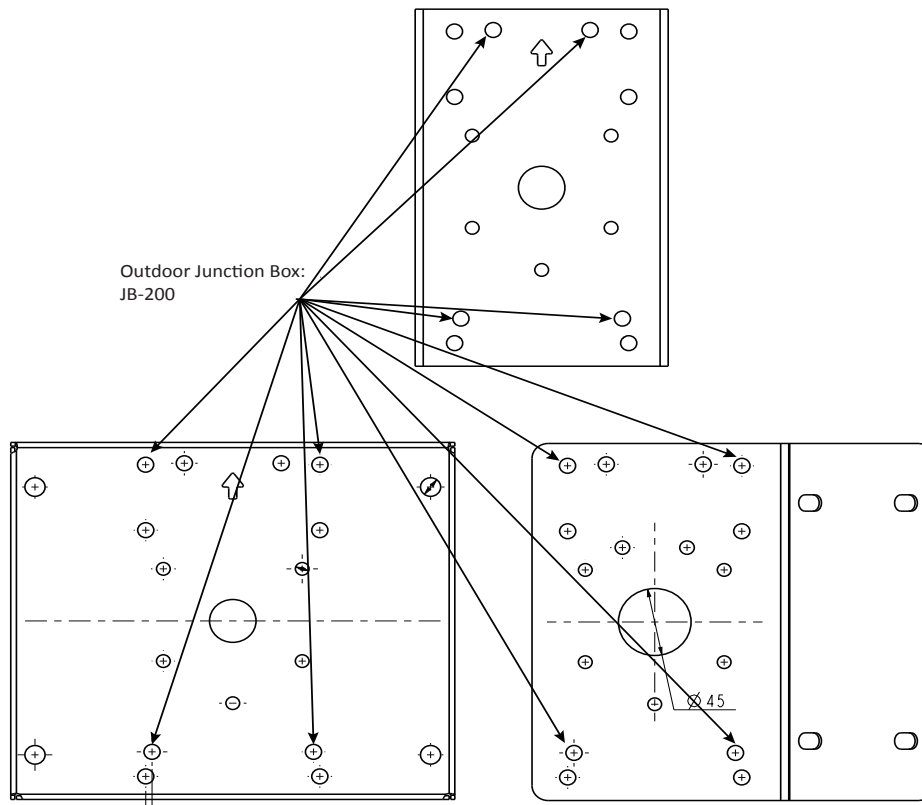
1. Install the D40 series PoE switch on the Din-rail mount kit.
2. Load the D40 PoE switch into the Din-rail slide of the JB-200
3. Connect the 48~56VDC power cable, ground wire, cat5e/cat6 LAN cable and Fiber to the JB-200 via the waterproof connector under the JB-200 and connect to the socket of the D40 PoE Switch.
4. After installation, lock the JB-200 cover.
5. Install the JB-200 on a wall or pole or corner (with AT-100 or AT-101 or AT-200)

Pole-mount or Corner-mount installation

Use the included M8 hex socket screws to secure the junction box to a pole-mount or corner mount bracket.



The mounting hole definition is illustrated below. The same mounting hole pattern apply to all pole-mount and corner-mount brackets.



All specifications are subject to change without notice.
Copyright © 2018 AETEK INC. All rights reserved.