



H40-044-90-250
H40-044-91-250

Outdoor PoE Switch

Quick Installation Guide

INTRODUCTION

The H40-044-90-250 & H40-044-91-250 is a 4 port 10/100/1000BaseT PoE switch capable of feeding 30/60/95W power to Power over Ethernet (PoE) devices. It comes with another 2x GbE RJ45 port + 2xGbE SFP port for uplinks.

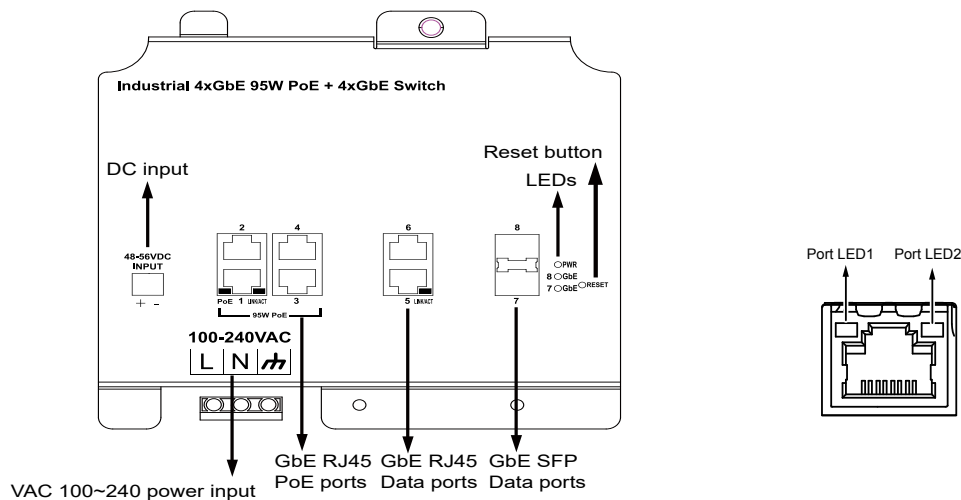
PACKAGE CONTENTS

* 1x PoE switch	* 1x Quick Installation Guide
* 1x T25 L-wrench, 4x wall anchors	

⚠ IMPORTANT:

1. Install the PoE switch in a ventilated and dry place that is free of electromagnetic source, vibration, moisture, and dust.
2. Make sure the ventilation openings on the switch are not blocked.
3. Use CAT5 or 5e UTP/STP cables.
4. AC input (100~240V/AC, 50~60Hz).
5. IP67 rated housing
6. Although housing is IP67 rating , this is not suitable for water jets.

CONNECTION



LED DEFINITIONS

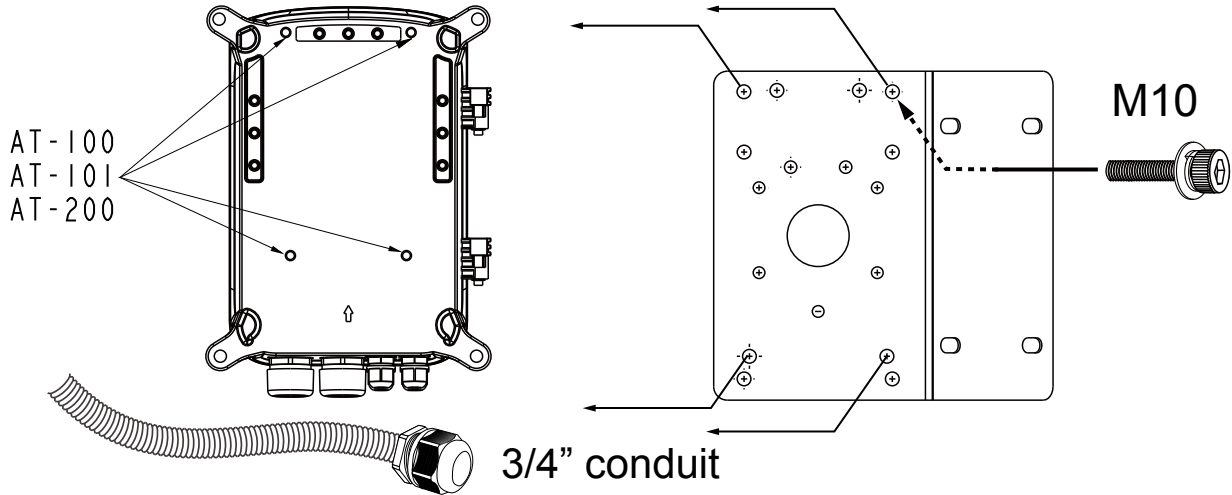
Power	Green ON	Power is on and normal.
	Green Off	The switch is not receiving power.
RJ45 ports LED1	Green ON	Port is enabled and link established with a device at the 1000Mbps speed.
	Green Blinking	Port is transmitting and receiving data at the 1000Mbps speed.
	Amber ON	Port is enabled and link established with a device at the 10/100Mbps speed.
	Amber Blinking	Port is transmitting and receiving data at the 100Mbps speed.
	Off	No active network connection. The port may have been disabled through user interface.
RJ45 ports LED2	Green ON	The port is enabled and supplying power to connected device.
	Amber ON	An abnormal state, such as overload status has occurred.
	Off	The port has no active network cable connected, or it is not connected a PoE PD device. Otherwise, the port may have been disabled through the switch user interface.
SFP ports	Green ON	Port is enabled and link established with a device at the 1000Mbps speed.
	Green Blinking	Port is transmitting and receiving data at the 1000Mbps speed.

RESET & RESTORE

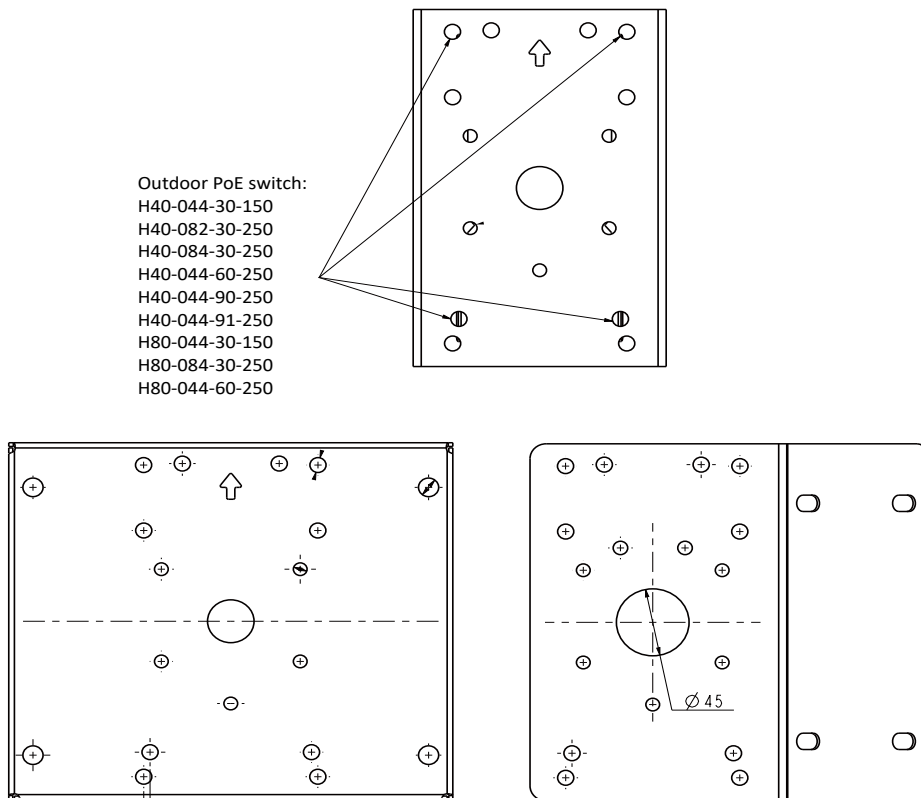
Reset the switch	3 seconds	Blinking Green	All LEDs off
------------------	-----------	----------------	--------------

INSTALLATION

Use the included M10 hex socket screws to secure the power box to a pole-mount or corner mount bracket.



The mounting hole definition is illustrated below. The same mounting hole pattern apply to all pole-mount and corner-mount brackets.



All specifications are subject to change without notice.
 Copyright © 2019 AETEK INC. All rights reserved.