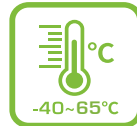
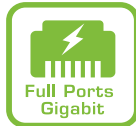


H60-022-90-120-A

Outdoor IP67 / IK10 L2 PRO 2-Port Gigabit
bt/PoH PoE Switch for Avigilon PTZ/IR PTZ/
Multisensor Cameras and Compatible Mounts



AETEK H60-022-90-120-A not only delivers video streaming and 90W PoE budget for Avigilon PTZ, IR PTZ camera but also allow these cameras mounted into front panel of H60-022-90-120-A directly. Customized mounting holes on front casing are precisely positioned, absolutely fit the Avigilon pendant wall mount arm kit.

H60-022-90-120-A equipped with 2 of Gigabit PoE ports with 120W power budget and 2 of Gigabit SFP ports, is an all-in-one solution to create a daisy-chain networking for the long-ranged PoE IP surveillance. Robust aluminum casting enclosure endures rated IP67, IK10 and -40°C ~ 65°C (-40°F ~ 149°F) rigid environments.

Features

- Suits pendant wall mount hole of Avigilon PTZ, IR PTZ, and Multi-sensor cameras
- Flexible Gigabit SFP ports for daisy chain network of uplink application
- Casting aluminum enclosure rated IP67 and IK10 impact
- Operating temperature between -40°C and 65°C
- Gigabit 90W bt/PoH PoE output
- Supporting 10/100/1000Mbps data rates
- 6KV PoE & 10KV AC surge protections
- Field test working with Avigilon PoE Camera

Applications

AETEK H60-022-90-120-A with Avigilon H4 Multisensor :



AETEK H60-022-90-120-A with Avigilon H4 IR PTZ :



AETEK H60-022-90-120-A with Avigilon H5A PTZ :



IP Camera Controller Features

Device List

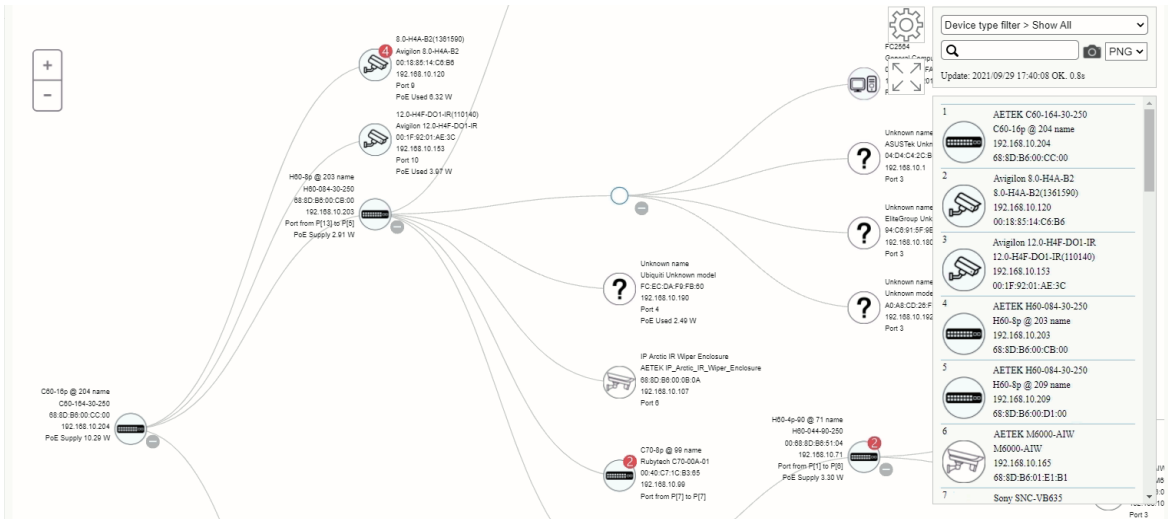
Status	Device Type	Model Name	Device Name	MAC	IP Address
Online	PoESW	H60-084-30-250	H60-Sp @ 203 name	68:8D:B6:00:CB:00	192.168.10.203
Online	PoESW	H60-084-30-250	H60-Sp @ 209 name	68:8D:B6:00:D1:00	192.168.10.209
Online	IPMX	M6000-AIW	M6000-AIW	68:8D:B6:01:E1:B1	192.168.10.165
Online	IP Camera	SNC-VB635	Sony	D8:D4:3C:DD:F5:C7	192.168.10.122
Online	IP Camera	WV-S1131	Panasonic_WV-S1131	BC:C3:42:71:79:D0	192.168.10.104
Online	IPSG	SD-504	SD-504	68:8D:B6:00:00:01	192.168.10.108
Online	PC	General Computer	FC2564	00:50:56:2D:FA:AC	192.168.10.201
Online	Others	Unknown model	Unknown name	04:D4:C4:2C:B5:EC	192.168.10.1
Online	Others	Unknown model	Unknown name	94:C6:91:5F:9E:EA	192.168.10.180
Online	PC	General Computer	MIS-TEMP-NB4	A0:A8:CD:26:FE:FD	192.168.10.192

Showing 1 to 10 of 29 entries

Edit

Previous 1 2 3 Next

Topology View



Device Dashboard

Device Dashboard

Device Type: IP Cameras

Device Name: 12.0-H4F-DO1-IR

Model Name: 12.0-H4F-DO1-IR

MAC Address: 00:1F:92:01:AE:3C

IP Address: 192.168.10.153

Http Port: 80

PoE Used: 4.21 W

Close Apply

Login
Diagnosics
PoE Reboot

Dashboard
Notification
Monitor

Device type filter > Show All

Update: 2021/09/29 17:38:38 OK: 0.9s

- AETEK C60-164-30-250 C60-16p @ 204 name 192.168.10.204 68:8D:B6:00:CC:00
- Avigilon 8.0-H4A-B2 8.0-H4A-B2(1361590) 192.168.10.120 00:18:85:14:C6:B6
- Avigilon 12.0-H4F-DO1-IR 12.0-H4F-DO1-IR(110140) 192.168.10.153 00:1F:92:01:AE:3C
- AETEK H60-084-30-250 H60-Sp @ 203 name 192.168.10.203 68:8D:B6:00:CB:00
- AETEK H60-084-30-250 H60-Sp @ 209 name 192.168.10.209 68:8D:B6:00:D1:00
- AETEK M6000-AIW M6000-AIW 192.168.10.165 68:8D:B6:01:E1:B1
- Sony SNC-VB635 192.168.10.122 D8:D4:3C:DD:F5:C7

Floor Map View

Device Dashboard

Device Type PoE Switches
Device Name H60-4p-90 @ 73 name
Model Name H60-044-90-250
MAC Address 00:E0:4C:51:04:0A
IP Address 192.168.10.73
Http Port 80
PoE Supply 0 W
API Account admin73
API Password passwd73

Close Apply

Login Upgrade PoE Config Diagnostics

Dashboard Notification

Device List:

- AETEK C60-164-30-250 C60-16p @ 204 name 192.168.10.204 68:8D:B6:00:CC:00
- Avigilon 8.0-H4A-B2 8.0-H4A-B2(1361590) 192.168.10.120 00:18:85:14:C6:B6
- Avigilon 12.0-H4F-DO1-IR 12.0-H4F-DO1-IR(110140) 192.168.10.153 00:1F:92:01:AE:3C
- AETEK H60-084-30-250 H60-8p @ 203 name 192.168.10.203 68:8D:B6:00:CB:00
- AETEK H60-084-30-250 H60-8p @ 209 name 192.168.10.209 68:8D:B6:00:D1:00
- AETEK M6000-AIW M6000-AIW 192.168.10.165

Druggable: ONE

Google Map View

Device Dashboard

Device Type PoE Switches
Device Name H60-8p @ 203 name
Model Name H60-084-30-250
MAC Address 68:8D:B6:00:CB:00
IP Address 192.168.10.203
Http Port 80
PoE Supply 2.54 W
API Account admin203
API Password passwd203

Close Apply

Upgrade PoE Config

Dashboard Notification

Device List:

- AETEK C60-164-30-250 C60-16p @ 204 name 192.168.10.204 68:8D:B6:00:CC:00
- Avigilon 8.0-H4A-B2 8.0-H4A-B2(1361590) 192.168.10.120 00:18:85:14:C6:B6
- Avigilon 12.0-H4F-DO1-IR 12.0-H4F-DO1-IR(110140) 192.168.10.153 00:1F:92:01:AE:3C
- AETEK H60-084-30-250 H60-8p @ 203 name 192.168.10.203 68:8D:B6:00:CB:00
- AETEK H60-084-30-250 H60-8p @ 209 name 192.168.10.209 68:8D:B6:00:D1:00
- AETEK M6000-AIW M6000-AIW 192.168.10.165

Druggable: ONE Animation: OFF

Cable Diagnostics

Diagnostics

Device Type IP Cameras
Device Name 12.0-H4F-DO1-IR(110140)
Model Name 12.0-H4F-DO1-IR
MAC Address 00:1F:92:01:AE:3C
IP Address 192.168.10.153

Icon	Diagnostic
1	AETEK C60-164-30-250 C60-16p @ 204 name 192.168.10.204 68:8D:B6:00:CC:00 Port 10 <input checked="" type="checkbox"/> Connection ok Speed: 100M <input checked="" type="checkbox"/> Cable Status ok
3	Avigilon 12.0-H4F-DO1-IR 12.0-H4F-DO1-IR(110140) 192.168.10.153 00:1F:92:01:AE:3C

Back

Device List:

- AETEK C60-164-30-250 C60-16p @ 204 name 192.168.10.204 68:8D:B6:00:CC:00
- Avigilon 8.0-H4A-B2 8.0-H4A-B2(1361590) 192.168.10.120 00:18:85:14:C6:B6
- Avigilon 12.0-H4F-DO1-IR 12.0-H4F-DO1-IR(110140) 192.168.10.153 00:1F:92:01:AE:3C
- AETEK H60-084-30-250 H60-8p @ 203 name 192.168.10.203 68:8D:B6:00:CB:00
- AETEK H60-084-30-250 H60-8p @ 209 name 192.168.10.209 68:8D:B6:00:D1:00
- AETEK M6000-AIW M6000-AIW 192.168.10.165
- Sony SNC-VB635

PoE Features

- IEEE802.3at (PoE+ 30W),bt / PoH 90W
- Max. allowed 30W / 90W per port
- Port status table

PoE Port Configuration						
Local Port	PD Class	Power Used	Current Used	Priority	Port Status	
1	-	0.00 [W]	0 [mA]	high	No PD detected	
2	class 8	90.00 [W]	1700 [mA]	high	on	
Total		90.00 [W]				

Specifications - Software

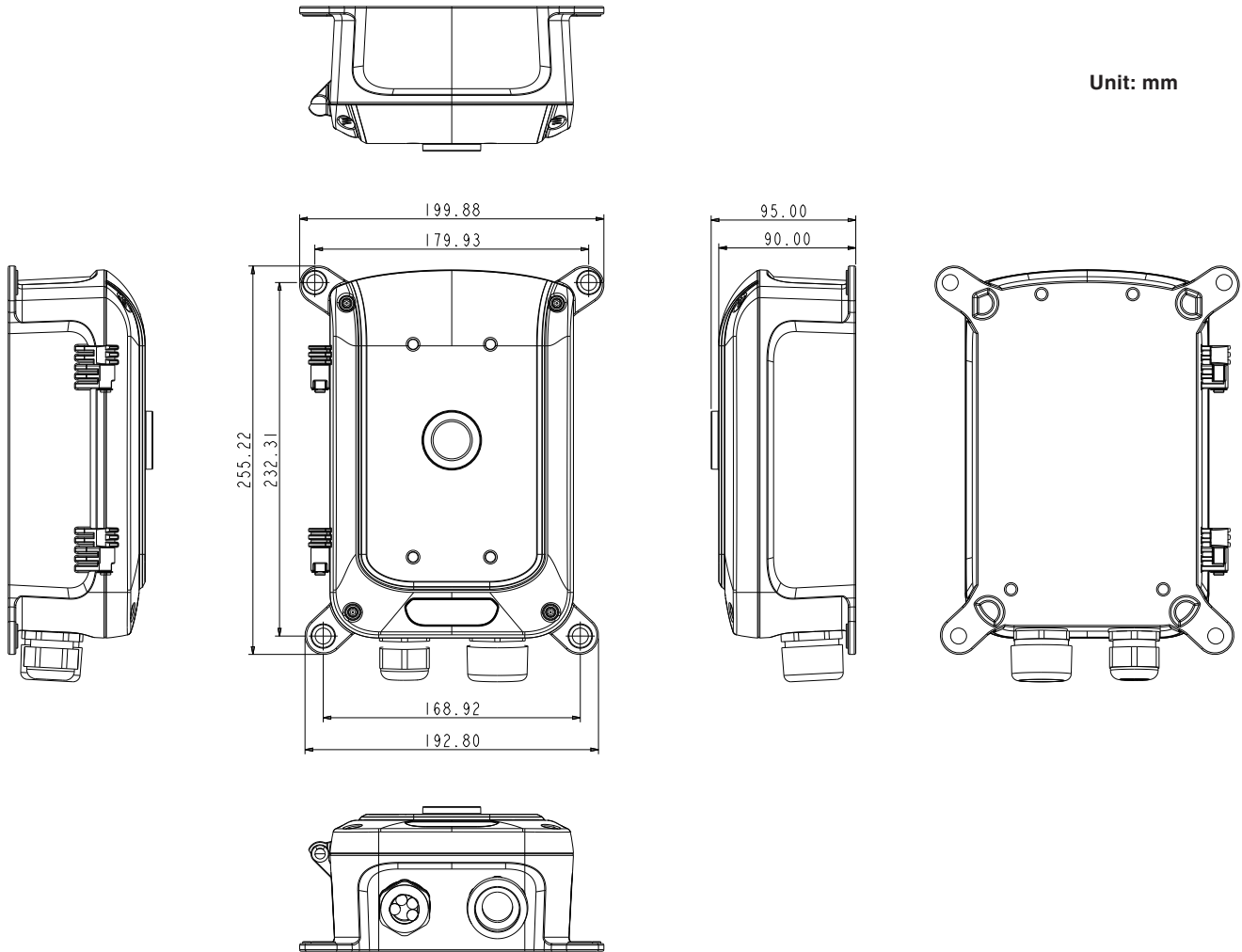
PoE Management	
Port Configuration	Supports per port PoE configuration function
PoE Scheduling	Supports per port PoE scheduling to turn on/off the PoE devices (PDs).
Auto-checking	Check the link status of PDs. Reboot PDs if there is no responses
Power Delay	The switch provides power to the PDs based on delay time when PoE switch boots up, in order to protect switch from misuse of the PDs.
IP Surveillance Graphical User Interface Specifications	
Automatic Discovery	Discover IP cameras complying ONVIF automatically
Topology View	Generate Topology maps to manage IP cameras
Floor view	It's easy to drag and drop PoE devices and help you to build smart workforces
Map view	Enhance efficiency to drag and drop devices and monitor surroundings on google map
Traffic Monitoring	Comprehensive chart to show traffic status
PoE Management	Reboot IP camera, Scheduling PoE on/off, alive checking, Power delay as PoE switch boots up, PoE configuration
Layer 2 Switching Specifications	
Spanning Tree Protocol	MAC Bridges Standard Spanning Tree (STP) 802.1d, Rapid Spanning Tree (RSTP) 802.1w, Multiple Spanning Tree (MSTP) 802.1s
IP/Mac Port Trunking	Link Aggregation Control Protocol (LACP) IEEE 802.3ad , Static aggregation.
VLAN	Supports up to 4K VLANs simultaneously (out of 4096 VLAN IDs), Port-based VLAN, 802.1Q tag-based VLAN
IGMP v1/v2 Snooping	IGMP limits bandwidth-intensive multicast traffic to only the requesters.
Layer 3 Switching Specifications	
DHCP Server	Assign IP to DHCP clients
Security	
Port Security	Locks MAC addresses to ports, and limits the number of learned MAC address
Storm Control	Prevents traffic on a LAN from being disrupted by a broadcast, multicast, or unicast storm on a port
Loop Protection	To prevent unknown unicast, broadcast and multicast loops in Layer 2 switching configurations.
QoS	
Classification	Port based, 802.1p VLAN priority based
Bandwidth Control	Ingress policer, Egress shaping and rate control, Per port
Management software	
Port Mirroring	Traffic on a port can be mirrored to another port for analysis with a network analyzer or RMON probe. Up to N-1 (N is Switch's Ports) ports can be mirrored to single destination port. A single session is supported.
IEEE 802.1ab (LLDP)	Used by network devices for advertising their identities, capabilities, and neighbors on an IEEE 802ab local area network, Support LLDP-MED extensions
Web GUI Interface	Built-in switch configuration utility for browser-based device configuration
SNMP	SNMP version1, 2c, 3
Flow Control	The IEEE 802.3x standard for monitoring high speed switched networks. It gives complete visibility into the use of networks enabling performance optimization, accounting/billing for usage, and defense against security threats
Firmware Upgrade	Web browser upgrade HTTP and TFTP
NTP	Network Time Protocol (NTP) is a networking protocol for clock synchronization between computer systems over packet-switched
Other Management	System, HTTP, HTTPS, DHCP Client, Cable Diagnostics, Syslog, IPV4/IPV6 Management, SSH, Telnet

Specifications

H60-022-90-120-A	
Software function: NTS (Monitoring and management of surveillance)	
NTS Edge	support
NTS Server	support
Networking	
Total Gigabit Ethernet Ports	4
Gigabit Ethernet 802.3af/at/bt/PoH PoE Ports	2
Gigabit Ethernet SFP Ports (100M/1G)	2
Forwarding Capacity	5.952Mpps
Mac Table	8K
Jumbo Frames	9,216 Bytes
Switching Capacity	8 Gbps
Power	
Input Power	100~240V AC and 48-56V DC Backup Input Power
ESD	Contact ±6 KV, Air ±8 KV
Redundant Mode	AC Primary / DC Secondary
Output Power per PoE Port	PoE IEEE 802.3af (Max. 15.4W) PoE+ IEEE 802.3at (Max. 30W) PoE++ IEEE 802.3bt/PoH (Max. 90W)
Output PoE Power Pin Assignment	12(-), 36(+), 45(+), 78(-)
Standby Power Consumption	110VAC: 8W 240VAC: 7.5W
PoE Output Power Budget	120W
Power Supply	150W
Surge Protection per PoE Port	Common mode : ±6 KV
Surge Protection for AC Power Input	10KV
Mechanical	
Pendant Arm Support Brand	Avigilon
Dimensions (W x D x H)	199.88 x 255.22 x 90 mm (7.9 x 10.0 x 3.5 in)
Weight	3.2 kg (7.05 lb)
Connectors	PF 3/4 x1 M25 cable gland with 5x 5mm holes x1 M25 cable gland with 1x 5.6mm + 1x8.6mm holes x1
Console	RJ45
Cooling Fan	Fanless
Environmental limits	
IP Rating / IK Rating	IP67 / IK10
Operating Temperature	-40°C ~ 65°C (-40°F ~ 149°F)
Storage Temperature	-40°C ~ 85°C (-40°F ~ 185°F)
Operating Humidity	5% ~ 95% non-condensing
Regulatory/ Approvals	
EMC	CE, FCC, VCCI, C-Tick
Safety	EN62368-1
Surge	EN61000-4-5
MTBF	>50000 hours
Optional Accessories	
Fiber Splice Tray	AT-302
Mounting Brackets	AT-100 / AT-101 / AT-200
SFP Module	SFP Module Model Table
Side Opening Alarm Switch Kit	BK-404
Others	
Compatible Avigilon Mounts	WLMT-1001 / WLMT-1021 / WLMT-1031 MNT-PEND-WALL / IRPTZ-MNT-WALL1

Dimension

Unit: mm



Optional Accessories

SFP Modules



SFP-ISX-X5

Industrial Gigabit SFP Transceiver

- MMF
- 0.5 km
- -40°C ~85°C



SFP-ISX-02

Industrial Gigabit SFP Transceiver

- MMF
- 2 km
- -40°C ~85°C



SFP-ILX-10

Industrial Gigabit SFP Transceiver

- SMF
- 10 km
- -40°C ~85°C



SFP-ILX-40

Industrial Gigabit SFP Transceiver

- SMF
- 40 km
- -40°C ~85°C



SFP-ITX-X1

Industrial Gigabit SFP Transceiver

- SFP
- 100 km
- -40°C ~85°C

Pole Mount Brackets



AT-100

Pole Mount Adapter



AT-101

Pole Mount Adapter

Corner Mount Bracket



AT-200

Corner Mount Adapter

Fiber Splice Tray



AT-302

Fiber Splice Tray