



C11-042-30-065-V2 PoE Switch

Quick Installation Guide

INTRODUCTION

The C11-042-30-065-V2 is a 4xFE PoE + 2xFE unmanaged PoE switch capable of feeding 15.4/30W (per port) power to Power over Ethernet (PoE) devices.

PACKAGE CONTENTS

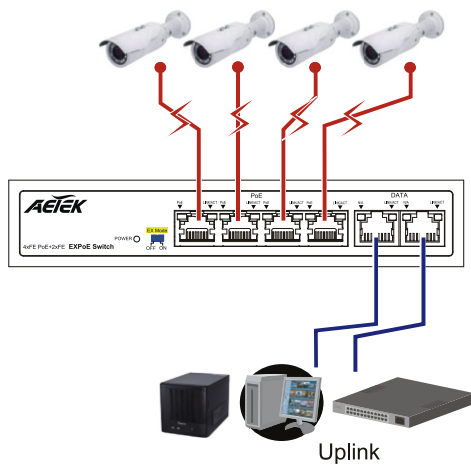
* 1x PoE switch	* 1x Quick Installation Guide
* 1x power cord (type by the shipped-to area)	

IMPORTANT:

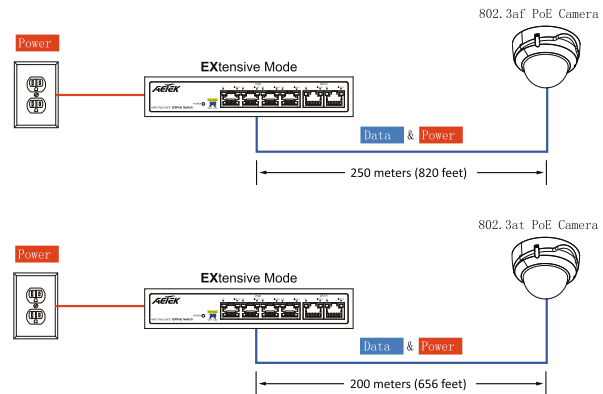
1. Install the PoE switch in a ventilated and dry place, that is free from electromagnetic source, vibration, moisture, and dust.
2. Make sure the ventilation openings on the switch are not blocked.
3. Use CAT5 or 6 UTP/STP cables.
4. AC input (100~240V/AC, 50~60Hz, 1.5A)

CONNECTION

Front Panel



Extensive Mode



LED DEFINITIONS

POWER	Green ON	Power is on and normal.
	Green OFF	Power is off.
LINK/ACT	Green ON	Ethernet port is connected.
	Blinking	Data is being transmitted or received.
	Green OFF	No connection.
PoE	Orange ON	Port is linked to a powered device.
	Blinking	Abnormal power supply is detected
	Orange OFF	No device is connected.

EXTENSIVE MODE DIP SWITCH

EX Mode OFF: normal communication between port 1~6.

EX Mode ON : The EX mode(Port 1 & 2), Up to 250m PoE distance allows you to expand you network via Ethernet cable to where there is no power line or outlet but where you want to fix device such as IP Camera.

- EX mode reaches 802.3af(12.95W) camera up to 250m@10Mbps via EXPoE ports
- EX mode reaches 802.3at(24W) camera up to 200m@10Mbps via EXPoE ports

Restart the switch after changing the Extensive mode.

*Effect factors

- 1.Must connect af PoE PD.
- 2.Poor cabling quality with insufficient copper.
- 3.IP camera's networking design could not support 10Mbps@250m transmission.

**Suggestion

- 1.Checking the interoperability reaching 10Mbps@250m before physical deployment.
- 2.Adjust to "EX Mode OFF" reaching 10/100Mbps@100m if "EX Mode ON" is fail.