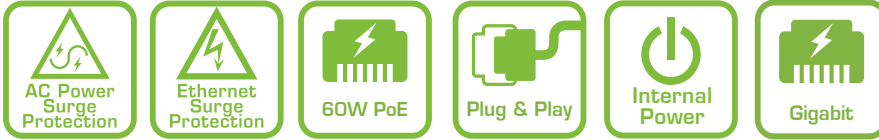


I36-210-V2

Gigabit 60W bt PoE++ Injector

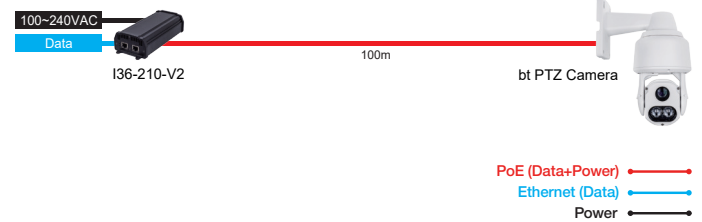


AETEK provides a full range of 60W PoE injectors to power variety of PDs and pass data over network cables remotely. Indoor 60W PoE middle-span PoE injector are available for specific PDs requiring high power consumption, such as IP speed dome cameras, PoE cameras or PoE camera housing equipped with blower, heater, illuminator and wiper.

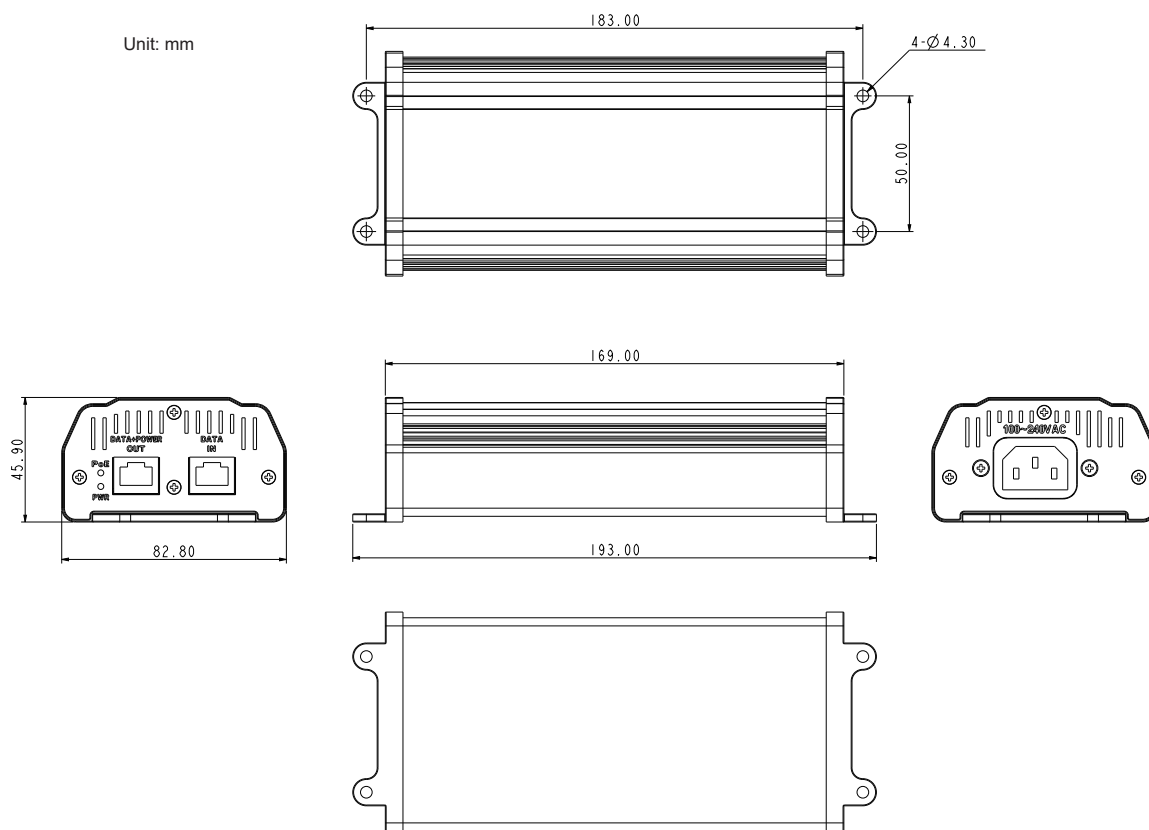
Features

- Provide 60W of PoE Power Feeding on 4-pairs
- 6KV PoE surge protection
- Remote power feeding up to 100m
- IEEE 802.3 bt/at/af compliant
- Automatic detection and protection of non-standard Ethernet terminals
- Supports 10/100/1000Base-T LAN environment
- Safe and reliable power to PoE cameras or WLAN access points
- Plug-and-Play installation

Applications




Dimension



Technical Specifications - Hardware

I36-210-V2	
Networking	
Total Gigabit Ethernet Ports	2
Gigabit Ethernet 802.3af/at/bt PoE Ports	1 x 60W bt PoE
Gigabit Ethernet RJ45 Ports	1
Power	
Input Voltage	100-240VAC
Output Power per PoE Port	55VDC PoE IEEE 802.3af (Max. 15.4W) PoE+ IEEE 802.3at (Max. 30W) PoE++ IEEE 802.3bt (Max. 60W)
Output PoE Power Pin Assignment	12(-), 36(+), 45(+), 78(-)
Surge Protection per PoE Port	6KV
Surge Protection for AC power	4KV
Mechanical	
Dimensions (W x D x H)	193 x 82.8 x 45 mm
Weight	0.58 kg (1.28 lb)
Environmental	
Operating Temperature	-10°C ~ 50°C (14°F ~ 122°F)
Storage Temperature	-20°C ~ 70°C (-4°F ~ 158°F)
Operating Humidity	10% ~ 90% non-condensing
Certifications	
EMC	CE, FCC, VCCI, C-Tick
Safety	EN62368-1
Surge	EN61000-4-5

Ordering Information

	<p>I36-210-V2</p> <ul style="list-style-type: none"> Indoor GbE 60W bt PoE Injector 100-240VAC Input
---	---