



JB-100-B Junction Box

Quick Installation Guide

PACKAGE CONTENTS

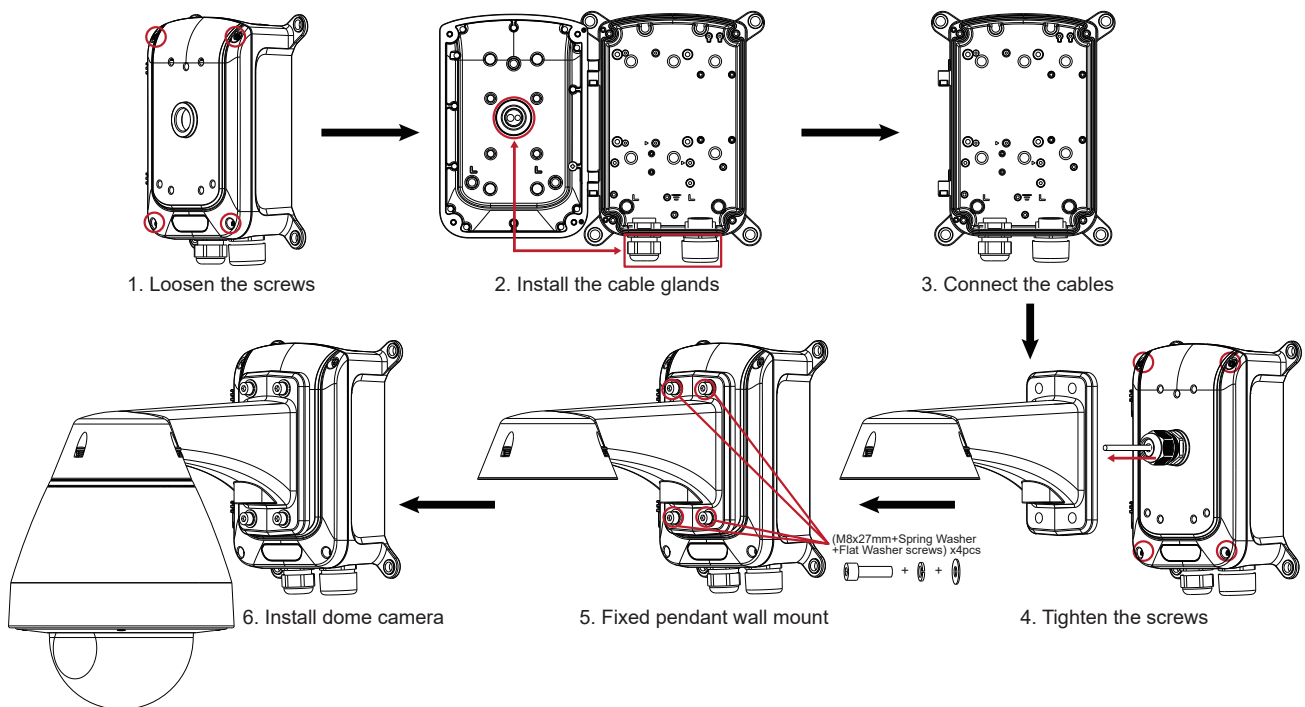
* 1x Junction Box	* 1x Quick Installation Guide
* 1x T25 L-wrench	* 1xM25 5 hole cable gland + 1xM25 2 hole cable gland + 1* PF3/4" conduit cable gland + 1* M25 blind plug

⚠ IMPORTANT:

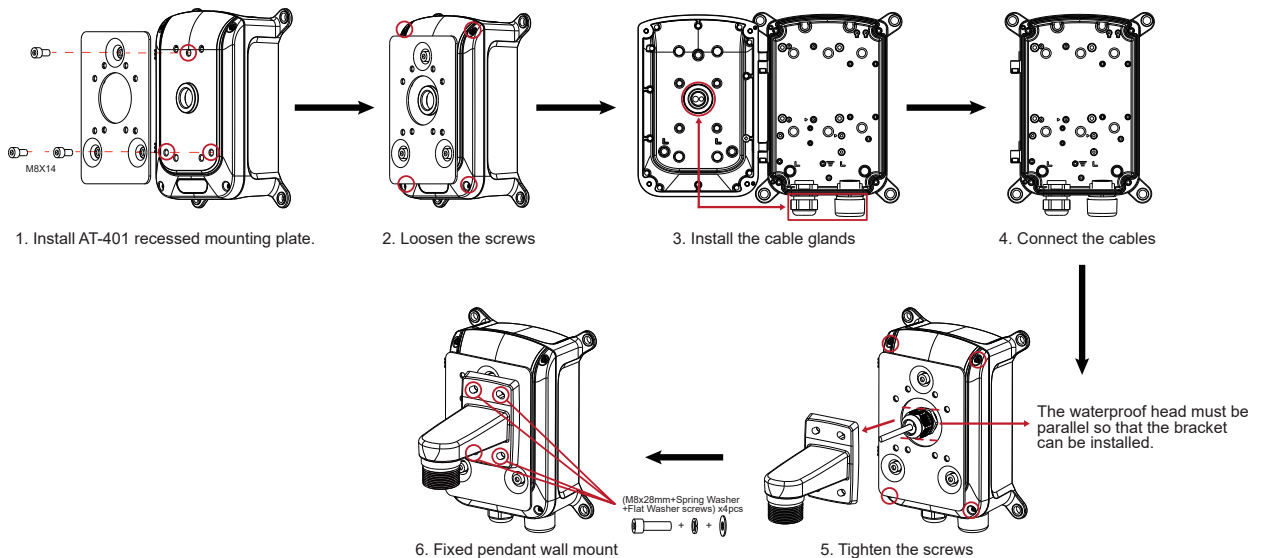
1. Install the junction box in a ventilated and dry place that is free of electromagnetic source, vibration, moisture, and dust.
2. Make sure the ventilation openings on the junction box are not blocked.

Installation

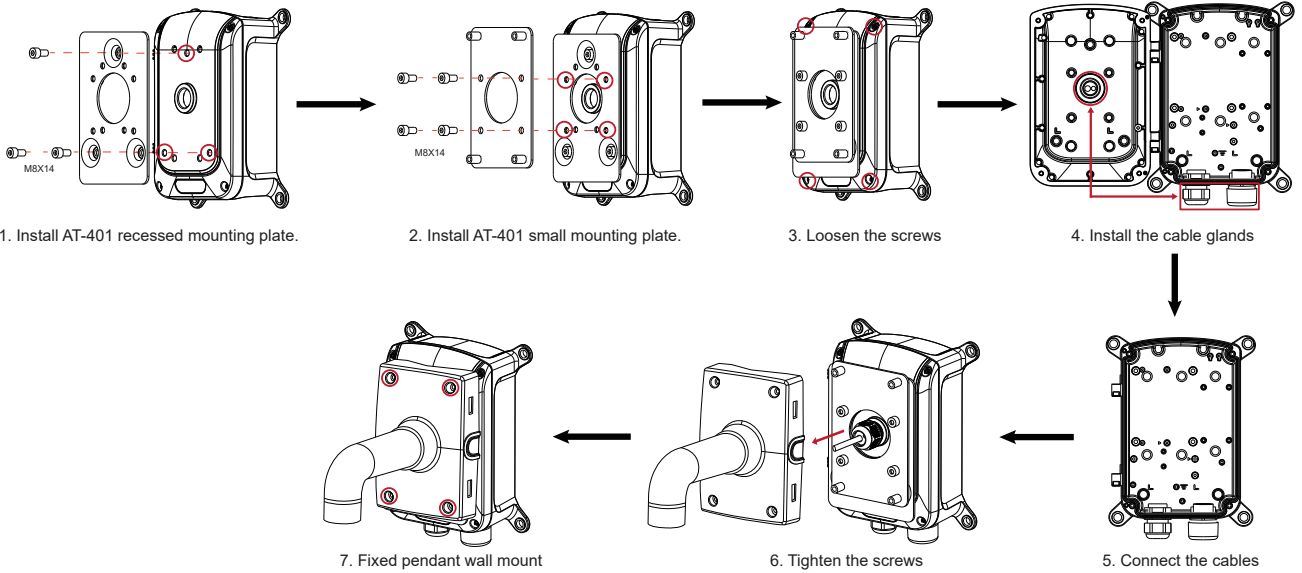
with Avigilon IRPTZ-MNT-WALL1 / MNT-PEND-WALL / WLMT-1001 / WLMT-1021 / WLMT-1031



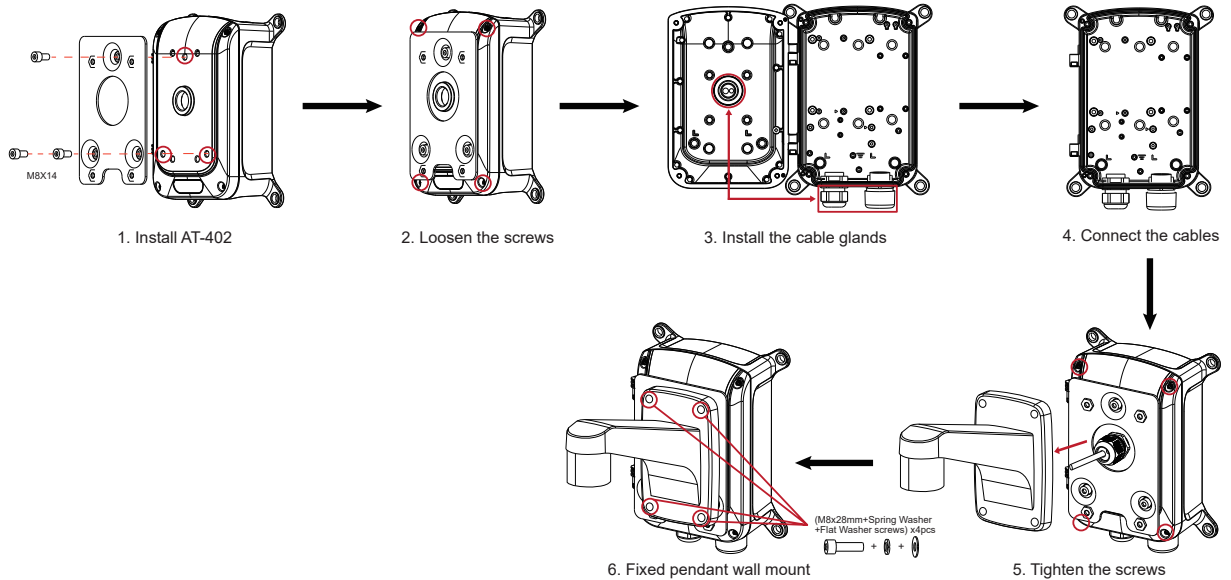
with AXIS T91E61



with AXIS T91D61



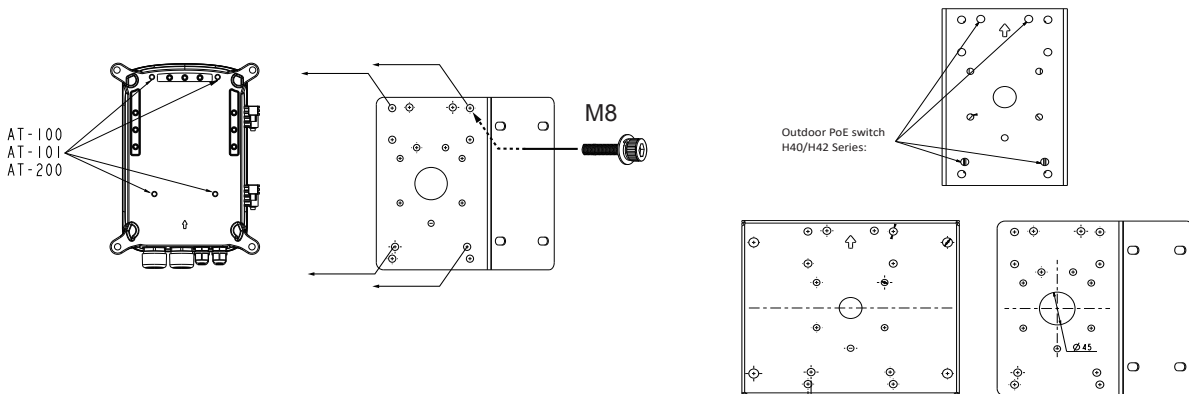
with HANWHA SBP-300MMW1



INSTALLATION

Use the included M8 hex socket screws to secure the power box to a pole-mount or corner mount bracket.

The mounting hole definition is illustrated below. The same mounting hole pattern apply to all pole-mount and corner-mount brackets.



All specifications are subject to change without notice.
Copyright © 2026 AETEK INC. All rights reserved.