

INTRODUCTION

Model	Power Source	Description
XE10-110-TX-V2	56VDC or EPoC RX	EPoC Tx Adapter, 1x EPoC BNC, 1x FE RJ45, 1 DC Jack, -20°C~60°C
XE11-110-RX-V2	Connect 56V/1.76A(Max.)	EPoC PoE in Rx Adapter, 1x EPoC BNC, 1x FE RJ45, -20°C~60°C

PACKAGE CONTENTS

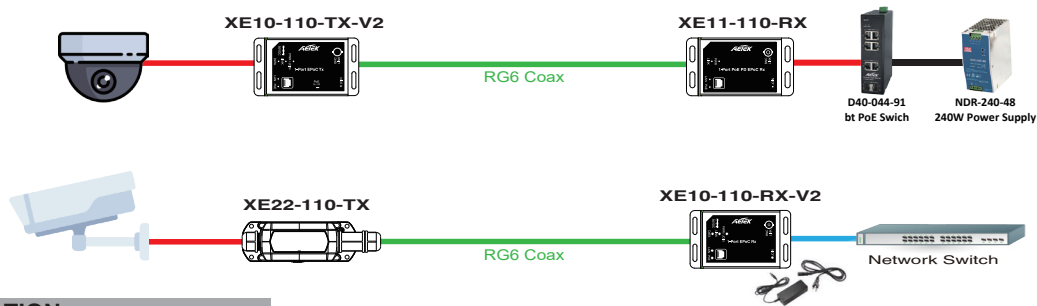
* 1x Quick Installation Guide

⚠ IMPORTANT:

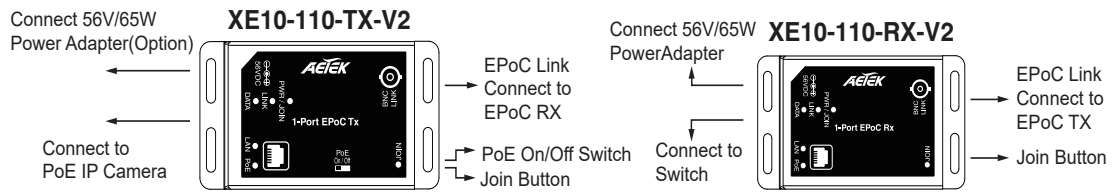
1. Use CAT5e or CAT6 UTP/STP cables, and coaxial cable.
2. Please avoid using low quality cables, which will seriously limit the cabling distance and power delivery.
3. Make sure the power source is sufficient for your configuration.
4. When powering the XE11-110-RX-V2 via a PoE Switch, electrical isolation is mandatory between the two devices to prevent direct electrical contact.

CONNECTION

Application :

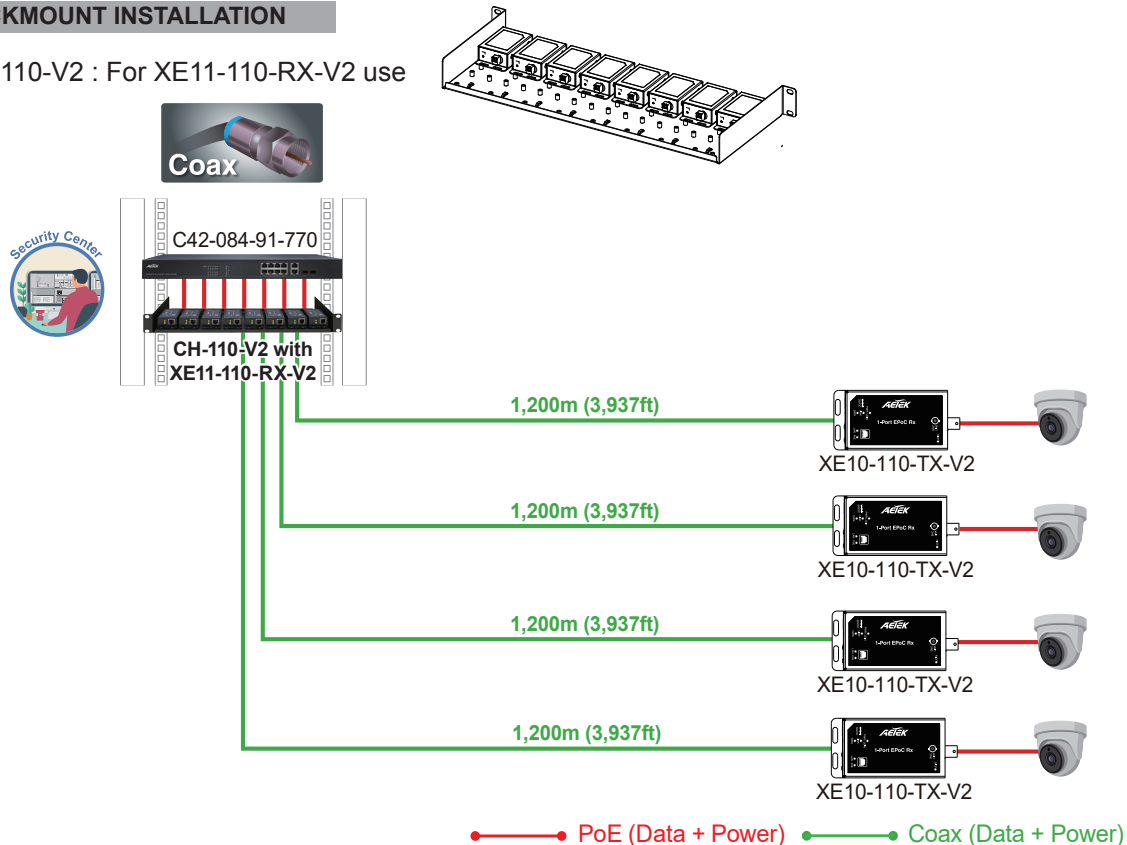


INSTALLATION



RACKMOUNT INSTALLATION

CH-110-V2 : For XE11-110-RX-V2 use



Distance/Power Chart

Length of Coaxial Cable	
300m	34.72W
500m	25.2W
800m	13.11W
1000m	10W
1200m	9.66W
1200m ~ 2400m	Data only (100Mbps)

NOTE:

1. The numbers comply using RG6 coaxial cables.
2. The length of network cable for camera connection is 1m CAT5e cable.
3. The power delivery will vary on the quality of coaxial cable due to resistance.

LEDs

PoE	Yellow ON	PoE: Power port is connected to PD
LAN	Green flash	LAN: Data is being transmitted or received.
	OFF	No connection
PWR	Yellow ON	Power is supplied
LINK	Green ON	Rx and Tx EPoC adapter is connected.
DATA	Green flash	BNC: Data is being transmitted or received.

DIP Switch

NOTE: The PoE On/Off switch is only available on XE10-110-TX-V2

DIP#	On	Delivery PoE output to PD device
	Off	No PoE output to PD device

* When Connect PoE Switch Data or PoE port ,The DIP Switch need off.

Join Button

- Press the Join button for 1-3 seconds on both Local and Remote Extenders to Link them.
- Press the Join button on the Remote Extender for 5-8 seconds to disconnect the Link between the Extenders
- Press the Join button for 10~15 seconds to reset the Extender to default.