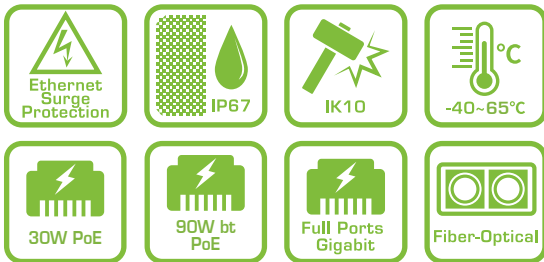


H40-DC series

Outdoor IP67 / IK10 Gigabit PoE Switch, 12-56VDC Input



The H40 series of **Harden-Graded Industrial PoE Switches** are designed with IP67, 6KV PoE Ethernet port surge protection, and operation temperature between -40°C and 65°C during harsh weather conditions.

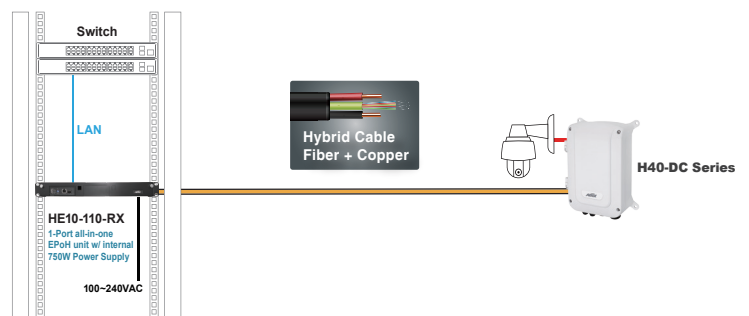
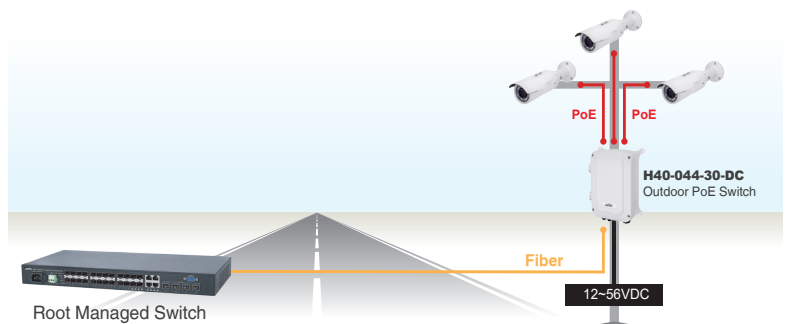
They enable outdoor connections of PoE PDs to the network such as outdoor IP cameras, wireless APs, and other industrial applications.

The H40 series provide multi-port Gigabit PoE (10M/100M/1G) delivering data and power to PoE PDs over a single network cable as well as additional SFP transceiver slots for flexible uplink. The H40 series has three sub-models classified as easy-to-install power source equipment (PSE) and provide power up to 30W or 60W or 90W per port.

Features

- Flexible SFP transceiver ports for uplink
- IP67 standard
- IK10 impact rated cast aluminum housing
- Operating temperature between -40°C and 65°C
- 30W per port IEEE802.3at compliant (H40-044-30-DC)
- IEEE 802.3bt 90W bt PoE (H40-022-91-DC-V2, H40-044-91-DC)
- Supporting 10/100/1000Mbps data rates
- 6KV PoE surge protection
- IEEE 802.3az Energy Efficient Ethernet standard for green power

Applications



Specifications

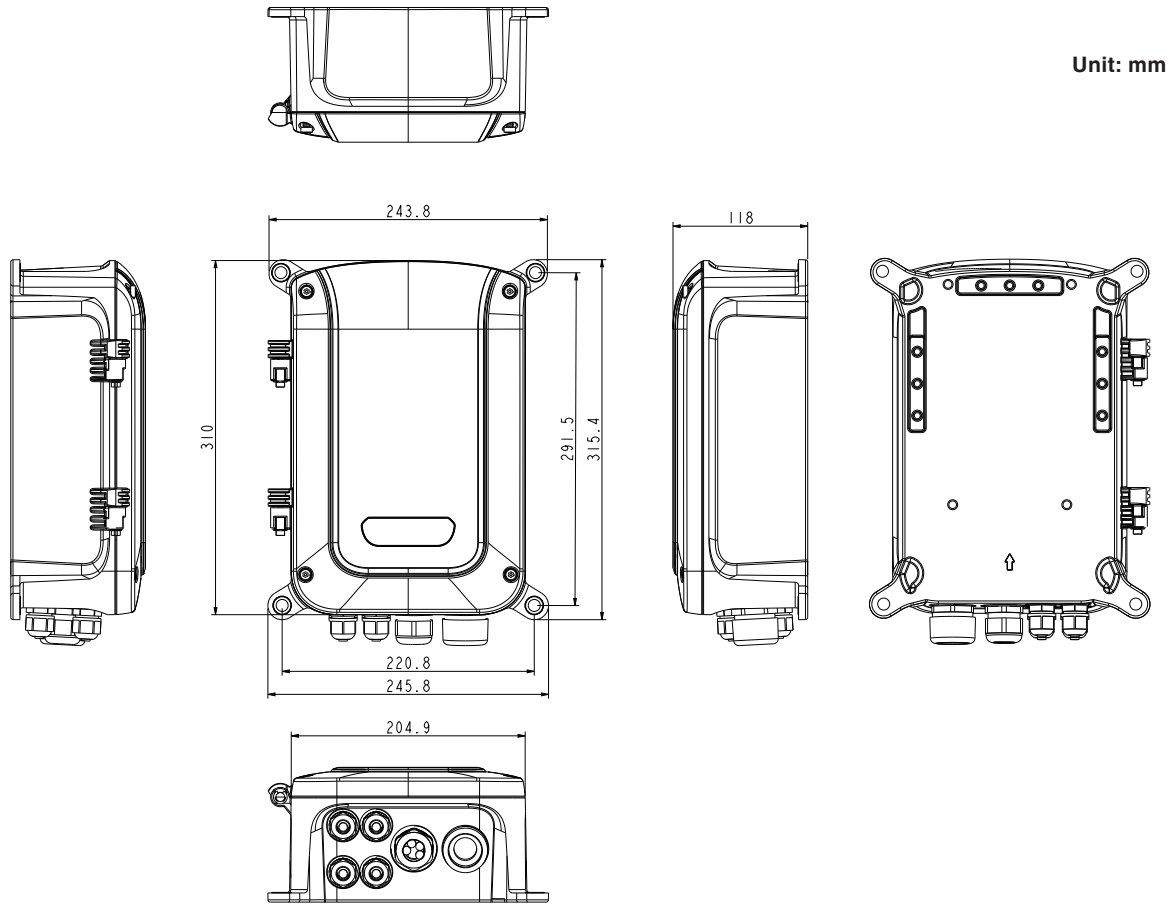
	H40-044-30-DC	H40-044-91-DC	H40-022-91-DC-V2
Networking			
Total Gigabit Ethernet Ports	8	8	4
Gigabit Ethernet 802.3af/at/bt PoE Ports	4 x 30W at PoE	4 x 90W bt PoE	2 x 90W bt PoE
Gigabit Ethernet SFP Ports (100M/1G)	2	2	2
Gigabit Ethernet RJ45 Ports	2	2	-
Forwarding Capacity	11.904Mpps	11.904Mpps	11.904Mpps
Mac Table	8K	8K	8K
Jumbo Frames	9,216 Bytes	9,216 Bytes	9,216 Bytes
Switching Capacity	16 Gbps	16 Gbps	8 Gbps
Power			
Input Voltage	Dual 12-56VDC	Dual 12-56VDC	Dual 12-56VDC
Output Power per PoE Port	PoE IEEE 802.3af (Max. 15.4W) PoE+ IEEE 802.3at (Max. 30W)	PoE IEEE 802.3af (Max. 15.4W) PoE+ IEEE 802.3at (Max. 30W) PoE++ IEEE 802.3bt (Max. 90W)	PoE IEEE 802.3af (Max. 15.4W) PoE+ IEEE 802.3at (Max. 30W) PoE++ IEEE 802.3bt (Max. 90W)
Output PoE Power Pin Assignment	12(+), 36(-)	12(-), 36(+), 45(+), 78(-)	12(-), 36(+), 45(+), 78(-)
System Power Consumption (without PoE)	5W	5W	5W
PoE Output Power Budget	12VDC: 90W 24VDC: 120W 48VDC: 120W	12VDC: 90W 24VDC: 160W 48VDC: 360W	12VDC: 90W 24VDC: 180W 48VDC: 180W
Surge Protection per PoE Port	6KV	6KV	6KV
Mechanical			
Dimensions (W x D x H)	245.8 x 315.4 x 118 mm	245.8 x 315.4 x 118 mm	199.88 x 255.22 x 90 mm
Weight	4.2 kg (9.26 lb)	4.3 kg (9.48 lb)	3.2 kg (7.05 lb)
Reset Button	3 sec.: Reset	3 sec.: Reset	3 sec.: Reset
Environmental			
IP Rating	IP67	IP67	IP67
IK Rating	IK10	IK10	IK10
Operating Temperature	-40°C ~ 65°C (-40°F ~ 149°F)	-40°C ~ 65°C (-40°F ~ 149°F)	-40°C ~ 65°C (-40°F ~ 149°F)
Storage Temperature	-40°C ~ 85°C (-40°F ~ 185°F)	-40°C ~ 85°C (-40°F ~ 185°F)	-40°C ~ 85°C (-40°F ~ 185°F)
Operating Humidity	5% ~ 95% non-condensing	5% ~ 95% non-condensing	5% ~ 95% non-condensing
Certifications			
EMC	CE, FCC, VCCI, C-Tick Class A	CE, FCC, VCCI, C-Tick Class A	CE, FCC, VCCI, C-Tick Class A
Safety	EN62368-1	EN62368-1	EN62368-1
Surge	EN61000-4-5	EN61000-4-5	EN61000-4-5

Ordering Information

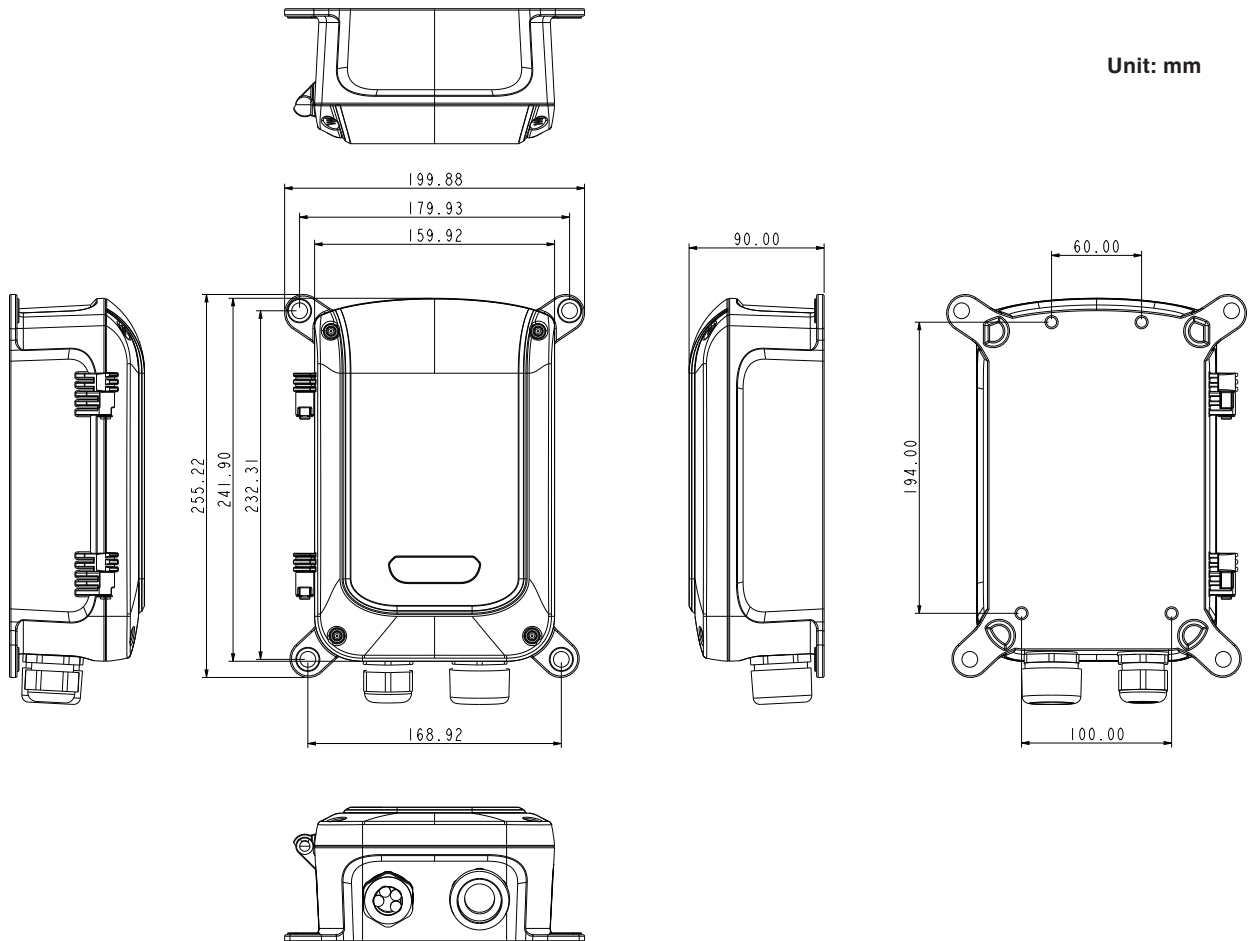
PoE Switches			
	H40-044-30-DC <ul style="list-style-type: none"> 4xGbE PoE (30W) + 2xGbE SFP + 2xGbE RJ45 12-56VDC Input 		H40-044-91-DC <ul style="list-style-type: none"> 4xGbE bt PoE (90W) + 2xGbE SFP + 2xGbE RJ45 12-56VDC Input
	H40-022-91-DC-V2 <ul style="list-style-type: none"> 2xGbE bt PoE (90W) + 2xGbE SFP 12-56VDC Input 		

Dimension

- H40-044-30-DC / H40-044-91-DC



- H40-022-91-DC-V2



Optional Accessories

SFP Modules



SFP-ISX-X5

Industrial Gigabit SFP Transceiver

- MMF
- 0.5 km
- -40°C ~85°C



SFP-ISX-02

Industrial Gigabit SFP Transceiver

- MMF
- 2 km
- -40°C ~85°C



SFP-ILX-10

Industrial Gigabit SFP Transceiver

- SMF
- 10 km
- -40°C ~85°C



SFP-ILX-40

Industrial Gigabit SFP Transceiver

- SMF
- 40 km
- -40°C ~85°C

Pole Mount Brackets



AT-100

Pole Mount Adapter



AT-101

Pole Mount Adapter

Corner Mount Bracket



AT-200

Corner Mount Adapter

Fiber Splice Tray



AT-302

Fiber Splice Tray



AT-303 / AT-303-V2

Fiber Splice Tray

Accessories



HE10-110-RX

1-CH EPoH RX Base



CH-200

6-CH Power & Fiber Distribution Chassis