



H60-022-90-DC Outdoor PRO L2 PoE Switch

Quick Installation Guide

P/N: 5019068600

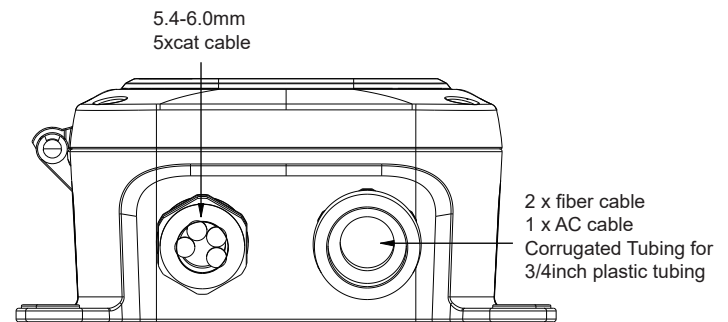
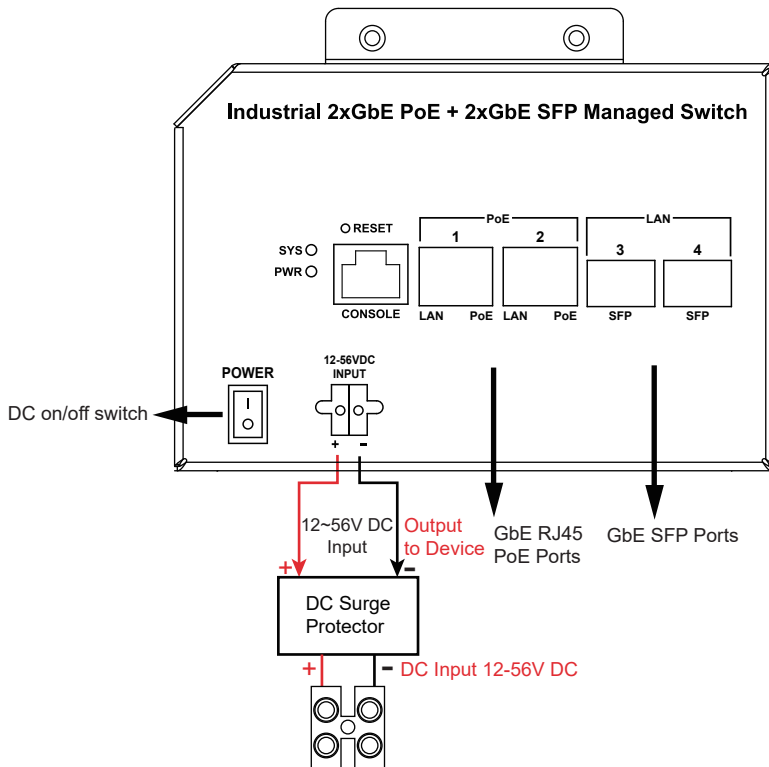
Model	Description
H60-022-90-DC	2xGbE 90W bt/PoH PoE+2xGbE SFP 12-56V DC Input

PACKAGE CONTENTS

* 1x PoE switch	* 1x Quick Installation Guide	* 1x Console cable
* 1x T25 L-wrench	* 1x Corrugated Tubing , 1x M25 screw plug, 1xM25 5 hole.	

⚠ IMPORTANT:

1. Install the PoE switch in a ventilated and dry place that is free of electromagnetic source, vibration, moisture, and dust.
2. Make sure the ventilation openings on the switch are not blocked.
3. Use CAT5 or 5e UTP/STP cables.
4. DC input (12~56V DC input)



Reset button

Task	Method	SYS LED Behavior	Port Status LED Behavior
Reset	Press 2 ~ 7 seconds	Blinking Green	All LEDs Off.
Restore Defaults	Press 7 ~ 12 seconds	Blinking Green	All LEDs On.

SYS LED

LED	Color	State	Description
System	Yellow	On	System ON
		Off	System OFF

Power LEDs

LED	Color	State	Description
Power1	Green	On	Powered on correctly.
		Off	Not receiving power from power1.
Power2	Green	On	Powered on correctly.
		Off	Not receiving power from power2.

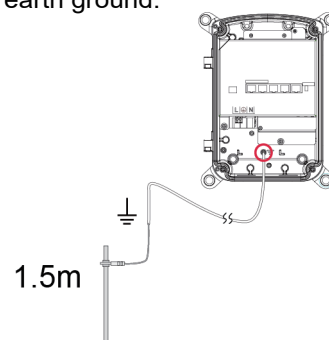
DEFAULTS

IP Address	192.168.1.1
Subnet Mask	255.255.255.0
User Name	admin
Password	admin

Console Port Defaults

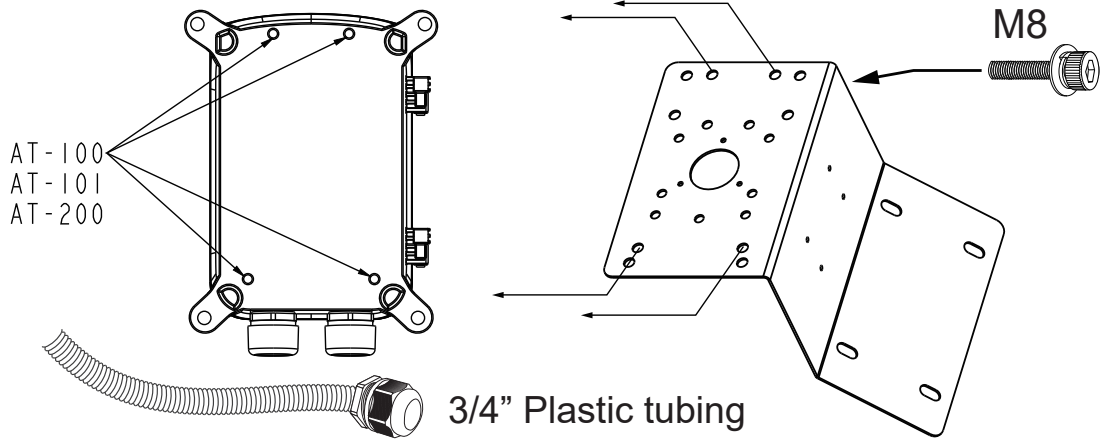
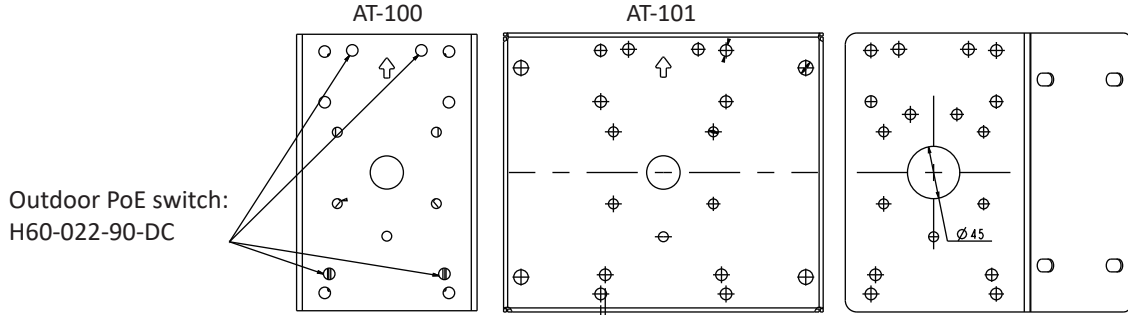
Baud rate	115200
Stop bits	1
Data bits	8
Parity	N
Flow control	none

The cabinet must be grounded using a ground wire between the ground screw and earth ground.



Port Status LEDs

LED	Color	State	Description
RJ45 Ports (PoE)	Amber	On	The port is enabled and supplying power to connected device.
	-	Off	The port has no active connection, or it is not connected to a PoE PD device. Otherwise, the port may have been disabled through the switch user interface.
RJ45 Ports (LAN)	Green	On	The port is enabled and established a link to connected device.
	Green	Blinking	The port is transmitting/receiving packets.
	-	Off	The port has no active network connection, or it has no established link to connected device. Otherwise, the port may have been disabled through the switch user interface.
SFP Ports	Green	On	The port is enabled and established a link to connected device.
	Green	Blinking	The port is transmitting/receiving packets.
	-	Off	The port has no active network connection, or it has no established link to connected device. Otherwise, the port may have been disabled through the switch user interface.



DC Power Cable Spec.

Wire Size	10~18AWG
Wire Strip Length	8mm

