

Model	Description	Model	Description
E59-101	Indoor 1 PoE IN to 1 PoE OUT	E69-101	Outdoor 1 PoE IN to 1 PoE OUT
E59-102	Indoor 1 PoE IN to 2 PoE OUT	E69-102	Outdoor 1 PoE IN to 2 PoE OUT
E59-201	Indoor 1 PoE IN to 1 PoE OUT	E69-201	Outdoor 1 PoE IN to 1 PoE OUT
E59-202	Indoor 1 PoE IN to 2 PoE OUT	E69-202	Outdoor 1 PoE IN to 2 PoE OUT
E59-602	Indoor Voltage Booster 1 PoE IN to 2 PoE OUT	E69-602	Outdoor Voltage Booster 1 PoE IN to 2 PoE OUT

PACKAGE CONTENTS

• 1x PoE Extender	• 1x Quick Installation Guide
-------------------	-------------------------------

⚠ IMPORTANT:

1. Install the device in a ventilated and dry place, that is free of electromagnetic source, vibration, moisture, and dust.
2. Make sure the ventilation openings on the extender are not blocked.
3. Use CAT.5e or 6 UTP/STP cables. Avoid using low-quality cables, which will seriously limit the cabling distance.

CONNECTION

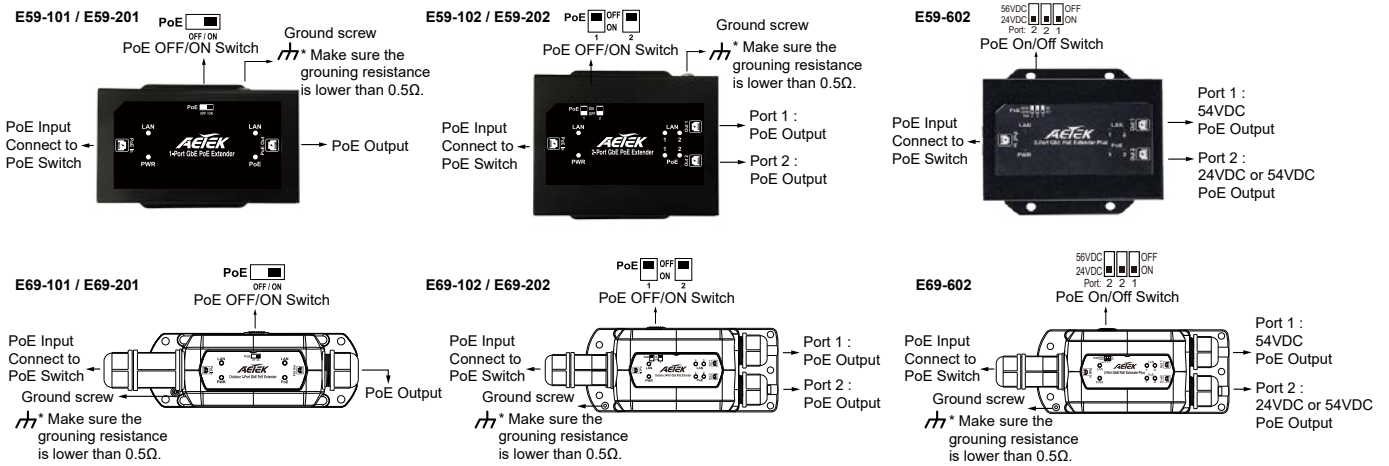
Following are the conditions for making the cabling:

1. Use 18~19Ω, 24AWG CAT.5e cables.
2. Typical cameras stream size feature = 1080p@30fps - 6Mbps; 720p@30fps - 3Mbps.

Make sure the combined bandwidth consumption does not exceed the uplink bandwidth from the PoE switch.

NOTE: There are power losses due to cable resistance.

INSTALLATION



LED DEFINITIONS

LED	Status	Description
PWR	Green ON	PoE IN port is connected to PSE.
	OFF	No PoE IN connection.
PoE	Green or Amber ON	Power over ethernet cable status
	OFF	Ethernet cable no Power
LAN	Green ON	Data link is detected.
	Green Flashing	Data is being transmitted or received.
	OFF	Link is not detected.

PoE DIP SWITCH DEFINITIONS

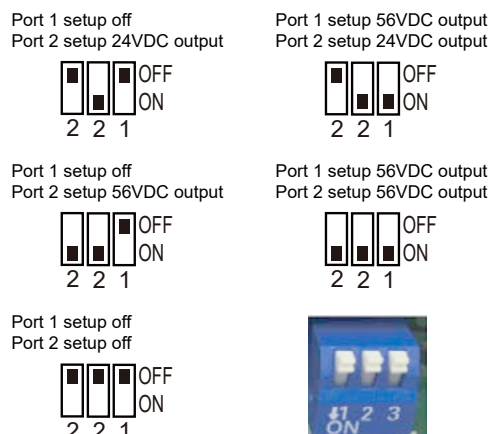
E59-101 / E59-102 / E69-101 / E69-102

Pin	Switch	Action
Pin 1	ON	Port 1 Turn on PoE output
	OFF	Port 1 Turn off PoE output
Pin 2 (E59-102 / E69-102 only)	ON	Port 2 Turn on PoE output
	OFF	Port 2 Turn off PoE output

E59-602 / E69-602

Pin	Switch	Action
Pin 1	ON	Port 1 Turn on PoE output
	OFF	Port 1 Turn off PoE output
Pin 2	ON	Port 2 Turn on PoE output
	OFF	Port 2 Turn off PoE output
Pin 3	ON	Port 2 56VDC PoE output
	OFF	Port 2 24VDC PoE output

E59/E69-602 Dip Switch Setup



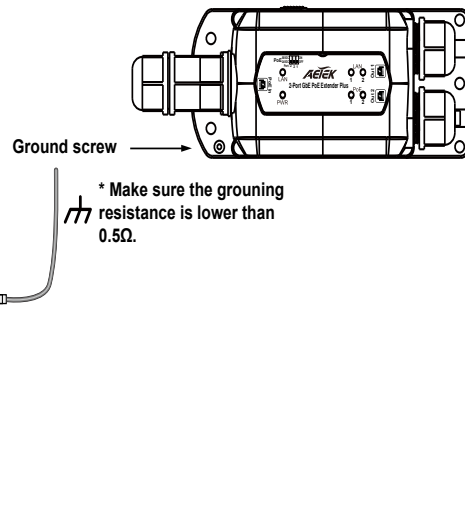
If the device that is going to be connected to this extender is not PoE PD, please turn off the PoE output function.
(E59-101, E59-102, E69-101, E69-102, E59-602, E69-602)

E69-101 / E69-102 / E69-201 / E69-202 / E69-602 :

IMPORTANT:

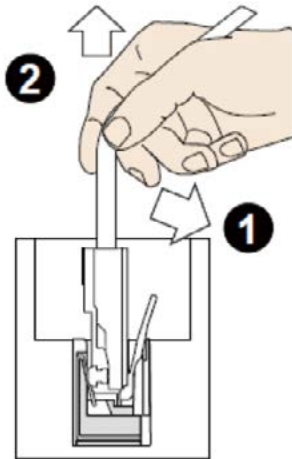
NOTE:

The Outdoor PoE Extender must be grounded using a ground wire between the ground screw and earth ground.



PoE Output Port

To disconnect a LAN cable, loosen the cable gland and pull the cable against the socket wall towards the side of the locking tab.

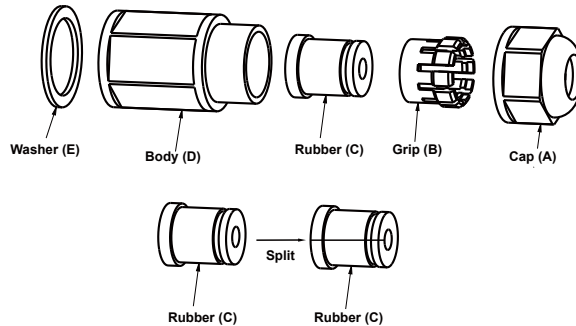


PoE Input Port Connector Assembly

IMPORTANT -

please follow the procedures below carefully to ensure the best seal:

1. Fit a RJ45 plug to the Cat5e/6 cable
2. Thread the Cat5e/6 cable through the cap(A) & grip(B)
3. Split rubber(C), rubber have two sizes for meet 4.5~6.5mm Cat5e/6 cable.
4. Fit the split rubber(C) over the Cat5e/6 cable
5. Thread the Cat5e/6 cable through the body(D)
6. Fit the washer(E) to the Outdoor PoE Extender connector
7. Plug the RJ45 connector on the Cat5e/6 cable into the Outdoor PoE Extender
8. Hold Outdoor PoE Extender and then screw the body(D) onto the Outdoor PoE Extender connector tighten firmly
9. Push rubber(C) in the grip(B) and screw the cap tighten firmly. The Cat5e/6 cable is sealed when the rubber(C) & grip(B) bulges to the edge of the cap(A).



Application

