

### INTRODUCTION

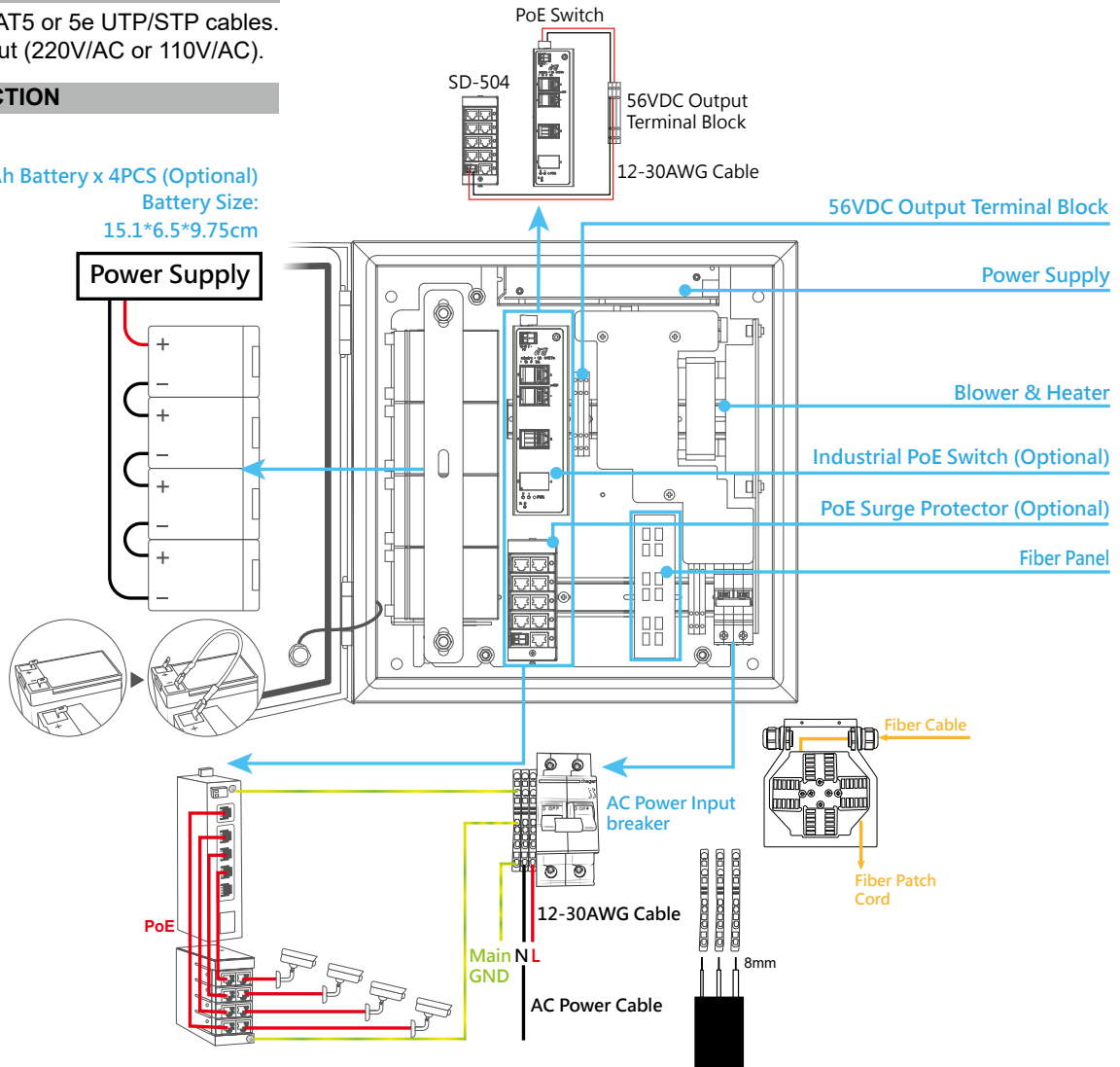
Model	Description
OS-100-250	Outdoor Surveillance system

### IMPORTANT:

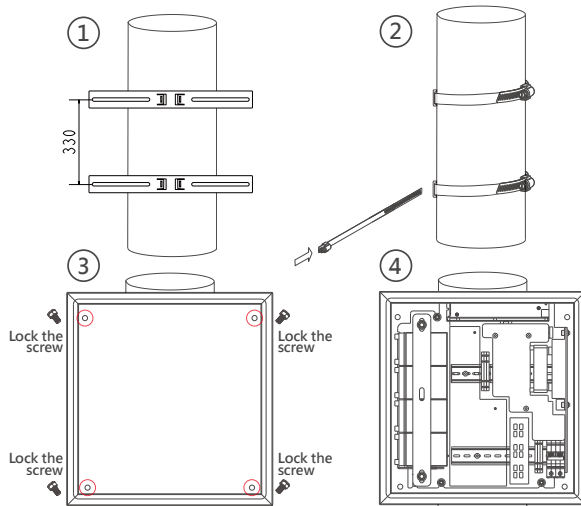
1. Use CAT5 or 5e UTP/STP cables.
2. AC input (220V/AC or 110V/AC).

### CONNECTION

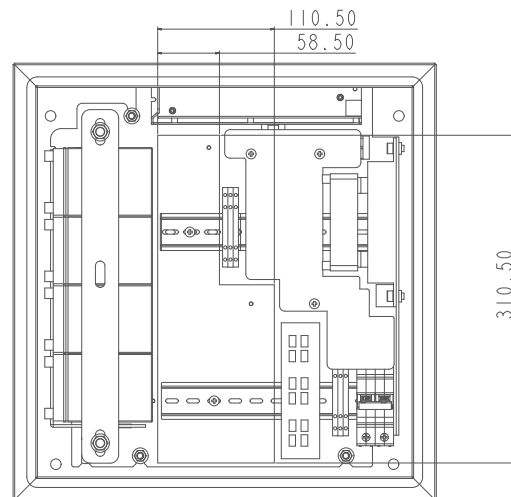
12V/7Ah Battery x 4PCS (Optional)  
 Battery Size:  
 15.1\*6.5\*9.75cm



Install Pole Mount Bracket step



Space where PoE Switch can be installed



All specifications are subject to change without notice.  
 Copyright © 2023 AETEK INC. All rights reserved.