

I63-216

Industrial 2-Port Gigabit PoE+ Injector, 12-48VDC Input



12-48VDC
INPUT

30W PoE

Plug & Play

-40~75°C

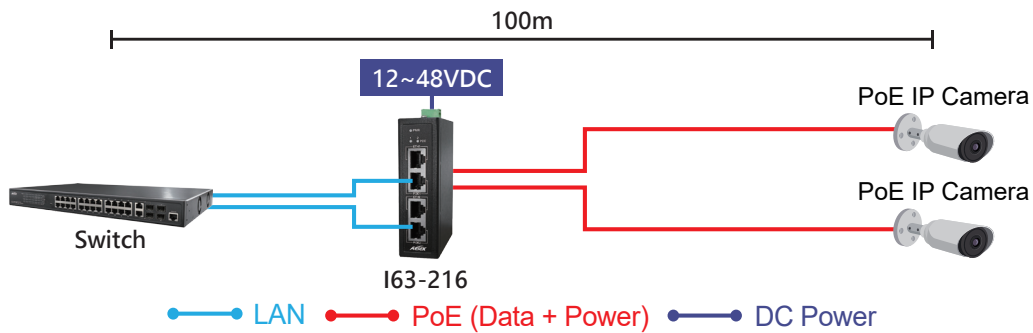
802.3at
Mid-span
802.3af

Gigabit

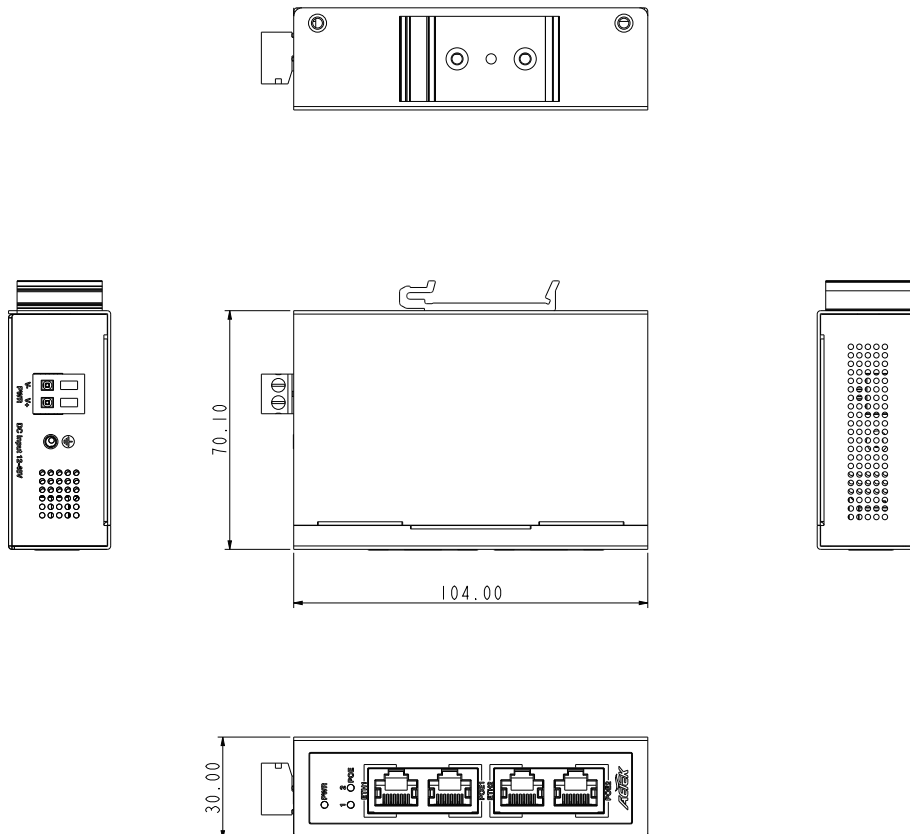
Features

- Provides 30W at PoE Power Feeding on 2-pairs
- 6KV PoE surge protection
- Remote power feeding up to 100m
- IEEE 802.3at/af compliant
- Automatic detection and protection of non-standard Ethernet terminals
- Supports 10/100/1000Base-T LAN environment
- Safe and reliable power to PoE cameras or WLAN access points
- Plug-and-Play installation

Applications



Dimensions



Technical Specifications

Networking Specifications	
Gigabit Ethernet 10/100/1000Mbps (RJ45)	2
IEEE 802.3at Power over Ethernet	Support
Power Specifications	
Input Voltage	12~48V DC
Output Power per Port	30W at PoE
Power Pin Assignment	45(+),78(-)
Surge Protection Data / PoE Port	6KV
Mechanical Specifications	
Dimensions (W x D x H)	30 x 70.1 x 104 mm
LED Indicators	Power, PoE
Weight	0.3 kg (0.67 lb)
Installation	Din-Rail
Environmental Specifications	
Operating Temperature	-40°C ~ 75°C (-40°F ~ 167°F)
Storage Temperature	-40°C ~ 85°C (-40°F ~ 185°F)
Operating Humidity	10% to 90% non-condensing
Certifications	
EMC	CE, FCC, VCCI, C-Tick