

INTRODUCTION

Model	Support Model	Description
CH-100-V2	XE10-110-RX / TE10-110-RX / 2E10-110-RX / XE11-110-RX-V2 / TE11-110-RX-V2 / 2E11-110-RX-V2	19", 1U 4-bay rack mount chassis
CH-110-V2	XE11-110-RX / TE11-110-RX / 2E11-110-RX / XE11-110-RX-V2 / TE11-110-RX-V2 / 2E11-110-RX-V2 / SD-101 / SD-301	19", 1U 8-bay rack mount chassis

PACKAGE CONTENTS

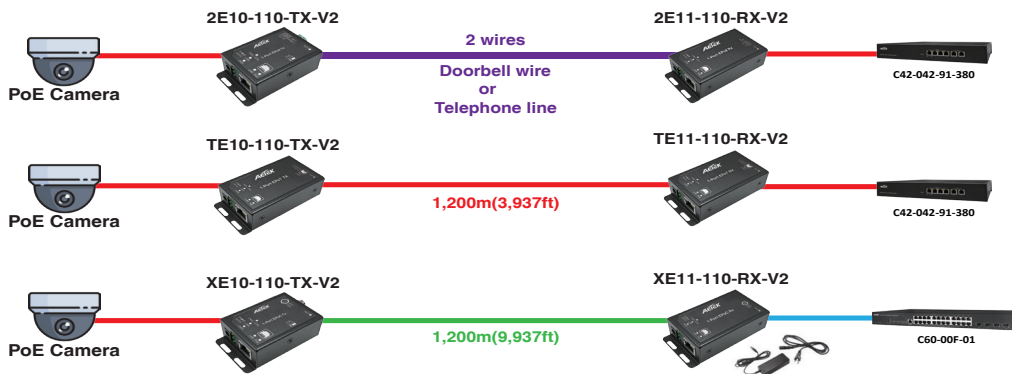
* 1x Quick Installation Guide	* 1x Screw parts	* 1x Plastic Standoff parts
-------------------------------	------------------	-----------------------------

⚠ IMPORTANT:

1. Use CAT5e or CAT6 UTP/STP cables and RG6 coaxial cables.
2. Please avoid using low quality cables, which will seriously limit the cabling distance and power delivery.
3. Make sure the power source is sufficient for your configuration.

CONNECTION

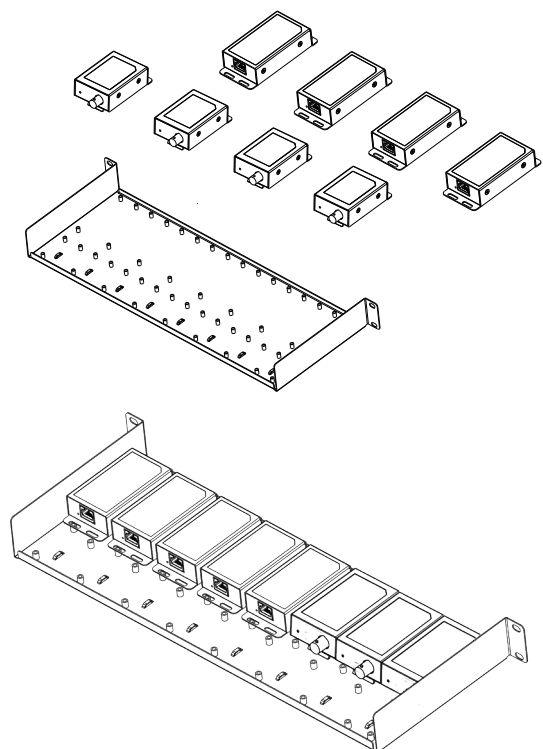
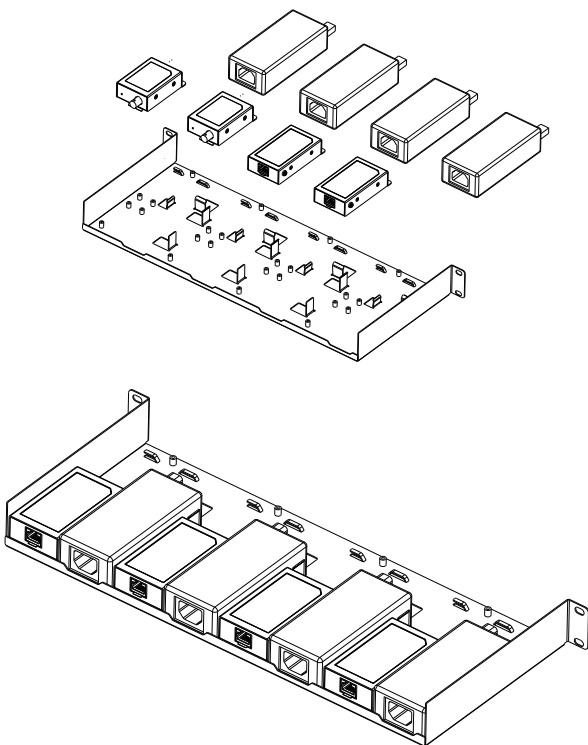
Single Remote TX :



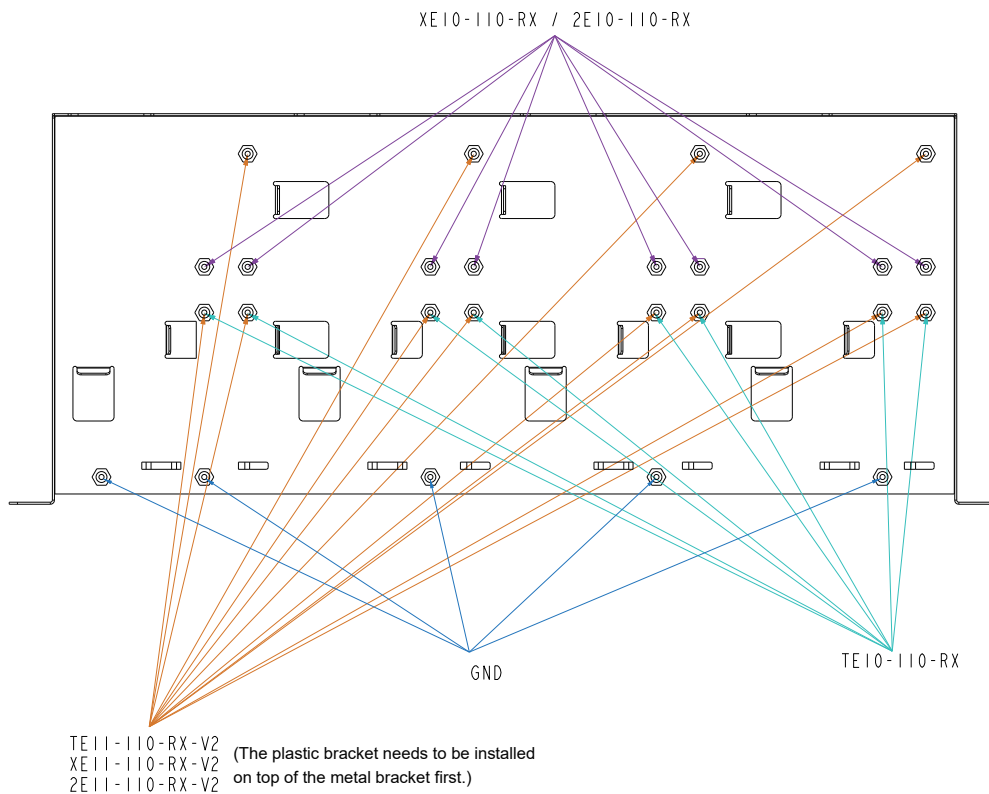
RACKMOUNT INSTALLATION

CH-100-V2: For XE10-110-RX / TE10-110-RX / 2E10-110-RX / XE11-110-RX-V2 / TE11-110-RX-V2 / 2E11-110-RX-V2 & 56VDC/65W Power Adapter use

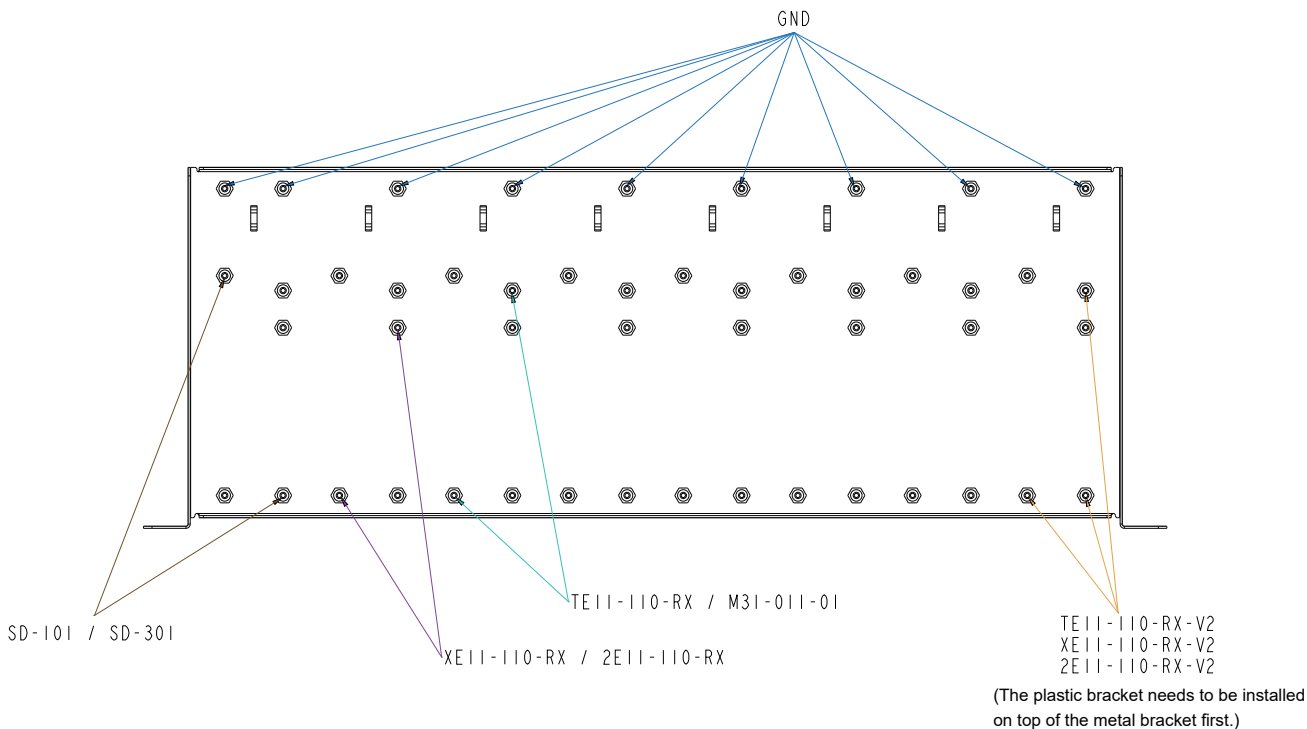
CH-110-V2: For XE11-110-RX / TE11-110-RX / 2E11-110-RX / XE11-110-RX-V2 / TE11-110-RX-V2 / 2E11-110-RX-V2 / SD-101 / SD-301 use



CH-100-V2: For XE10-110-RX / TE10-110-RX / 2E10-110-RX / XE11-110-RX-V2 / TE11-110-RX-V2 / 2E11-110-RX-V2 & 56VDC/65W Power Adapter use



CH-110-V2: For XE11-110-RX / TE11-110-RX / 2E11-110-RX / XE11-110-RX-V2 / TE11-110-RX-V2 / 2E11-110-RX-V2 / SD-101 / SD-301 use



Please note: Before installing the XE11-110-RX-V2/TE11-110-RX-V2/2E11-110-RX-V2, first secure it to the metal standoff using the plastic standoff, then place the RX adapter on top and secure it with screws. The RX adapter must be isolated from the CH-100-V2/CH-110-V2 to avoid signal interference and PoE switch power supply malfunctions.

All specifications are subject to change without notice.
Copyright © 2026 AETEK INC. All rights reserved.

AETEK INC.
6F, No.192-1, Lien-Cheng Rd., Chung-Ho, New Taipei City, 235, Taiwan, R.O.C.
|T: +886-2-82452822 |W: www.aetektec.com | E: sales@aetektec.com