

Model	Description	Model	Description
H40-022-90-120	2xGbE 95W PoH PoE + 2xGbE SFP	H40-082-30-250	8xGbE 30W PoE + 2xGbE SFP
H40-022-91-120	2xGbE 90W bt PoE + 2xGbE SFP	H42-042-30-075	4xGbE 30W PoE + 1xGbE(24VDC/56VDC) PoE + 1xGbE SFP
H40-042-30-075	4xGbE 30W PoE + 1xGbE RJ45 + 1xGbE SFP	H80-044-30-150	4xGbE 30W PoE + 2xGbE RJ45 + 2xGbE SFP
H40-044-30-150	4xGbE 30W PoE + 2xGbE RJ45 + 2xGbE SFP	H80-044-60-250	4xGbE 60W PoE + 2xGbE RJ45 + 2xGbESFP
H40-044-90-250	4xGbE 95W PoH PoE + 2xGbE RJ45 + 2xGbE SFP	H80-084-30-250	8xGbE 30W PoE + 4xGbE SFP
H40-044-91-250	4xGbE 90W bt PoE + 2xGbE RJ45 + 2xGbE SFP		

PACKAGE CONTENTS

* 1x PoE switch	* 1x Quick Installation Guide	* 1x Console cable (H80 only)
* 1x T25 L-wrench, 4x wall anchors		

⚠ IMPORTANT:

1. Install the PoE switch in a ventilated and dry place that is free of electromagnetic source, vibration, moisture, and dust.
2. Make sure the ventilation openings on the switch are not blocked.
3. Use CAT5 or 5e UTP/STP cables.
4. AC input (100~240V/AC, 50~60Hz).
5. Although housing is IP67 rating, this is not suitable for water jets.

6. The cabinet must be grounded using a ground wire between the ground screw and earth ground.



H40 / H42 Series

LED DEFINITIONS

Power PW1/PW2	Green ON	Power is on and normal.
SFP port Green	Green ON	Fiber is aeeached.
	Grren Flashing	Data is being transmitted / received.
LAN ports Green	Green ON	TX link is detected.
	Grren Flashing	Data is being transmitted or received.
PoE ports Amber	Amber ON	PSE is activated and PD is detected.
	Amber OFF	PoE OFF

1.5m

RESET

Reset the switch	3 seconds	Blinking Green	All LEDs off
------------------	-----------	----------------	--------------

H80 Series

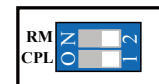
LED DEFINITIONS

NOTE: Digital output (relay): 24VDC/1A. Digital input: level 0(Low) -> 0V to 6V, level 1(High) -> 10V to 24V.

RJ45 port Up	Green / Amber	Blinks when any traffic is present. The light is green when linking up 1Gbps. The light is Amber when linking up 10/100Mbps.
RJ45 port Down	Green / Amber	Green is port enabled and supplying power to connected device. Amber is An abnormal state, such as overload status.
SFP Ports	Green / Amber	Blinks when any traffic is present. The light is green when linking up 10Gbps. The light is amber when linking up 1Gbps.
Power	Green	Powered on correctly is ON.
System	Green	Switch ready is ON.
Alarm	Red	Abnormal state, such temperature, voltage, or DC power, has occurred is ON.

LED	Color	State	Description
RM (Ring Master)	Green	On	Ring Master has been detected in the switch.
	Amber	On	Ring Member has been detected in the switch.
	-	Off	Disable
CPL (Rapid Chain)	Green	On	Rapid Chain has been detected in the switch. (Active path)
	Amber	On	Rapid Chain has been detected in the switch. (Backup path)
	-	Blinking	Error: There is no correspondent Rapid Chain Switch found.
	-	Off	Disable

DIP Switch



RM: Ring Master
CPL: Rapid Chain

DEFAULTS

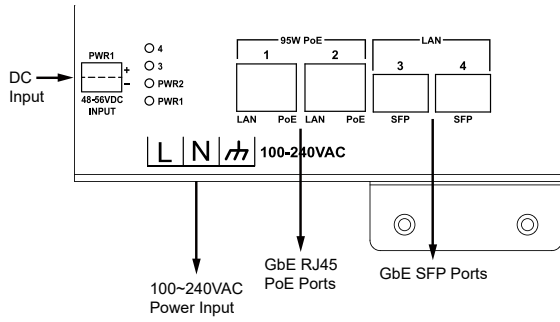
IP Address	192.168.1.1
Subnet Mask	255.255.255.0
User Name	admin
Password	admin

Console Port:	
Baud rate	115200
Stop bits	1
Data bits	8
Parity	N
Flow contro	none

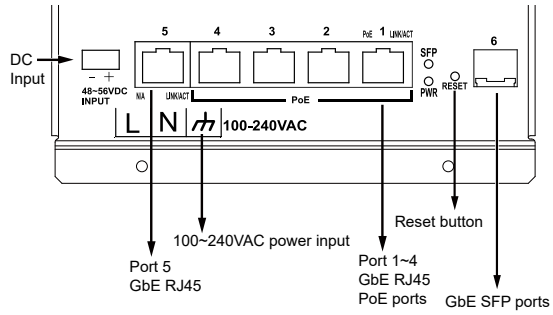
RESET & RESTORE

Reset the switch	2 ~ 7 seconds	Blinking Green	All LEDs are OFF
Restore to defaults	7 ~ 12 seconds	Blinking Green	All LEDs stay ON

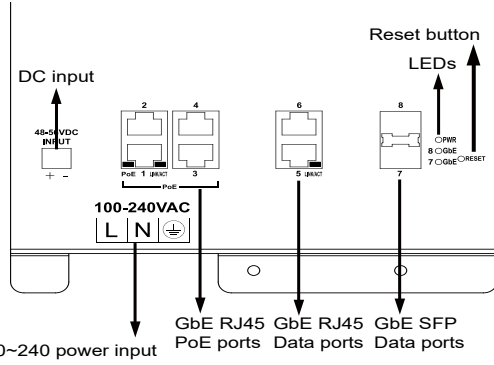
H40-022-90-120 / H40-022-91-120



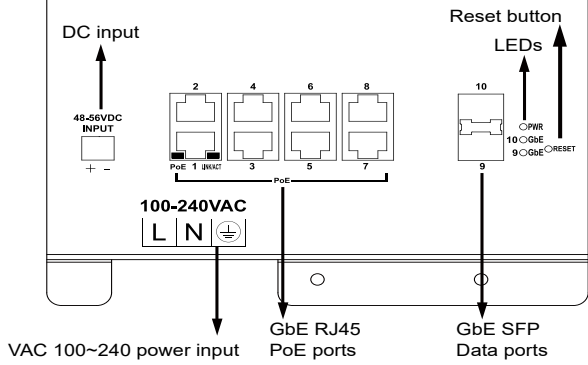
H40-042-30-075



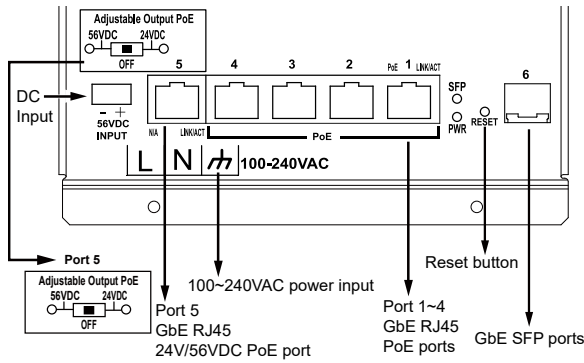
H40-044-30-150 / H40-044-90-250 / H40-044-91-250



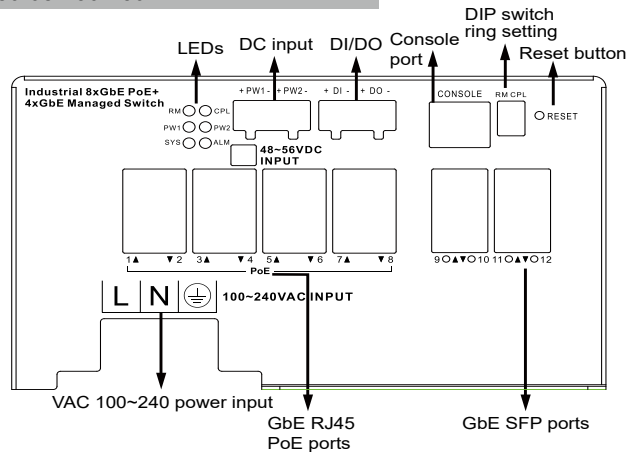
H40-082-30-250



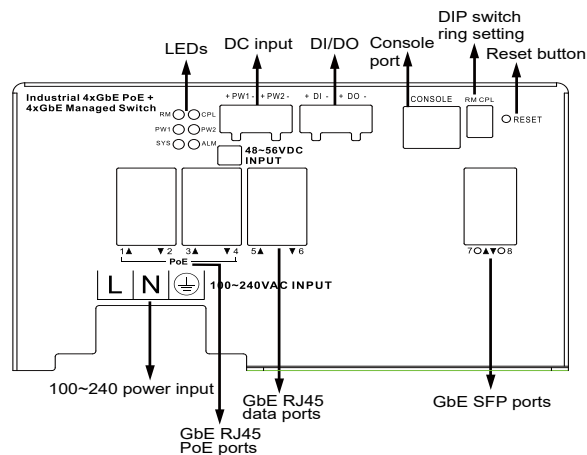
H42-042-30-075



H80-084-30-250

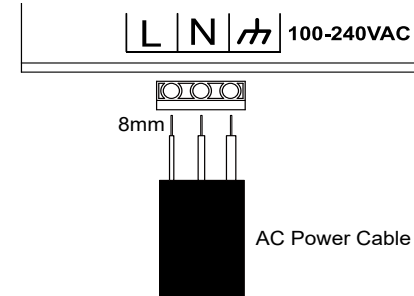


H80-044-30-150 / H80-044-60-250



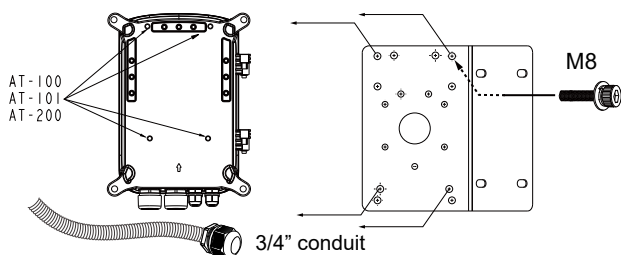
AC Power Cable Spec.

Wire Size	10~18AWG
Wire Strip Length	8mm

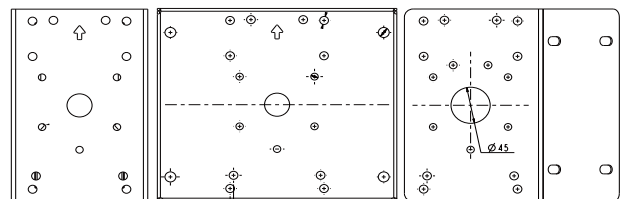


INSTALLATION

Use the included M8 hex socket screws to secure the Outdoor PoE Switch to a pole-mount or corner mount bracket.



The mounting hole definition is illustrated below. The same mounting hole pattern apply to all pole-mount and corner-mount brackets.



All specifications are subject to change without notice.
Copyright © 2021 AETEK INC. All rights reserved.