



I46-201-A & I49-201-A Outdoor Gigabit 60W/95W PoE Injector for Avigilon PTZ/IR PTZ/Multisensor Cameras Quick Installation Guide

P/N: A625013100G

INTRODUCTION

Model	Description
I46-201-A	Outdoor Gigabit 60W PoE Injector for Avigilon PTZ/IR PTZ/Multisensor Cameras
I49-201-A	Outdoor Gigabit 95W PoE Injector for Avigilon PTZ/IR PTZ/Multisensor Cameras

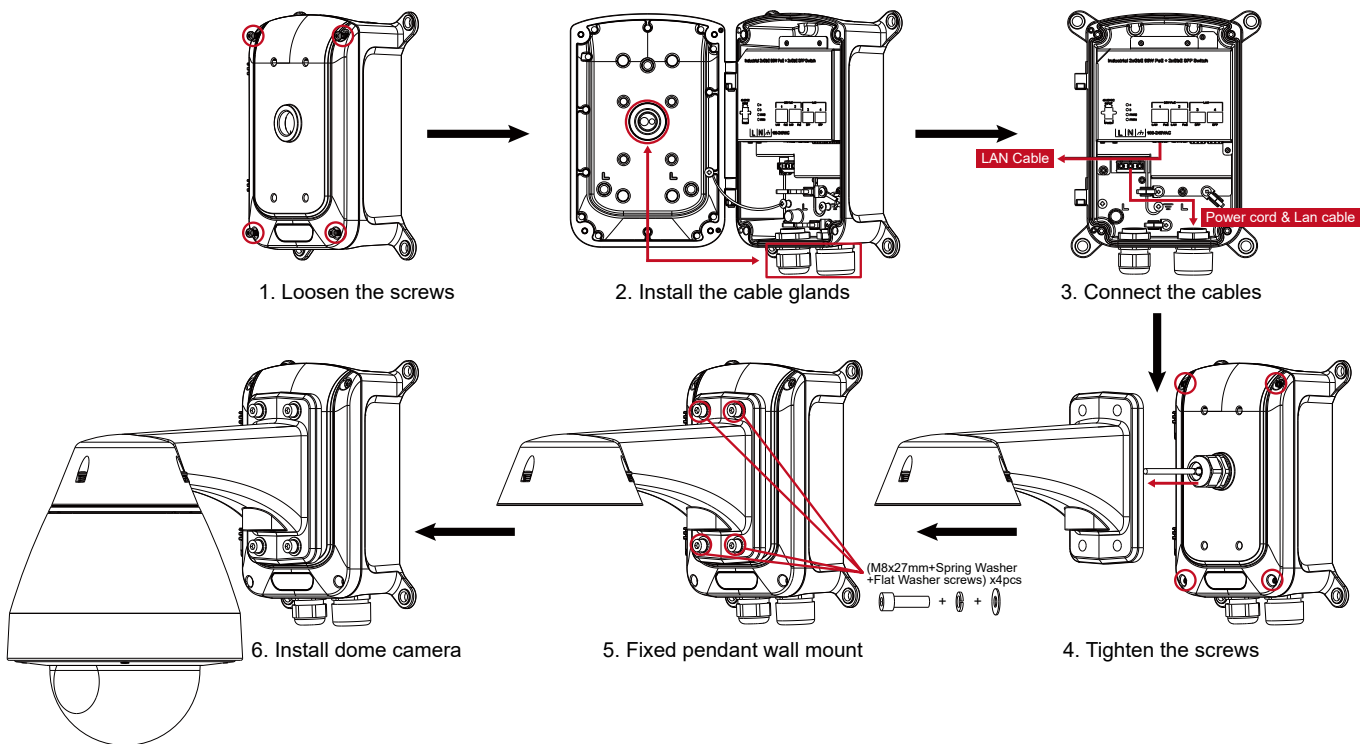
PACKAGE CONTENTS

* 1x PoE injector	* 1x Quick Installation Guide	* 1X Screw kit
-------------------	-------------------------------	----------------

⚠ IMPORTANT:

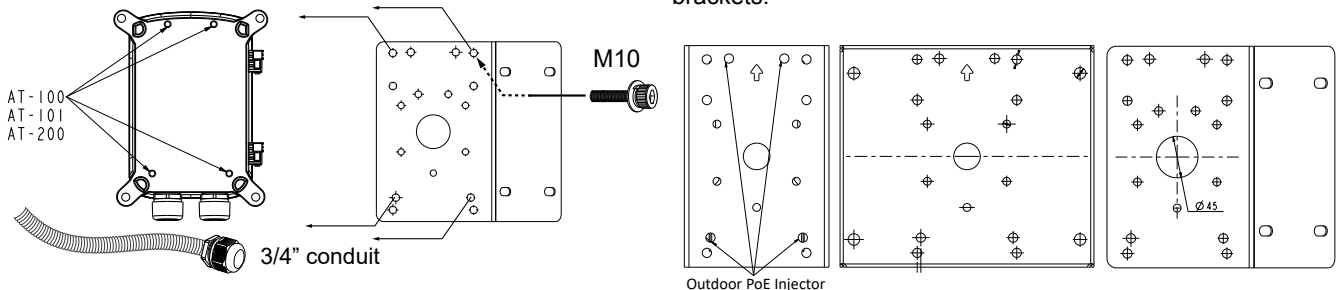
1. Use CAT5 or 5e UTP/STP cables.
2. AC input (100~240V/AC, 50~60Hz).

CONNECTION



Use the included M10 hex socket screws to secure the power box to a pole-mount or corner mount bracket.

The mounting hole definition is illustrated below. The same mounting hole pattern apply to all pole-mount and corner-mount brackets.



Installation Steps:

1. Connect the included AC power cord to the injector. The Power LED (Yellow) should be lit.
2. Connect the Data IN port to a LAN switch using an Ethernet cable.
3. Connect the Power+Data OUT port to a powered Avigilon PTZ / IR PTZ / Multisensor, using another Ethernet cable. Make sure the PoE LED (Green) is lit.
4. Check if the powered Avigilon PTZ / IR PTZ / Multisensor is working properly. An Avigilon PTZ / IR PTZ / Multisensor take up to 1 or 2 minutes to power up.

All specifications are subject to change without notice.
Copyright © 2021 AETEK INC. All rights reserved.