



2E10-110-TX-V2 / 2E11-110-RX-V2 EPo2 Adapter

Quick Installation Guide

P/N: 5019048701

INTRODUCTION

Model	Power Source	Description
2E10-110-TX-V2	56VDC or EPo2 RX	EPo2 Tx Adapter, 1x EPo2 2P Terminal Block, 1x FE RJ45, 1 DC Jack, -20°C~60°C
2E11-110-RX-V2	56VDC or PoE Input	EPo2 Rx Adapter, 1x EPo2 2P Terminal Block, 1x FE RJ45, 1 DC Jack, -20°C~60°C

PACKAGE CONTENTS

* 1x Quick Installation Guide	* 1x Metal wall mount kit	* 1x Plastic DIN Rail Clip
-------------------------------	---------------------------	----------------------------

⚠ IMPORTANT:

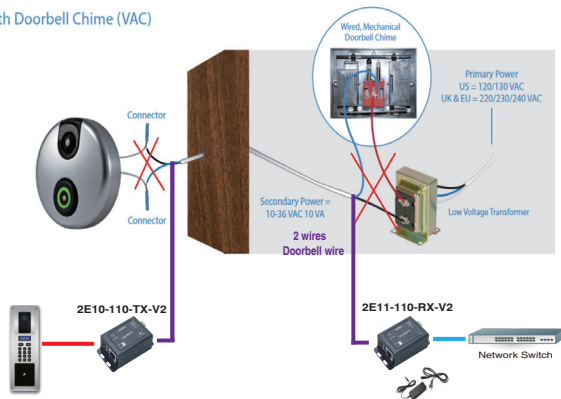
1. Use CAT5e or CAT6a UTP/STP cables and 2 wires shielded cables.
2. Please avoid using low quality cables, which will seriously limit the cabling distance and power delivery.
3. Make sure the power source is sufficient for your configuration.
4. **When powering the 2E11-110-RX-V2 via a PoE Switch, electrical isolation is mandatory between the two devices to prevent direct electrical contact.**

⚠ Caution !

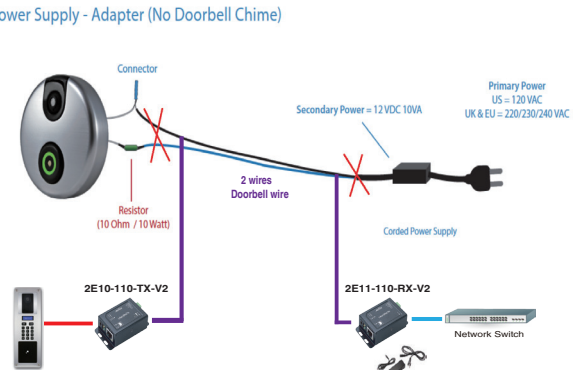
You must turn off the 48VDC input on the line from the telephone company before you install EPo2 over existing telephone line

You must turn off the power input on the doorbell line from the your power box of room controller before you install EPo2 over existing doorbell line

With Doorbell Chime (VAC)

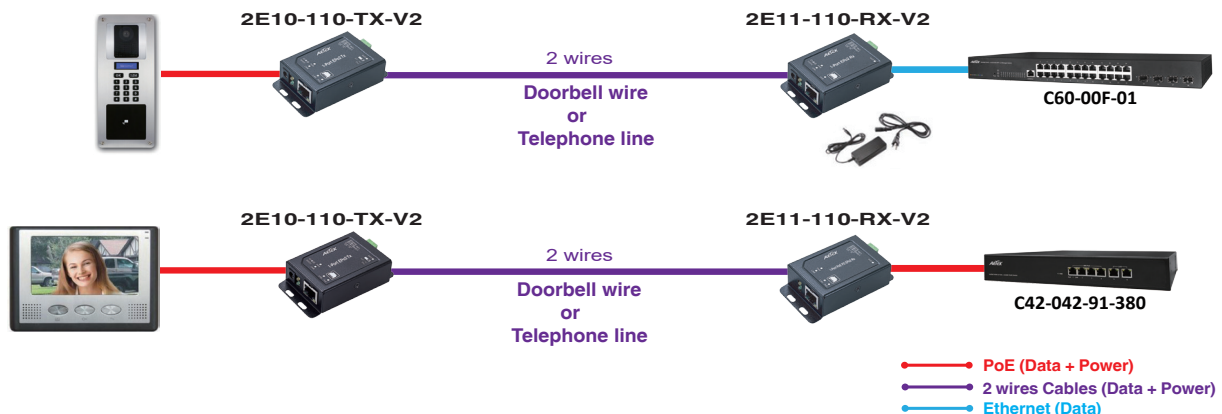


Power Supply - Adapter (No Doorbell Chime)

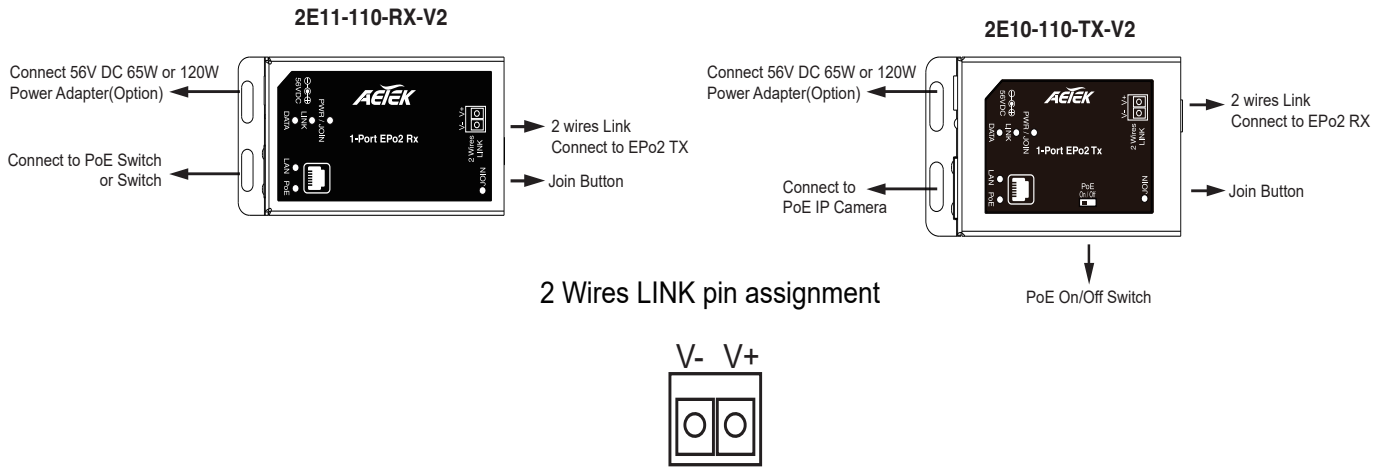


CONNECTION

Application :

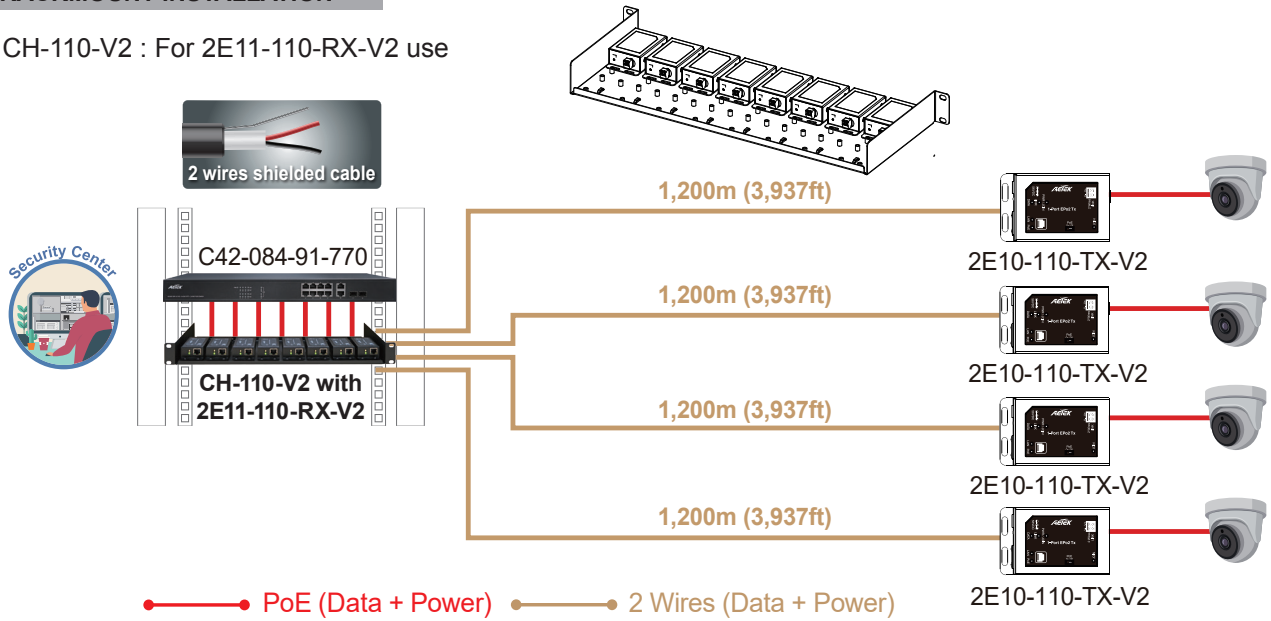


INSTALLATION



RACKMOUNT INSTALLATION

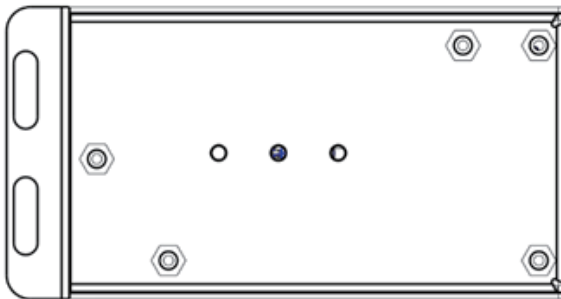
CH-110-V2 : For 2E11-110-RX-V2 use



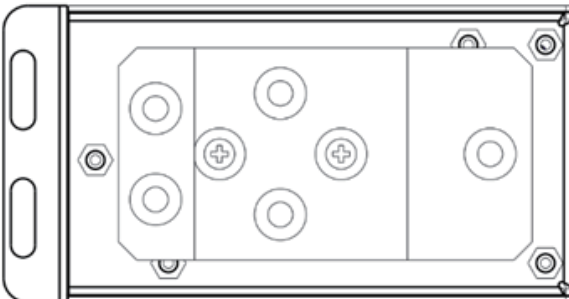
Din Rail Mount

1. Install Plastic DIN Rail Clip :
Use the Plastic DIN Rail Clip to mount the RX (V2), ensuring a secure connection to the PoE switch without direct electrical contact.

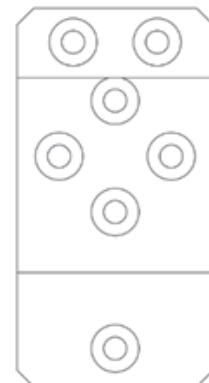
2E11-110-RX-V2



2E11-110-RX-V2 + Plastic DIN Rail Clip



Plastic DIN Rail Clip



Distance/Power Chart

	100m	200m	400m	600m
0.4mm Cable 26AWG	Watt : 18W	Watt : 8.06W	X	X
0.5mm Cable 24AWG	Watt : 23.8W	Watt : 12.1W	Watt : 6.1W	X
0.6mm Cable 22AWG	Watt : 32.3W	Watt : 17.2W	Watt : 8.4W	Watt : 5W

NOTE:

1. The length of network cable for camera connection is 1m CAT6a cable.
2. The power delivery will vary on the quality of 2 wires shielded cable due to resistance.

LEDs

PoE	Yellow ON	PoE: Power port is connected to PD
LAN	Green flash	LAN: Data is being transmitted or received.
	OFF	No connection
PWR	Green ON	Power is supplied
LINK	Green ON	Rx and Tx EPo2 adapter is connected.
DATA	Green flash	2-wires shielded cable: Data is being transmitted or received.

DIP Switch

NOTE: The PoE On/Off switch is only available on 2E10-110-TX-V2

DIP#	On	Delivery PoE output to PD device
	Off	No PoE output to PD device

* When Connect PoE Switch Data or PoE port ,The DIP Switch need off.

Join Button

- Press the Join button for 10~15 seconds to reset the Extender to default.