

INTRODUCTION

Model	Description
OS-210-360	Outdoor IP Back-up PoE Cabinet, 360W power supply
OS-210-600	Outdoor IP Back-up PoE Cabinet, 600W power supply

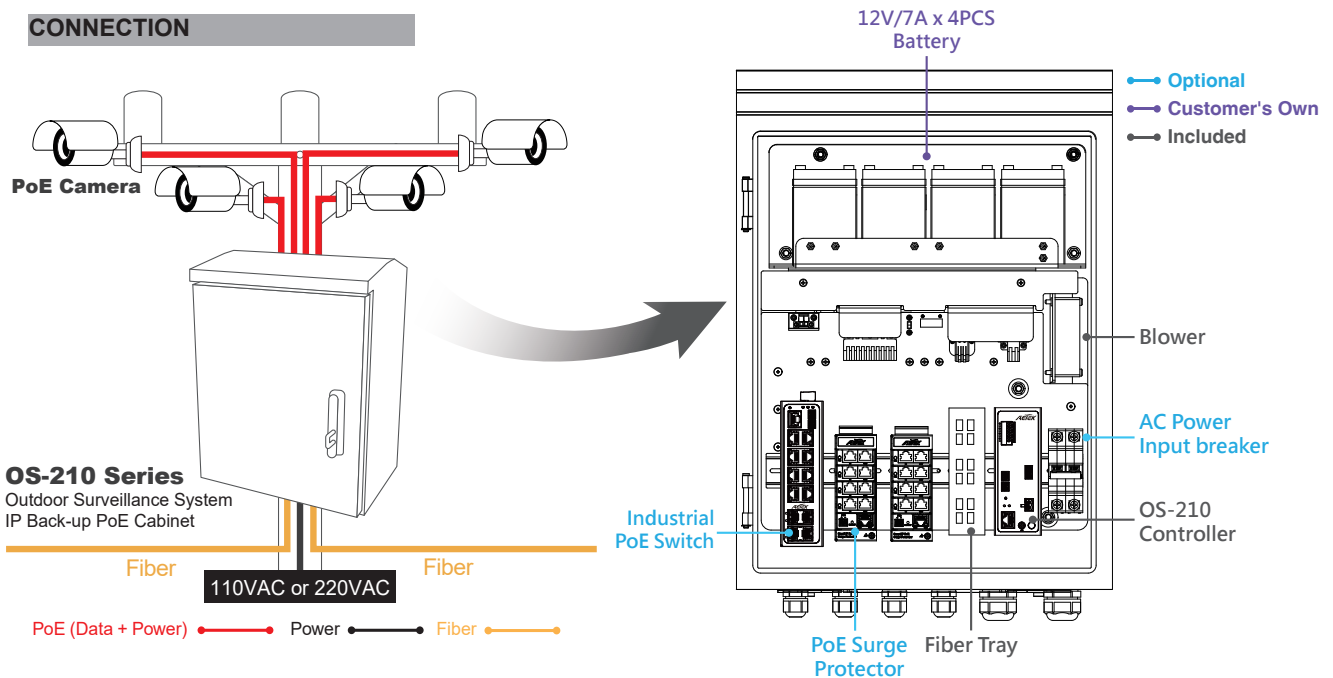
⚠ IMPORTANT NOTES:

1. This chassis is designed for a PoE (PSE) system. The installed equipment must not connect DC (-) to GND!!! There is a risk of damaging the PD and PSE device.
2. Ensure AC input matches the appropriate voltage: 115V/AC or 230V/AC.
3. Properly wire the battery inside the cabinet before connecting power.
4. Ensure all connections are secure before switching on the power.
5. Use CAT5 or CAT5e UTP/STP cables.

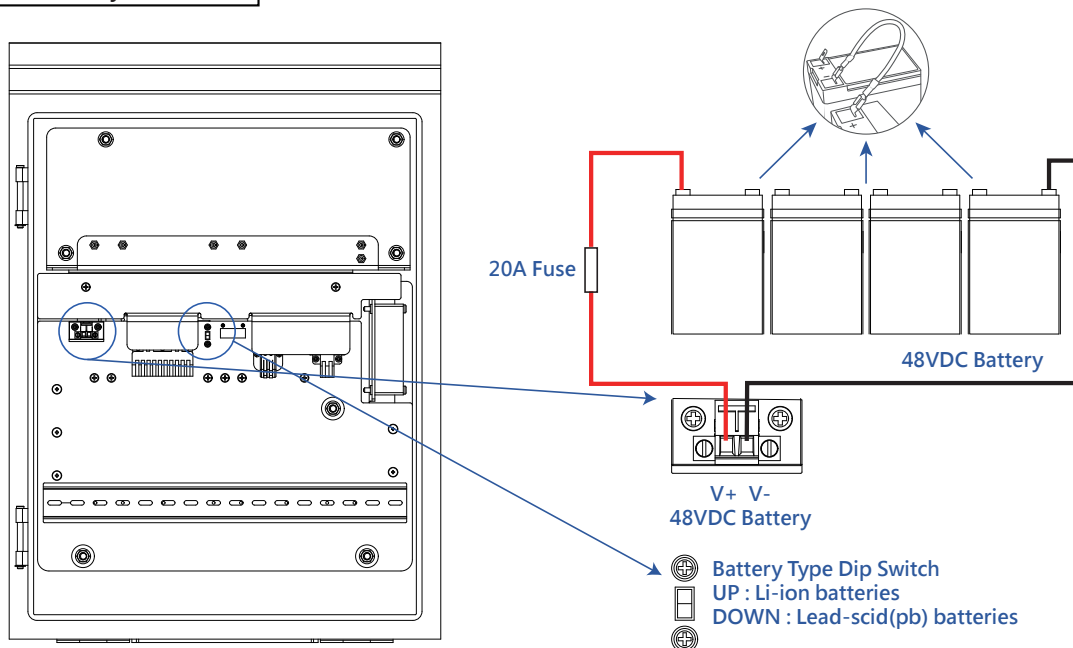
INSTALLATION STEPS:

1. Inside the cabinet, locate the battery section to connect the batteries:
 Connect the battery cable to one terminal.
 Connect the power cable to the opposite terminal.
2. Connect the AC input power cable to both the cabinet and the power source.
3. Switch on the power.

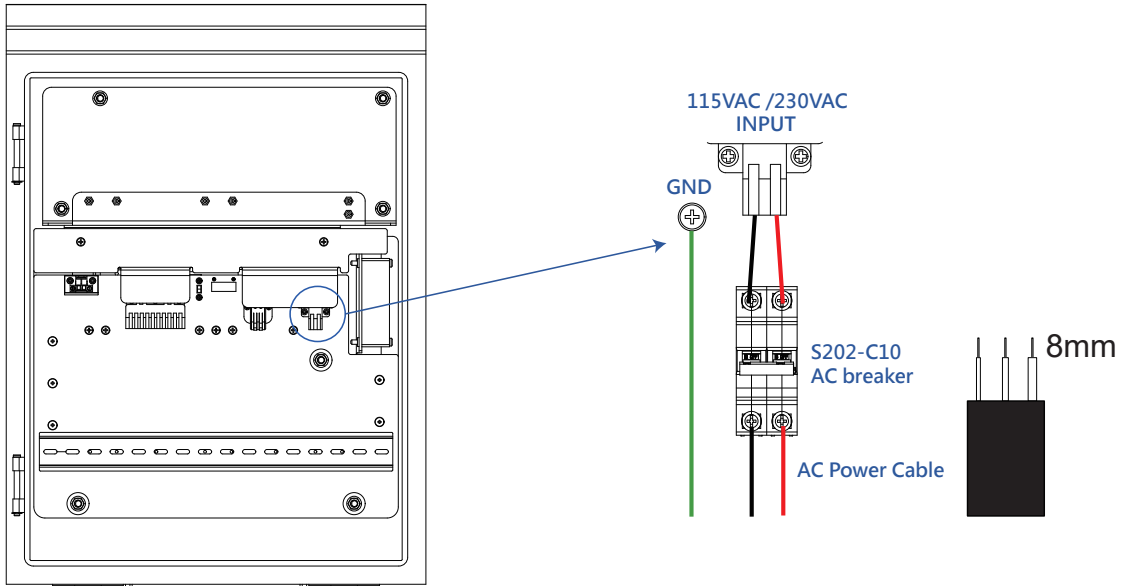
CONNECTION



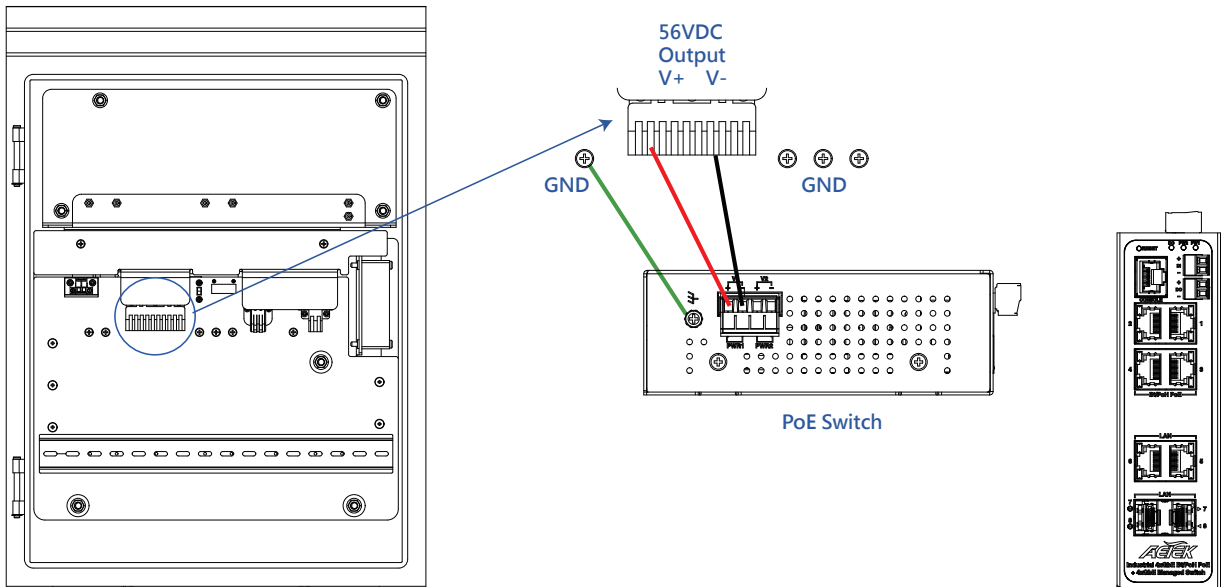
48VDC Battery Installation



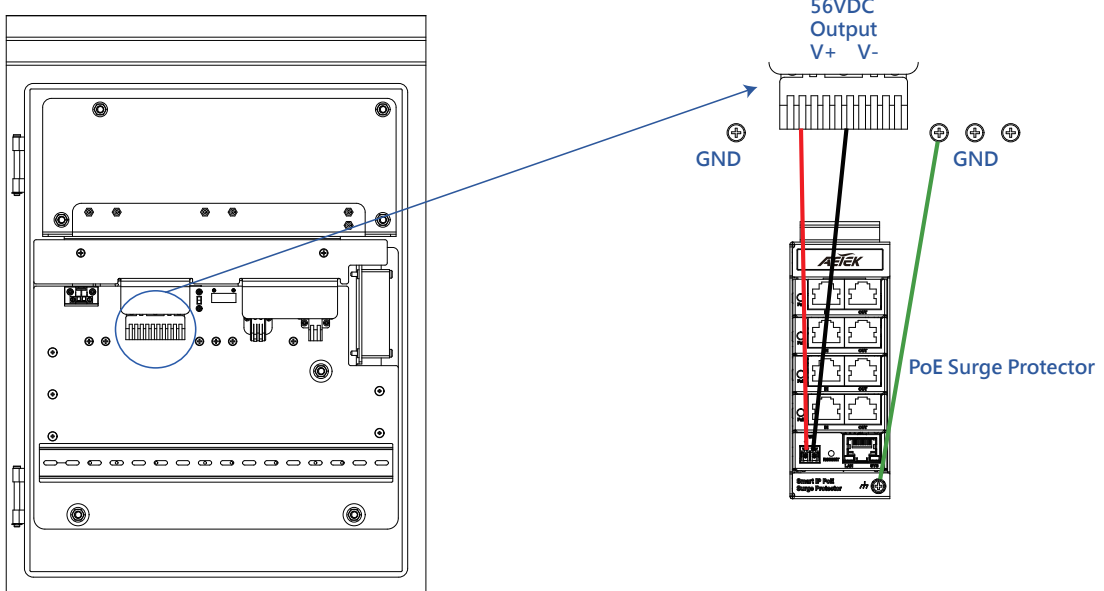
AC Breaker S202-C10 (Optional) Installation



PoE Switch (Optional) Installation

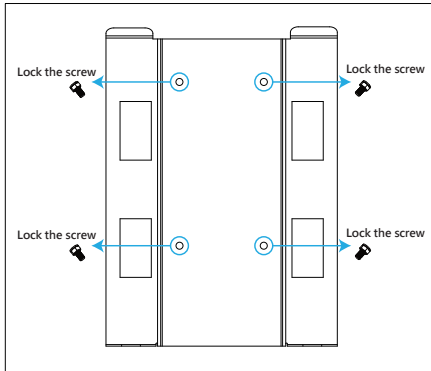


PoE Surge Protector (Optional) Installation

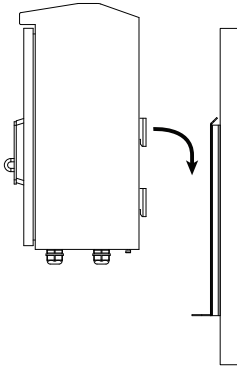


Wall Mount Bracket Installation Steps

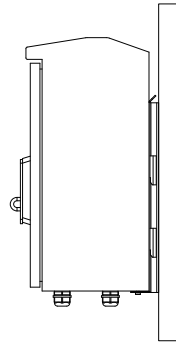
- ① Secure the backplate using M4 screws at 4 points.



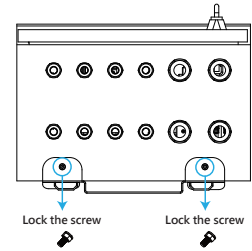
- ② Align the OS-210 Series with the backplate.



- ③ Snap it into place.

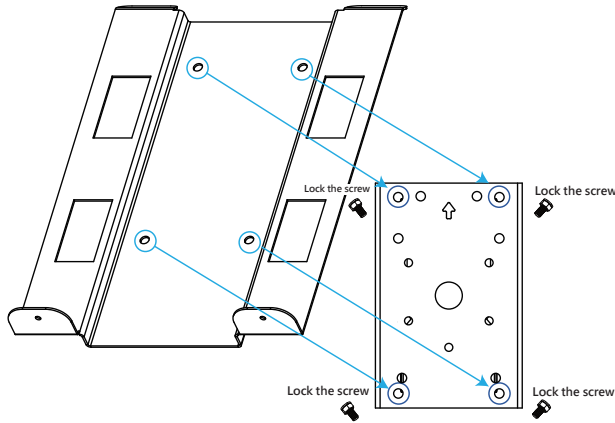


- ④ Secure the bottom using M4 screws at 2 points.

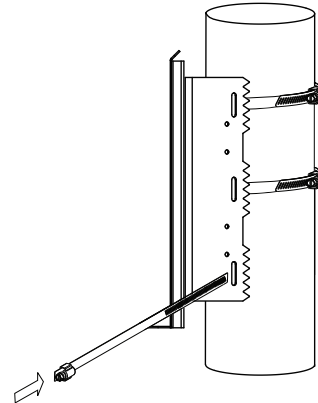


Pole Mount Bracket (Optional) Installation Steps

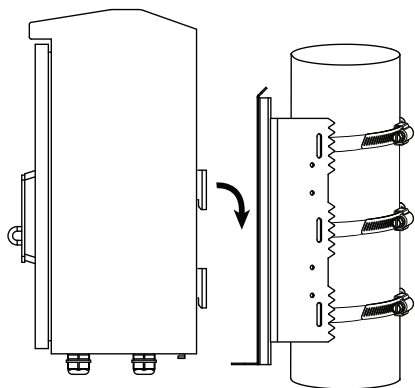
- ① Align the backplate with AT-100 mounting points using M4 screws at 4 points.



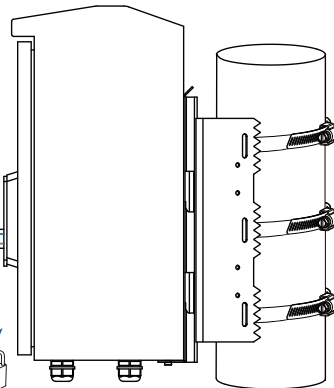
- ② Secure the AT-100 to the pole using three stainless steel hose clamps.



- ③ Align the OS-210 Series with the backplate.

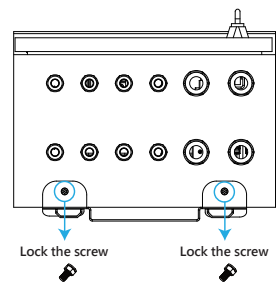


- ④ Snap it into place.



Assa abloy Padlock 611
Assa abloy Padlock 492303

- ⑤ Secure the bottom of the OS-210 Series using M4 screws at 2 points.



All specifications are subject to change without notice.
Copyright © 2025 AETEK INC. All rights reserved.