

# EPoT-V2 series

Long Range PoE over UTP/STP Products



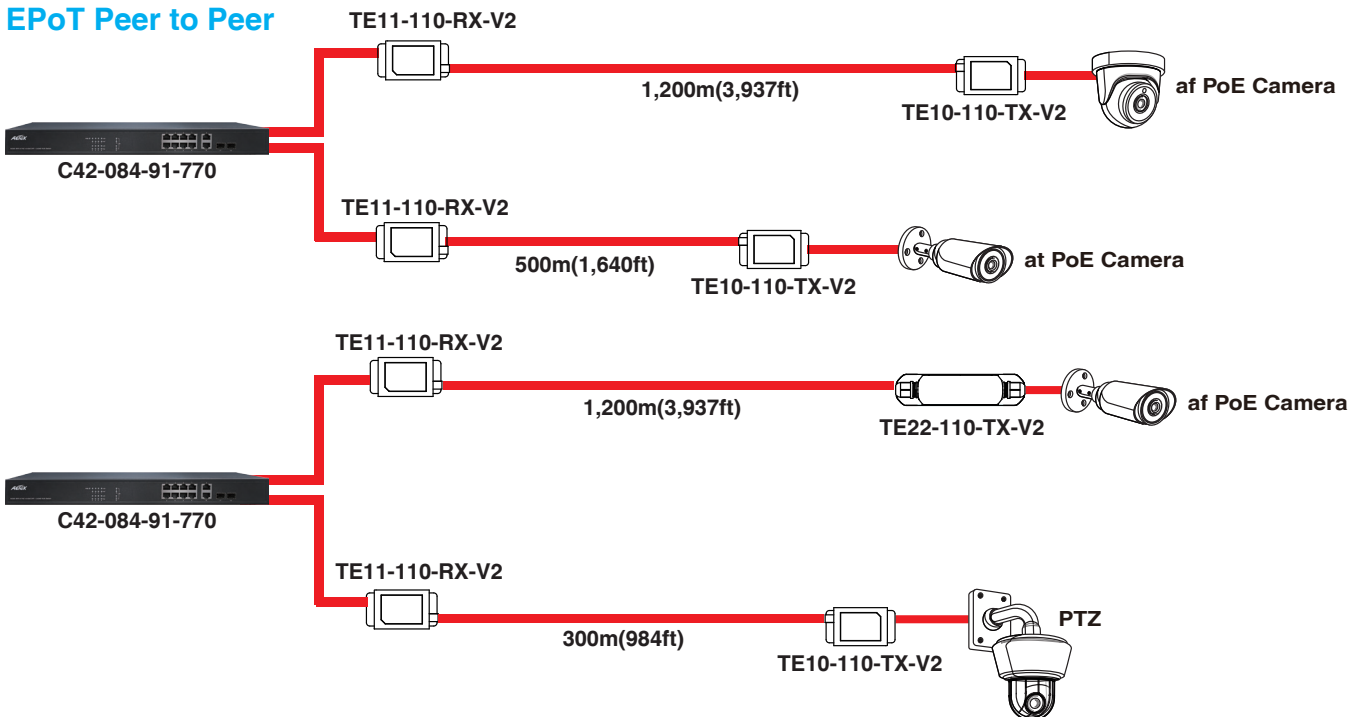
AETEK EPoT-V2 series of PoE over UTP/STP Extender is designed to extend IP Ethernet transmission and inject power over an UTP/STP cable for distance up to 1,200m (3,937ft) to PoE IP camera, PoE Wireless AP and any 802.3bt/at/af complied powered device (PD). The EPoT-V2 Series consists of a TX and RX set which can work in pair without any power adapter and anywhere on your network infrastructure.

## Features

- Long-range IP data & PoE over 4-pair/2-pair/1-pair UTP /STP cat.5e/6 cables
- Delivers up to 16 watts@1,200m(3,937ft) for a PoE IP camera
- Supports peer-to-peer Application
- Supports peer-to-peer, daisy-chain, and failover Ringtopologies
- Support IEEE 802.3bt/at/af PoE or 48-56VDC Input (TE11-110-RX-V2 only)
- Eliminates the need for intermediate Ethernet switches & power supplies for long-range deployment
- Plug-and-Play connection
- 802.3 bt/at/af PoE Output
- Support IEEE 802.3 bt/at/af PoE Output and Output Voltage Booster (TE22-110-TX-V2 only)
- IP67 rated, IK10 vandal proof (TE22-110-TX-V2 only)

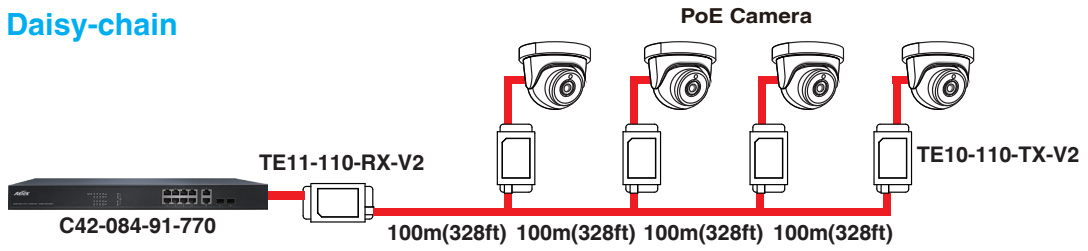
## Applications

### EPoT Peer to Peer

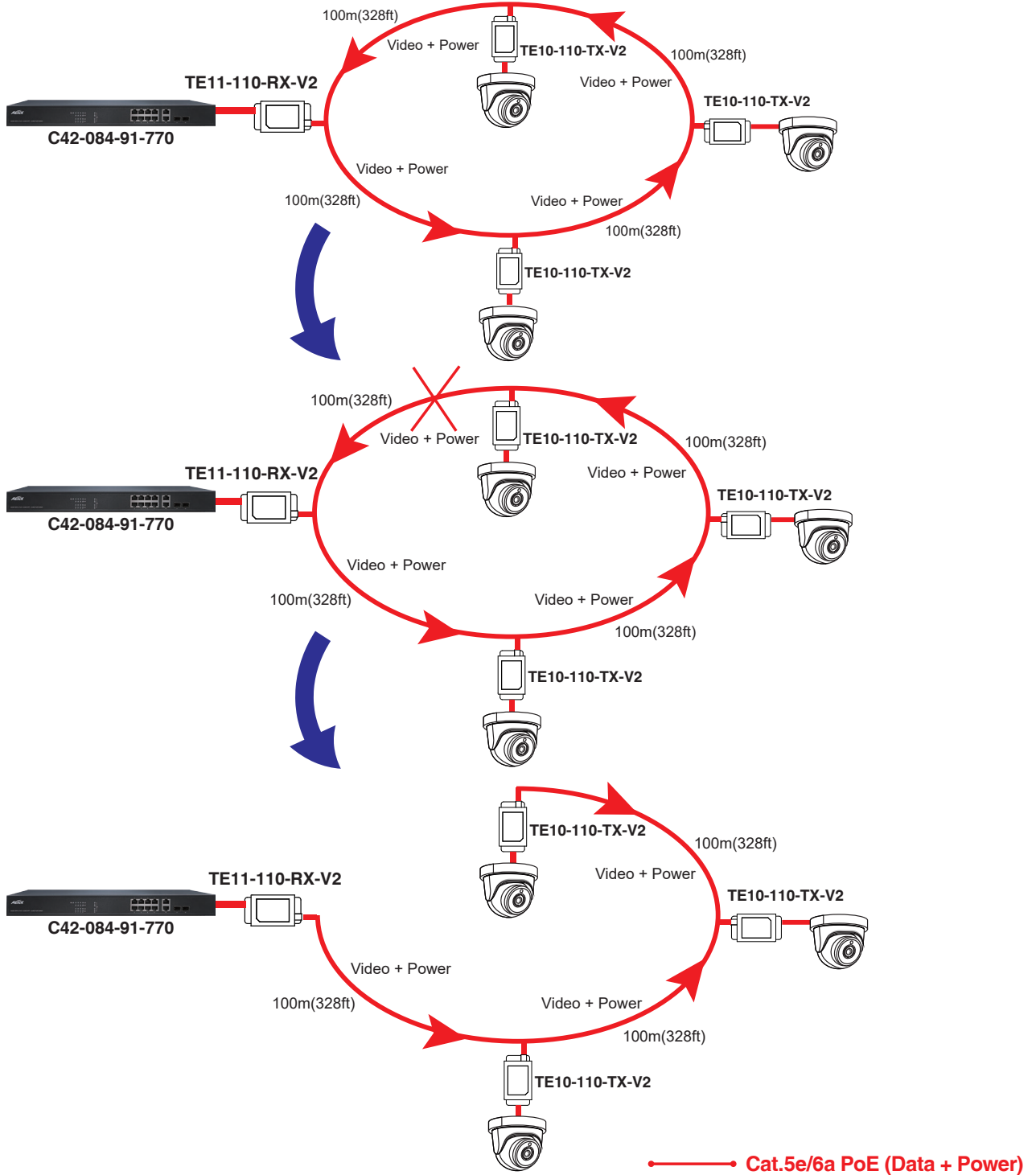


— Cat.5e/6a PoE (Data + Power)

### EPoT Daisy-chain

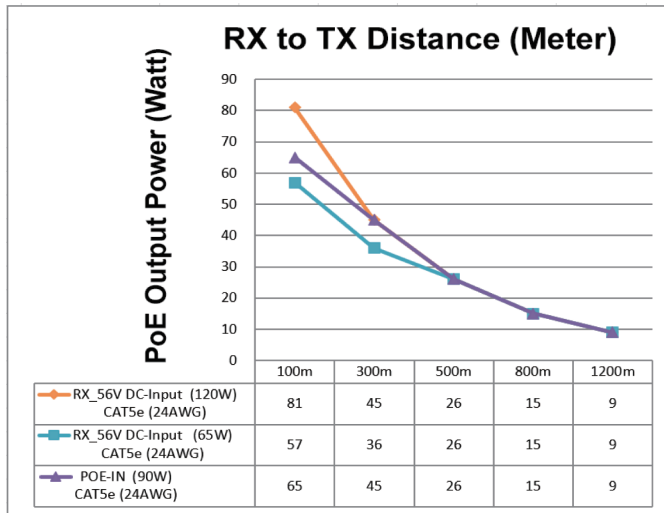


### EPoT Power & Video Failover

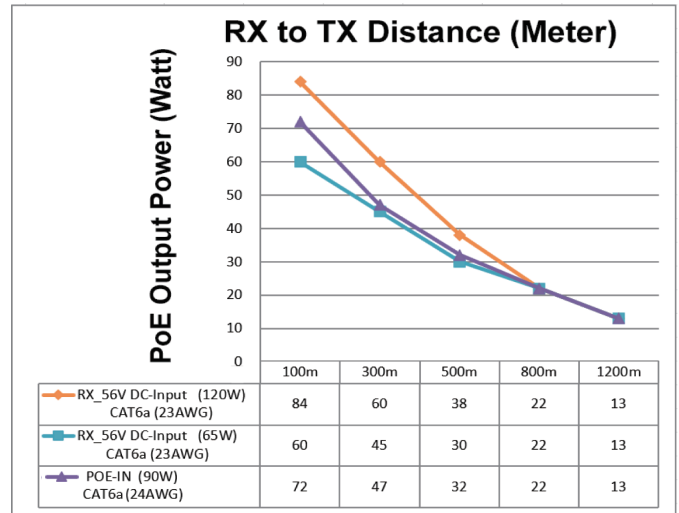


# EPoT Peer to Peer Output Power / Distance Chart

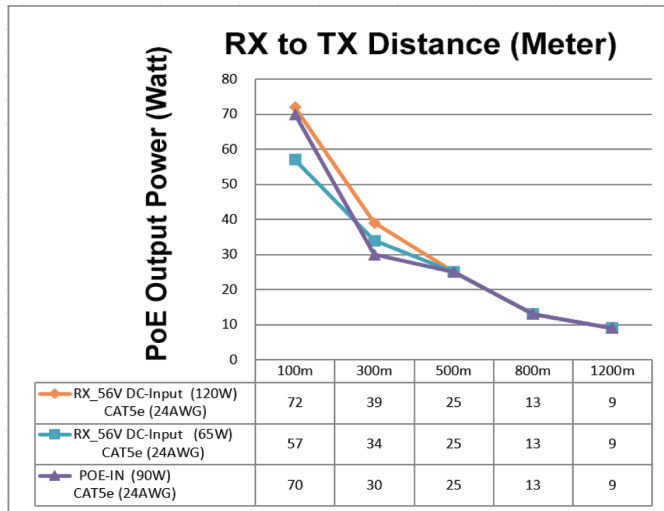
## TE11-110-RX-V2 to TE22-110-TX-V2(CAT5e)



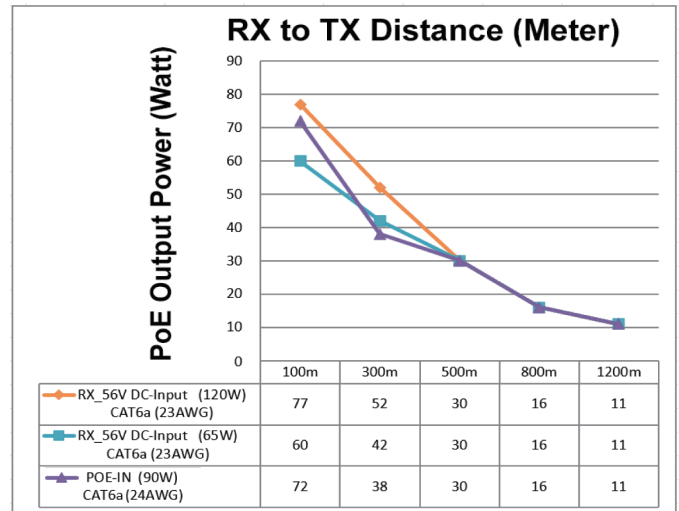
## TE11-110-RX-V2 to TE22-110-TX-V2(CAT6a)



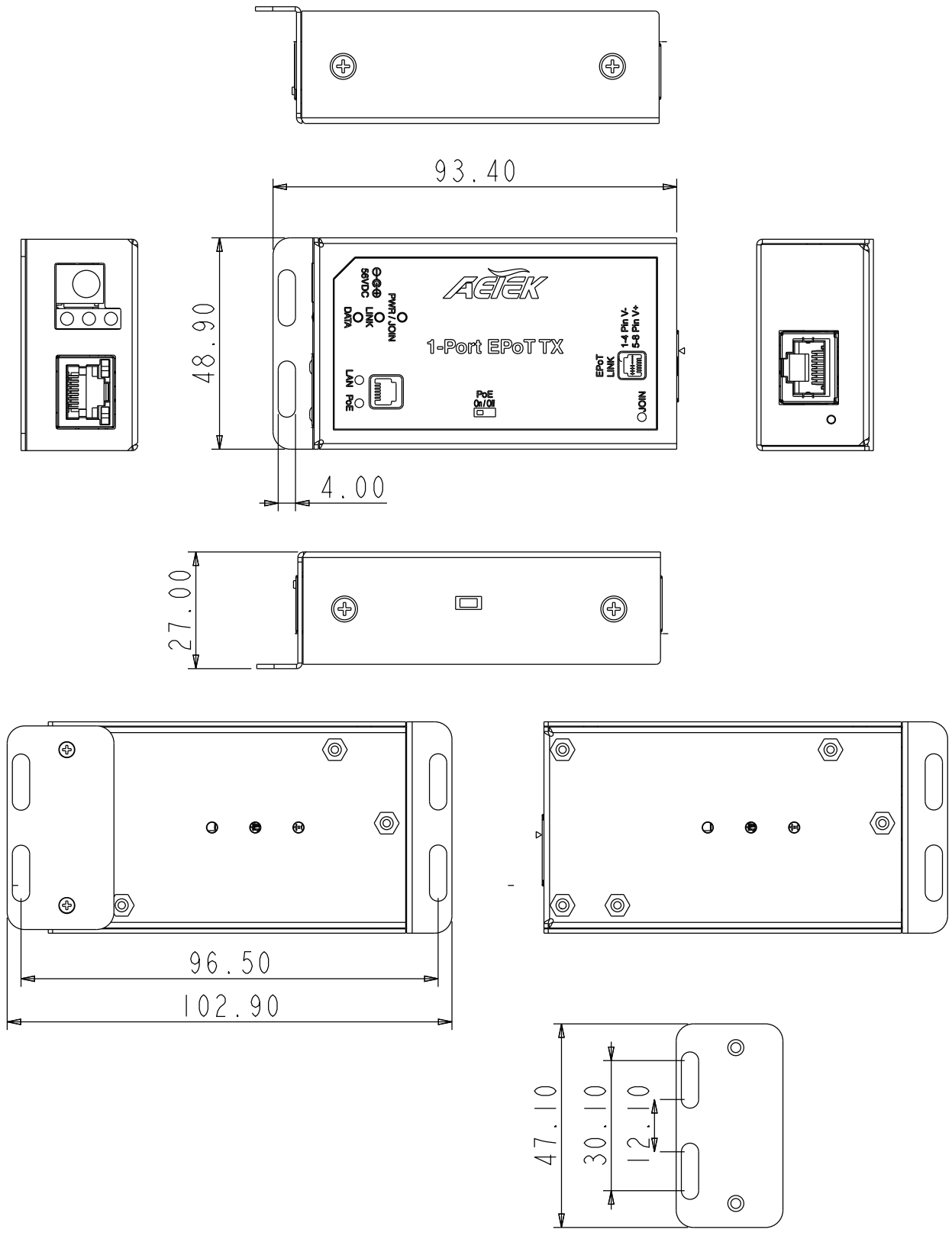
## TE11-110-RX-V2 to TE10-110-TX-V2(CAT5e)



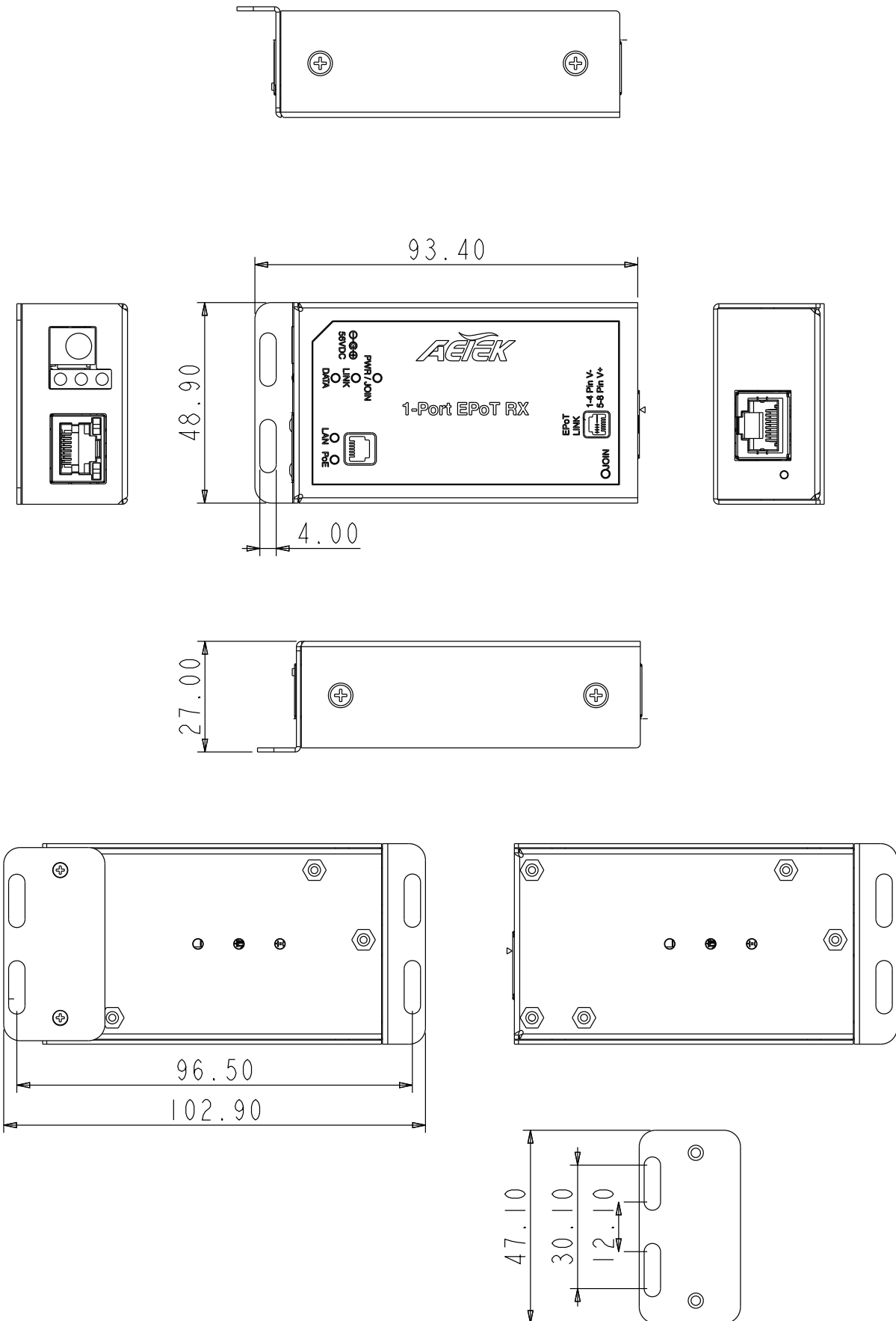
## TE11-110-RX-V2 to TE10-110-TX-V2(CAT6a)



### TE10-110-TX-V2

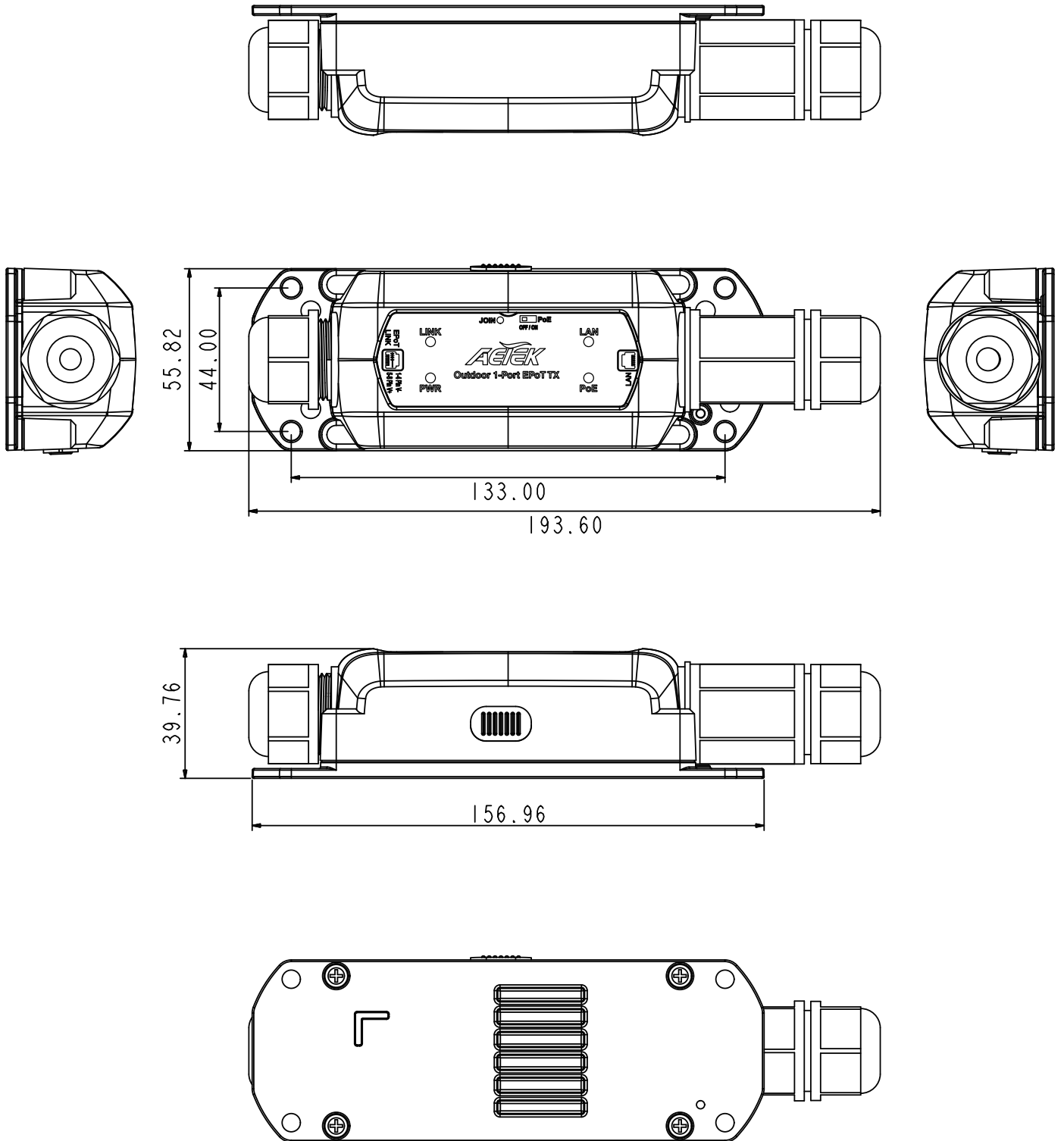


### TE11-110-RX-V2



Dimension

TE22-110-TX-V2



## Specifications

	TE11-110-RX-V2	TE10-110-TX-V2	TE22-110-TX-V2
<b>Interface / Distance</b>			
EPoT Port	RJ45 x1	RJ45 x1	RJ45 x1
10/100 Mbps Ethernet	PoE PD RJ45 x1	PoE PSE RJ45 x1	PoE PSE RJ45 x1
Transmission mode	Receiver RX mode	Transmitter TX mode	Transmitter TX mode
Maximum TX quantity	7	--	--
MAX.(Power+Data) Distance	100Mbps, 16W@1,200m(3,937ft) 100Mbps@2,400m(7,874ft) Data only Cable reference: Cat6	100Mbps, 16W@1,200m(3,937ft) 100Mbps@2,400m(7,874ft) Data only Cable reference: Cat6	100Mbps, 16W@1,200m(3,937ft) 100Mbps@2,400m(7,874ft) Data only Cable reference: Cat6
Cable Type	STP/FTP cat5e/6 shielded cable	STP/FTP cat5e/6 shielded cable	STP/FTP cat5e/6 shielded cable
Bandwidth	100 Mbps	100 Mbps	100 Mbps
Data Rate	STP/FTP cat5e/6 shielded cable: Up to 100 Mbps asymmetrical to full range Ethernet cable: 100 Base-TX full duplex	STP/FTP cat5e/6 shielded cable: Up to 100 Mbps asymmetrical to full range Ethernet cable: 100 Base-TX full duplex	STP/FTP cat5e/6 shielded cable: Up to 100 Mbps asymmetrical to full range Ethernet cable: 100 Base-TX full duplex
<b>Power</b>			
Input Power	Support 30W/60W/90W PoE DC power jack: 56VDC	EPoT@50~56VDC, DC power jack: 56VDC	EPoT@50~56VDC
Output Power	--	IEEE 802.3bt PoE++ PSE IEEE 802.3at PoE+ PSE IEEE 802.3af PoE PSE	IEEE 802.3bt PoE++ PSE IEEE 802.3at PoE+ PSE IEEE 802.3af PoE PSE Voltage Booster
Power supply	Optional : Input: 100-240VAC Output: 65W@56VDC or 120W@56VDC Power Adapter 60W/90W PoE Injector 60W/90W PoE Switch	Optional : Input: 100-240VAC Output: 65W@56VDC or 120W@56VDC Power Adapter	--
Unit Power Consumption	2 watts	2 watts	2 watts
EPoT Surge Protection	6KV	6KV	6KV
ESD	Contact ±4 KV, Air ±8 KV	Contact ±4 KV, Air ±8 KV	Contact ±4 KV, Air ±8 KV
<b>Mechanical</b>			
Dimensions (LxWxH)	102.9 x 48.9 x 27.0 mm (4.05 x 1.93 x 1.06 in)	102.9 x 48.9 x 27.0 mm (4.05 x 1.93 x 1.06 in)	193.6 x 55.82 x 39.76 mm (7.62 x 2.2 x 1.56 in)
Weight	0.2 kg (0.44 lb)	0.2 kg (0.44 lb)	0.36 kg (0.79 lb)
Connectors	EPoT RJ45 x1, PoE PD LAN RJ45 x1, DC Jack x1	EPoT RJ45 x1, LAN RJ45 x1, DC Jack x1, PoE On/Off Switch x1	EPoT RJ45 x1, POE LAN RJ45 x1, PoE On/Off Switch x1
Mounting	Wall mount / Din-rail(optional)	Wall mount / Din-rail(optional)	Wall mount
Casing	Metal	Metal	Aluminum
DIP Switch	--	PoE On/Off switch	PoE On/Off switch
Join Button	1~3 sec.: Link RX and TX 5~8 sec.: Disconnect RX and TX 10~15 sec.: Reset to default	1~3 sec.: Link RX and TX 5~8 sec.: Disconnect RX and TX 10~15 sec.: Reset to default	1~3 sec.: Link RX and TX 5~8 sec.: Disconnect RX and TX 10~15 sec.: Reset to default
<b>Environmental limits</b>			
IP Rating	--	--	IP67
IK Rating	--	--	IK10
Operating Temperature	-20°C ~ 60°C (-28°F ~ 140°F)	-20°C ~ 60°C (-28°F ~ 140°F)	-30°C ~ 60°C (-22°F ~ 140°F)
Storage Temperature	-20°C ~ 85°C (-28°F ~ 185°F)	-20°C ~ 85°C (-28°F ~ 185°F)	-40°C ~ 85°C (-40°F ~ 185°F)
Relative Humidity	5% to 95% non-condensing	5% to 95% non-condensing	5% to 95% non-condensing
<b>Regulatory/ Approvals</b>			
EMC	CE, FCC, VCCI, C-Tick	CE, FCC, VCCI, C-Tick	CE, FCC, VCCI, C-Tick
Safety	EN62368-1	EN62368-1	EN62368-1
MTBF	>50000 hours	>50000 hours	>50000 hours
<b>LEDs</b>			
LAN	Ethernet status	Ethernet status	Ethernet status
PWR	Power status	Power status	Power status
LINK/BNC	EPoT RX and TX connection status	EPoT RX and TX connection status	EPoT RX and TX connection status
POE	PoE status	PoE status	PoE status
DATE	Data transmission status over STP/FTP cat5e/6 shielded cable	Data transmission status over STP/FTP cat5e/6 shielded cable	--

\* Note: When powering the TE11-110-RX-V2 via a PoE Switch, electrical isolation is mandatory between the two devices to prevent direct electrical contact.



## Ordering Information

EPoT-V2 RX Adapter			
	<p><b>TE11-110-RX-V2</b></p> <ul style="list-style-type: none"> <li>• One EPoT RJ45 port &amp; one 10/100Mbps LAN port</li> <li>• Supports 30W/60W/90W PoE or 56VDC Input</li> </ul>		
EPoT-V2 TX Adapter Series			
	<p><b>TE10-110-TX-V2</b></p> <ul style="list-style-type: none"> <li>• One EPoT RJ45 port &amp; one 10/100Mbps PoE port</li> <li>• 802.3 bt/at/af PoE output</li> <li>• Optional 56VDC Input</li> </ul>		<p><b>TE22-110-TX-V2</b></p> <ul style="list-style-type: none"> <li>• One EPoT RJ45 port &amp; one 10/100Mbps PoE port</li> <li>• 802.3 bt/at/af PoE output</li> <li>• IP67/IK10</li> <li>• Output voltage booster</li> </ul>

## Optional Accessories

	<p><b>PA-150-065</b></p> <ul style="list-style-type: none"> <li>• 100 ~ 240 VAC input, 56VDC/65W output</li> </ul>		<p><b>CH-100-V2</b></p> <ul style="list-style-type: none"> <li>• 19", 1U 4-bay rack mount chassis</li> <li>• Support 4 set TE11-110-RX-V2 with PA-150-065 power adapter only</li> </ul>
	<p><b>PA-150-120</b></p> <ul style="list-style-type: none"> <li>• 100 ~ 240 VAC input, 56VDC/120W output</li> </ul>		<p><b>CH-110-V2</b></p> <ul style="list-style-type: none"> <li>• 19", 1U 8-bay rack mount chassis</li> <li>• Support 8 pcs TE11-110-RX-V2 only</li> </ul>
	<p><b>RJ45-2P</b></p> <ul style="list-style-type: none"> <li>• RJ45 to 2-Pin Terminal Block Adapter</li> </ul>		<p><b>RJ45-BNC</b></p> <ul style="list-style-type: none"> <li>• RJ45 to BNC Adapter</li> </ul>
	<p><b>UTP-YC cable</b></p> <ul style="list-style-type: none"> <li>• Outdoor Y type RJ45 Cable</li> </ul>		

## Related Product

90W bt PoE Switch			
	<p><b>C42-042-91-380</b></p> <ul style="list-style-type: none"> <li>• 4-port Gigabit 90W bt PoE + 2-port Gigabit RJ45</li> <li>• 380W power budget</li> </ul>		<p><b>C42-084-91-770</b></p> <ul style="list-style-type: none"> <li>• 8-port Gigabit 90W bt PoE + 2-port Gigabit RJ45</li> <li>• + 2-port Gigabit SFP</li> <li>• 770W power budget</li> </ul>