



S5000

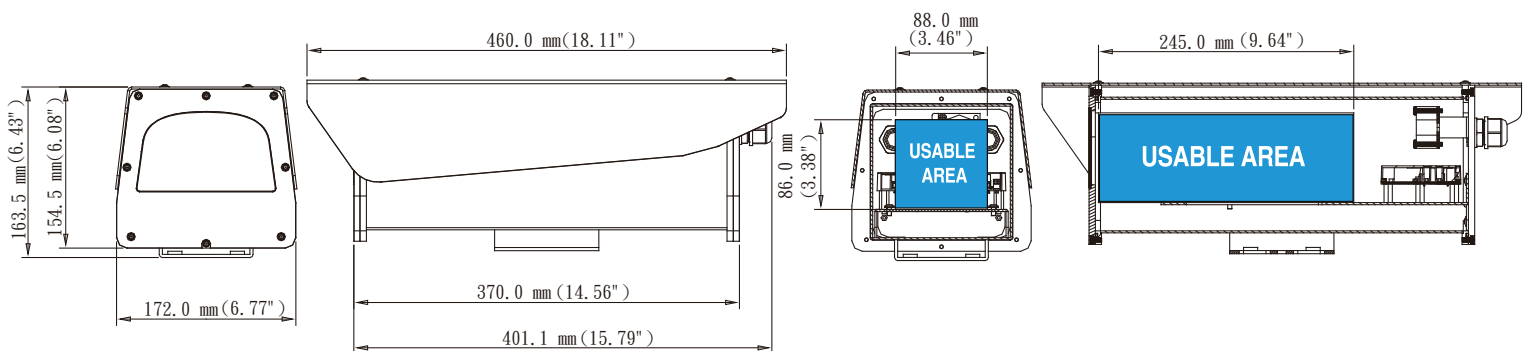
AISI 316L Stainless Steel PoE Camera Housing

AETEK's S5000 camera housing constructed by AISI 316L stainless steel is designed to protect IP box/brick camera in highly corrosive & severe environments such as offshore, chemical, petrochemical, and tunnel areas. Besides built-in heater & blower to prevent from ice & mist on window, S5000 is compliant to IP68, and IK10 standards. A PoE+ (30W) power input is obligatory for this robust housing providing PoE & 12VDC output inside housing. Furthermore, the inner capacious spaces suits camera equipped with wide angle & long distance lens.

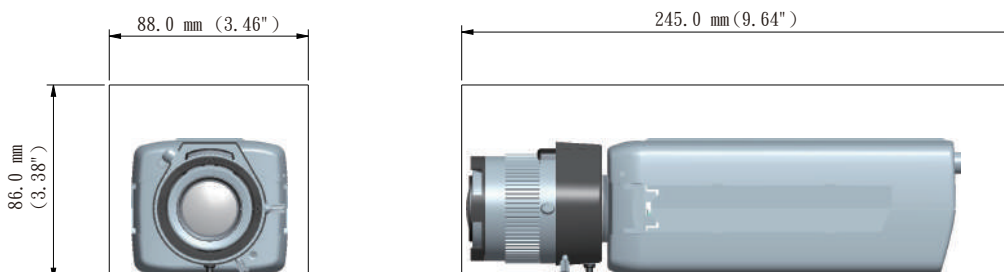
Features

- AISI 316L stainless steel construction
- Fits corrosive & severe environments
- 30W PoE input is obligatory
- IP68 weather rating standards
- IK10 impact rated on stainless steel outer shell
- Window heater & blower included
- Plug-and-play over a single network cable
- Supports wide-angle & long-distance remote focus lens
- Adjustable AISI 316L sunshield

Dimensions



Maximum Camera Length



Specifications

Power Specifications

Data rate	10/100/1000M bps
Power Input	30W PoE+, 50~57VDC
Power Output	PoE, 12VDC
Unit Power Consumption	Blower: 2W Window Heater: 5W

Physical Specifications

Window	Glass w/ heater
Body Material	AISI 316L stainless steel
Body Weight	7.5 kg
Cable Grants	PG16 x 2

Environmental Specifications

Operating Temperature	-20°C ~ 65°C (-4°F ~ 149°F)
Heater ON / OFF	≤ 20°C (68°F) ON ≥ 30°C (86°F) OFF
Blower ON / OFF	≤ 35°C (95°F) ON ≥ 25°C (77°F) OFF
Weather Rating	IP68
Vandal Proof	IK10 Impact Rated on AISI 316L Stainless Steel Housing

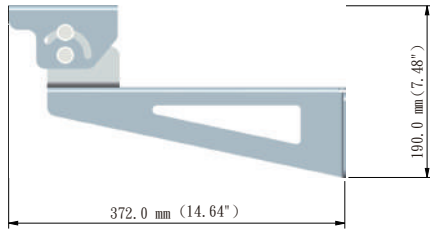
Certifications

EMC	CE, FCC, C-Tick
-----	-----------------

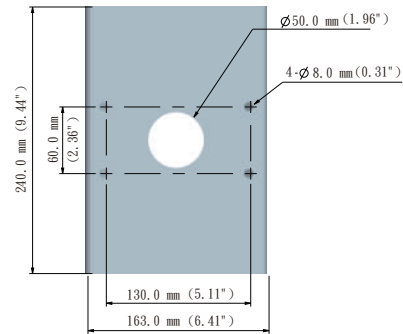
LEDs

PWR	System power status
PoE	PoE PD status

Accessories



BK-103
AISI 316L Stainless steel
Wall Mount Bracket



AT-102
AISI 316L Stainless steel
Pole Mount Adapter