

INTRODUCTION

Model	Power Source	Description
2E10-110-RX	DC	EPo2 DC in Rx Adapter, 1x BNC, 1x FE RJ45, 1 DC Jack, -20°C~60°C
2E10-110-TX		EPo2 Tx Adapter, 1x BNC, 1x FE RJ45, 1 DC Jack, -20°C~60°C
2E11-110-RX	PoE	EPo2 PoE in Rx Adapter, 1x BNC, 1x FE RJ45, -20°C~60°C

PACKAGE CONTENTS

* 1x Quick Installation Guide	* 1x 56VDC/65W Power Adapter (2E10-110-RX only)
-------------------------------	---

⚠ IMPORTANT:

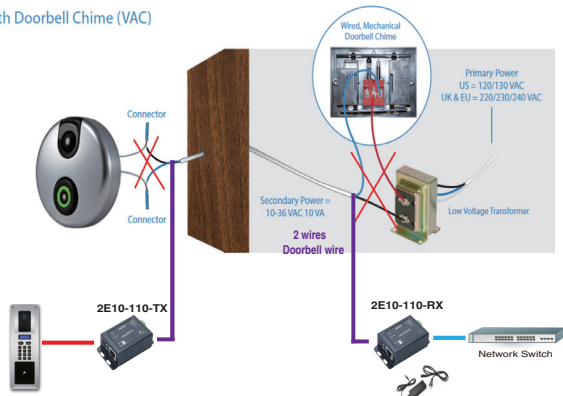
1. Use CAT5e or CAT6 UTP/STP cables and 2 wires cables.
2. Please avoid using low quality cables, which will seriously limit the cabling distance and power delivery.
3. Make sure the power source is sufficient for your configuration.

⚠ Caution !

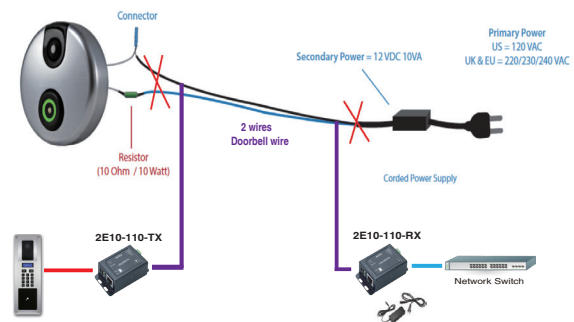
You must turn off the 48VDC input on the line from the telephone company before you install EPo2 over existing telephone line

You must turn off the power input on the doorbell line from the your power box of room controller before you install EPo2 over existing doorbell line

With Doorbell Chime (VAC)

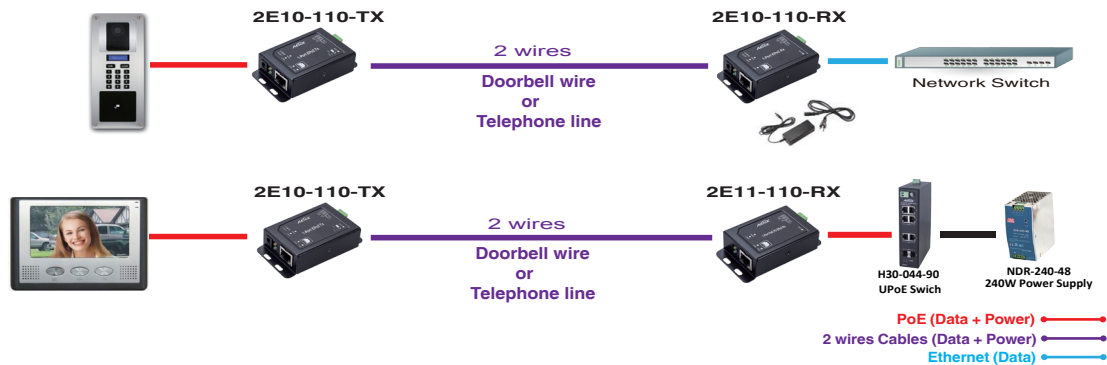


Power Supply - Adapter (No Doorbell Chime)

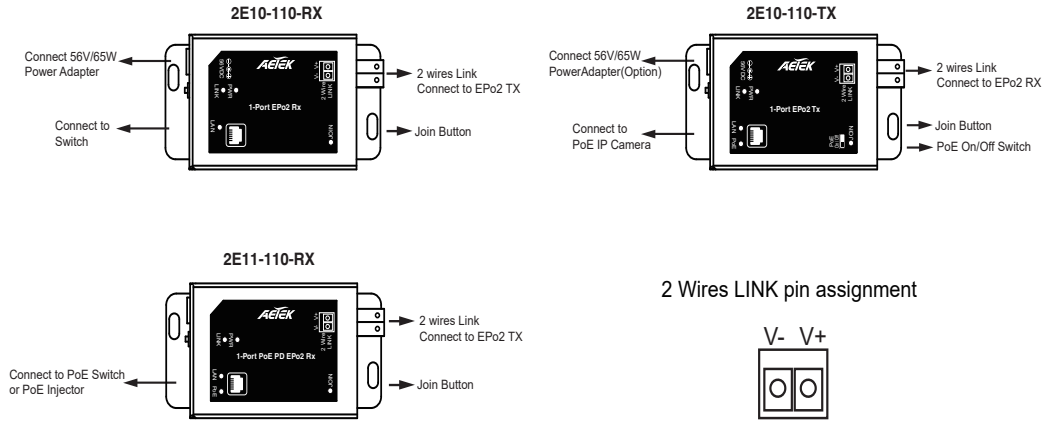


CONNECTION

Application :



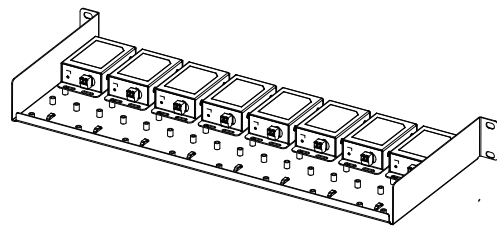
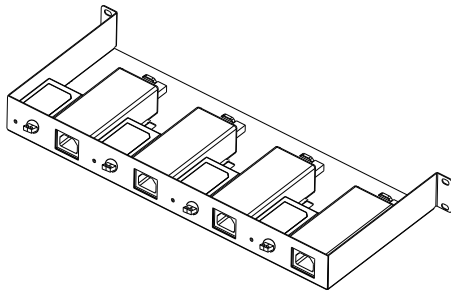
INSTALLATION



RACKMOUNT INSTALLATION

CH-100-V2 : For 2E10-110-RX & 56VDC/65W Power Adapter use

CH-110-V2 : For 2E11-110-RX use



Distance/Power Chart

	100m	200m	400m	600m
0.4mm Cable 26AWG	Watt : 18W	Watt : 8.06W	X	X
0.5mm Cable 24AWG	Watt : 23.8W	Watt : 12.1W	Watt : 6.1W	X
0.6mm Cable 22AWG	Watt : 32.3W	Watt : 17.2W	Watt : 8.4W	Watt : 5W

NOTE:

1. The length of network cable for camera connection is 1m CAT5e cable.
2. The power delivery will vary on the quality of 2 wires cable due to resistance.

LEDs

RJ45	Yellow ON	PoE: Power port is connected to PD
	Green flash	LAN: Data is being transmitted or received.
	OFF	No connection
PWR	Yellow ON	Power adapter is connected the EPo2 module
LINK	Green ON	Rx and Tx EPo2 module is connected.

DIP Switch

NOTE: The PoE On/Off switch is only available on 2E10-110-TX

DIP#	On	Delivery PoE output to PD device
	Off	No PoE output to PD device (default setting)

* When Connect PoE Switch Data or PoE port ,The DIP Switch need off.

Join Button

- Press the Join button for 1-3 seconds on both Local and Remote Extenders to Link them.
- Press the Join button on the Remote Extender for 5-8 seconds to disconnect the Link between the Extenders
- Press the Join button for 10~15 seconds to reset the Extender to default.

All specifications are subject to change without notice.
Copyright © 2020 AETEK INC. All rights reserved.

AETEK INC.
6F, No.192-1, Lien-Cheng Rd., Chung-Ho, New Taipei City, 235, Taiwan, R.O.C.
| T: +886-2-82452822 | W: www.aetektec.com | E: sales@aetektec.com