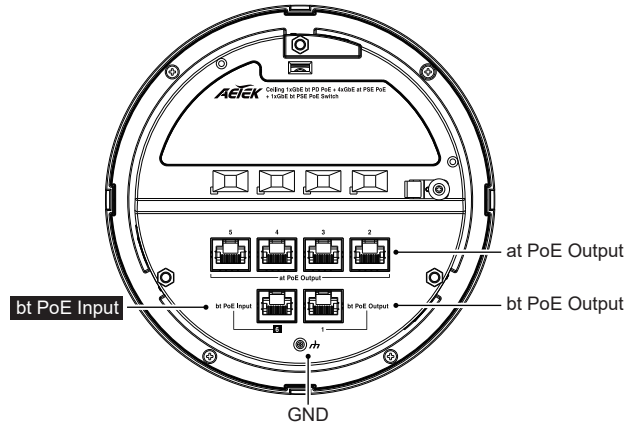
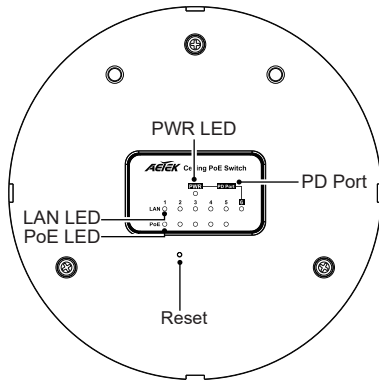


PACKAGE CONTENTS

* 1x PoE switch	* 1x Quick Installation Guide
-----------------	-------------------------------

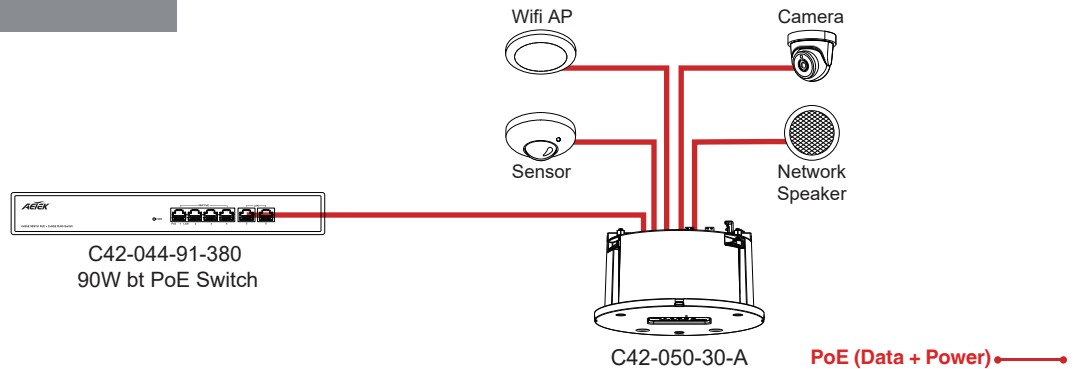
CONNECTION



LED DEFINITIONS

Power	Green ON	The Power LED lights up when the switch is connected to a power source.
LAN	Green ON	Port is enabled and link established.
	Green Blinking	Port is transmitting and receiving data.
PoE	Amber ON	Indicates the PoE powered device (PD) is connected and the port supplies power successfully.
	Amber Off	Indicates no powered device (PD) connected.

Application



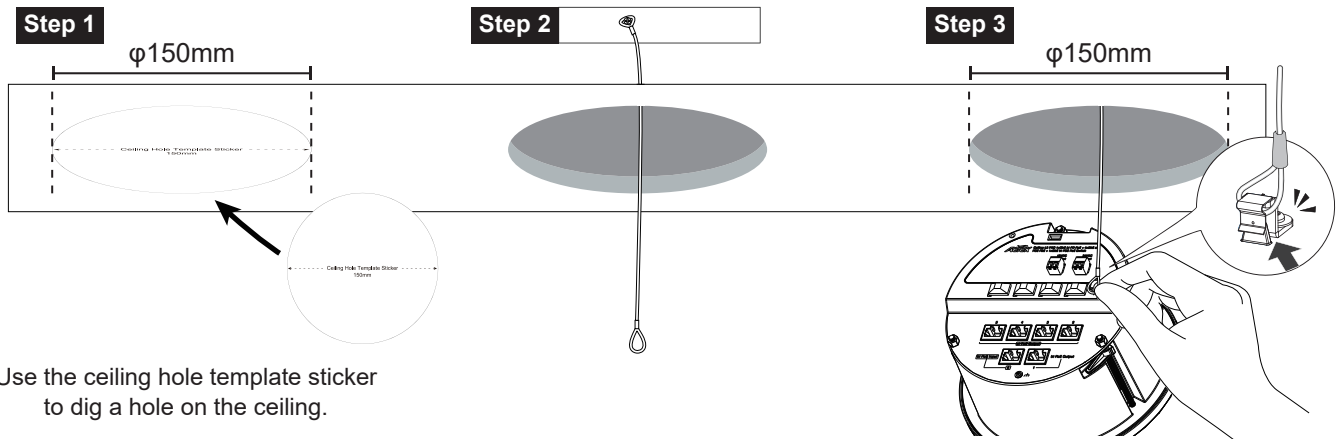
Installation Steps

Installed on the system ceiling

1. Attach the ceiling mount bracket to plasterboard, etc.

- It is recommended to add the fastening screw to the hole size of the ceiling, turn it with a screwdriver to install it. The ceiling thickness that can be connected with the clamping bracket is from 5 to 45 mm.
- The recommended screw torque is 7kgf-cm ± 3.
- Install on the ceiling with sufficient strength.
- If you have to install it on rock wool ceiling and other weak ceiling panels, please provide enough reinforcement.
- The recommended ceiling opening size is $\phi 150\text{mm}$.
- The recommended minimum space (height) for ceiling switch installation is 140mm (For Installation and CAT5/6 cable routing.)

Installation Steps

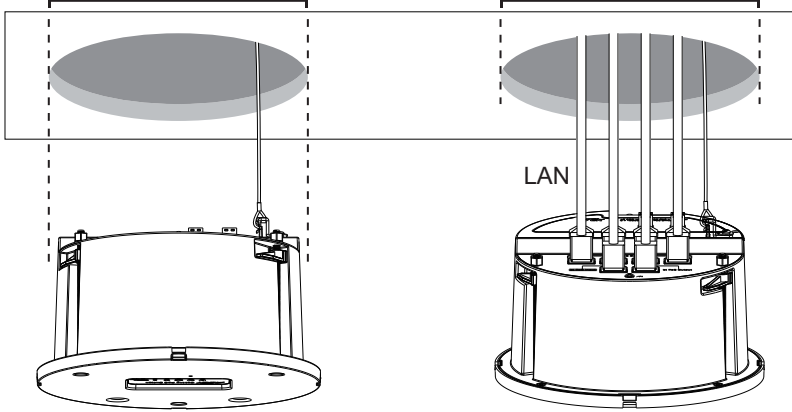


Use the ceiling hole template sticker to dig a hole on the ceiling.

Installation Steps

Step 4

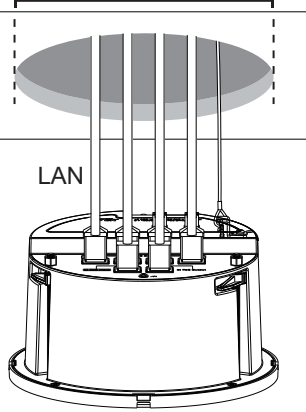
φ150mm



Recommend hole size for mounting ceiling PoE switch is φ150 mm.

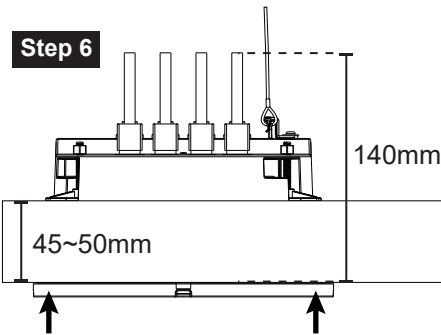
Step 5

φ150mm



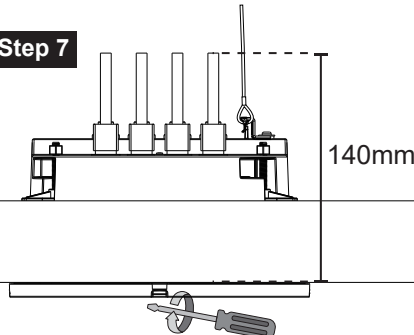
Connect LAN cable to ceiling PoE switch.

Step 6



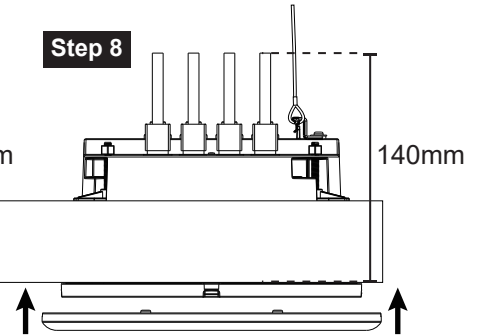
Push up ceiling PoE switch to the ceiling hole.

Step 7

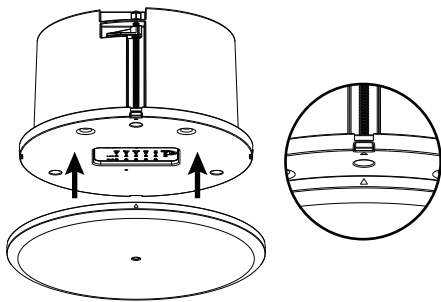


Use a flathead screwdriver to installing
Turn right to lock.
(Turn left release)

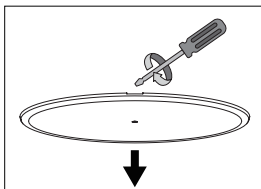
Step 8



Attach cover to ceiling PoE switch.



Align the triangle markings on the cover and the ceiling switch to snap the cover on the switch.



After installing this product on the ceiling, install the included panel.
Pay attention to the installation direction, align the groove with the notch on the panel and install it correctly.

- Remove the panel with a flat-head screwdriver.