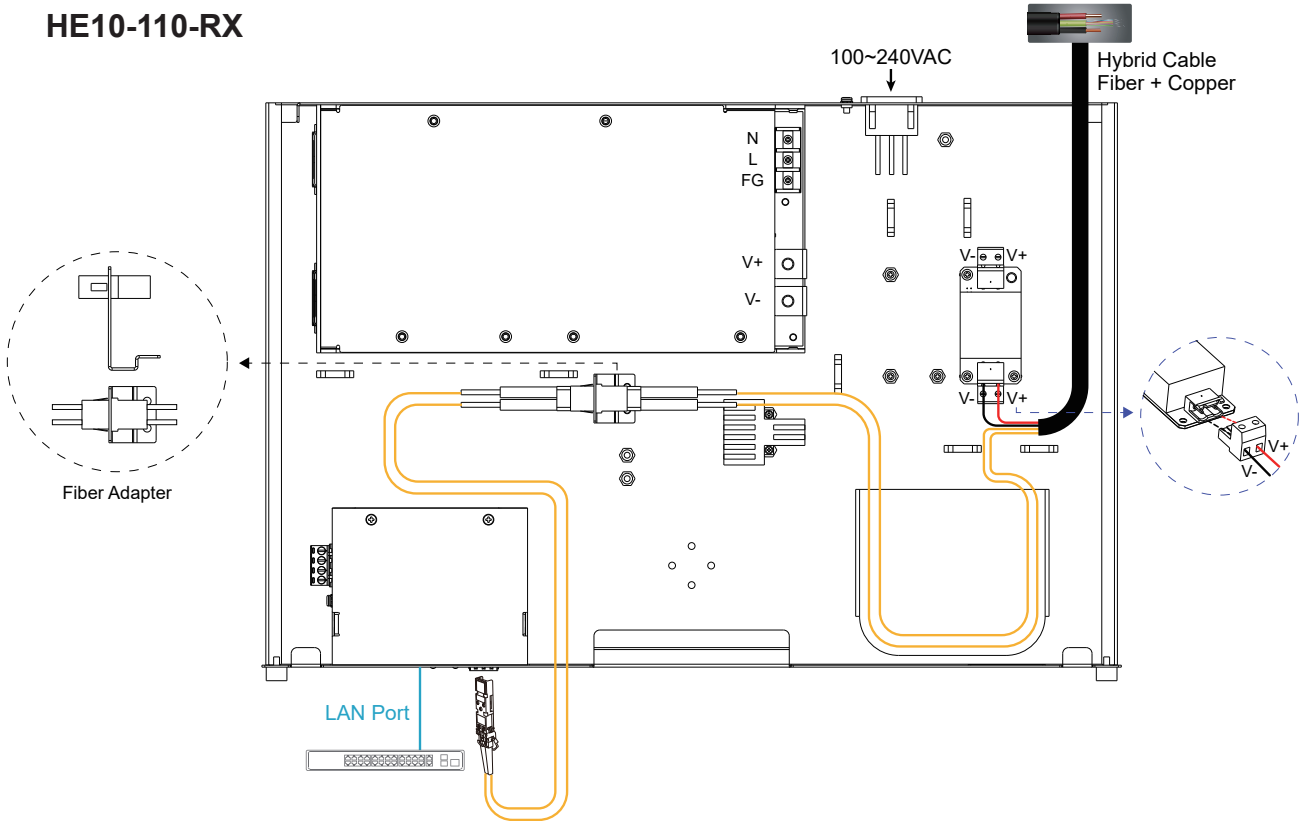


INTRODUCTION

Model	Description
HE10-110-RX	4C fiber panel with Power terminal block for 1x RSP-750-48, 1x M30-011-01
H60-044-30-DC-V2	4xGbE 30W PoE+2xGbE SFP+2xGbE RJ45 12-56 VDC Input

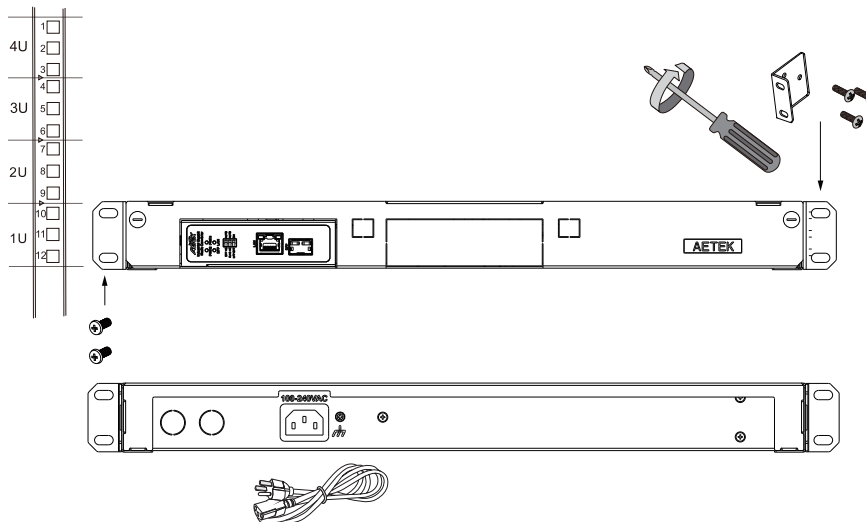
RACKMOUNT INSTALLATION

HE10-110-RX



- Customer need to install cable themselves which is red, yellow and black cable in the figure.
- Install single or dual fiber cables according to SFP transceiver.

Front rack posts



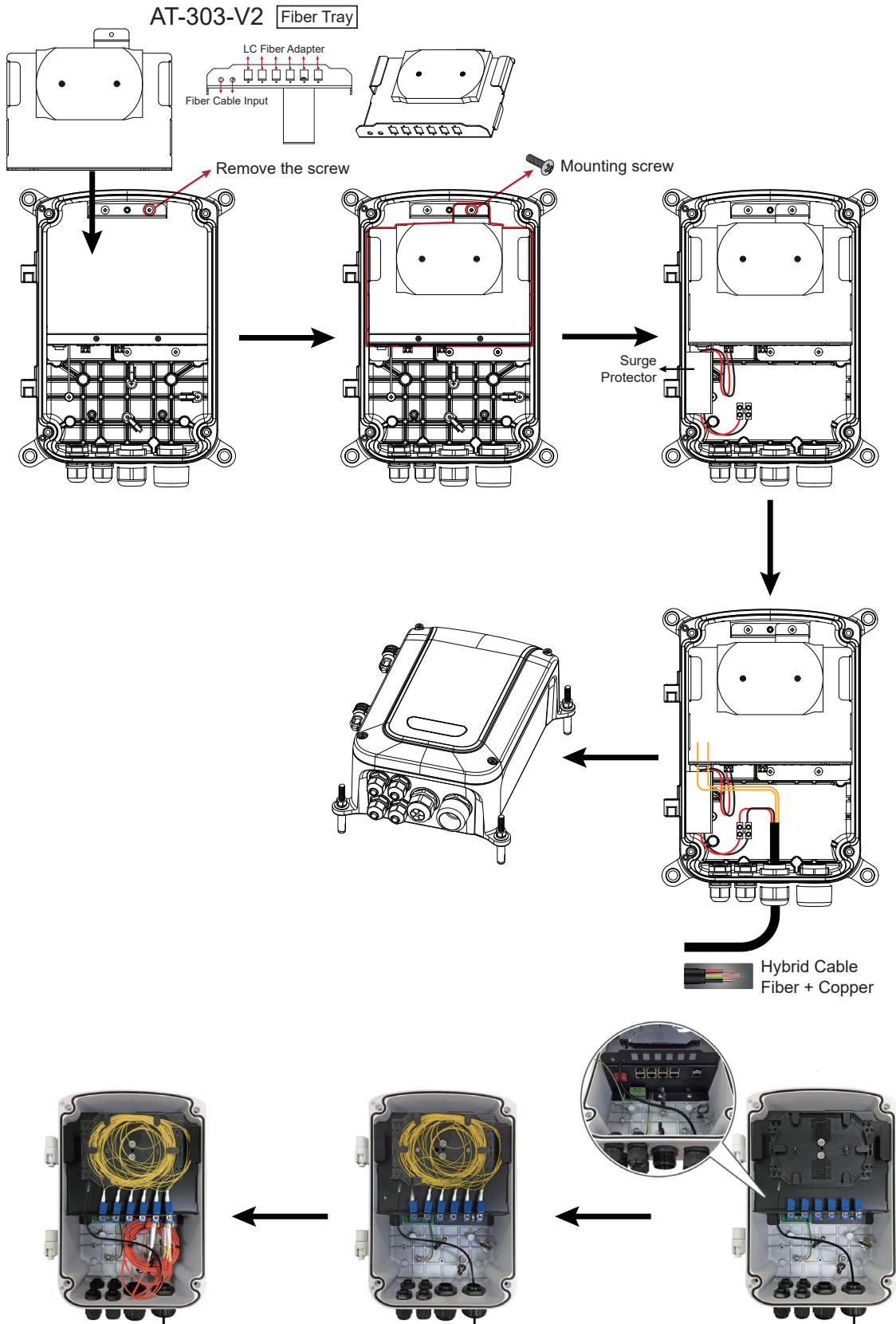
Tool Requirement

1. Cable stripper and cutters
2. Fusion splice machine and related tools
3. Single SC to single SC, single SC to single LC, single LC to single LC or dual LC to dual LC fiber adapters, screw and screw nut
4. single mode or multi mode fiber pigtail

Warning

Always wear eye protection when working with optical fibers. Never look into the end of terminated or unterminated fibers. Laser radiation is invisible but can damage eye tissue. Never eat, drink or smoke when working with fibers. This could lead to ingestion of glass particles.

H60-044-30-DC-V2



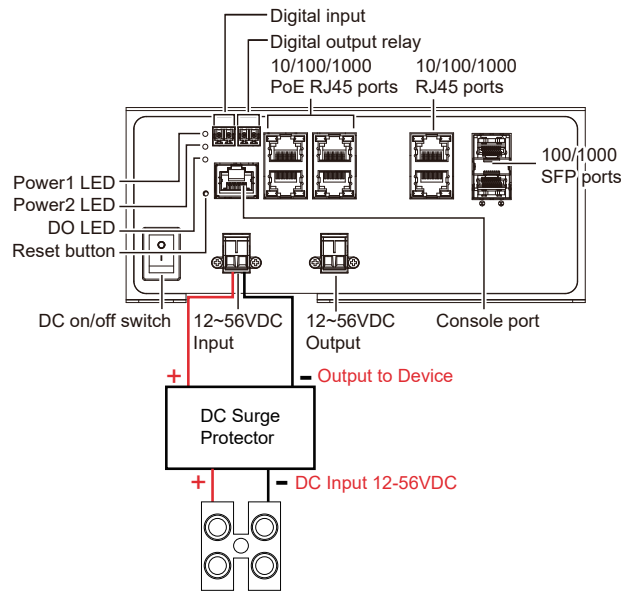
Tool Requirement

1. Cable stripper and cutters
2. Fusion splice machine and related tools
3. Single SC to single SC, single SC to single LC, single LC to single LC or dual LC to dual LC fiber adapters, screw and screw nut
4. single mode or multi mode fiber pigtail

⚠ Warning

Always wear eye protection when working with optical fibers. Never look into the end of terminated or unterminated fibers. Laser radiation is invisible but can damage eye tissue. Never eat, drink or smoke when working with fibers. This could lead to ingestion of glass particles.

H60-044-30-DC-V2



Reset button

Task	Method	SYS LED Behavior	Port Status LED Behavior
Reset	Press 2 ~ 7 seconds	Blinking Green	All LEDs Off.
Restore Defaults	Press 7 ~ 12 seconds	Blinking Green	All LEDs On.

DO LED

LED	Color	State	Description
System	Yellow	On	DO ON
		Off	DO OFF

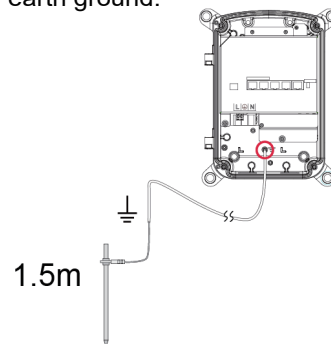
Power LEDs

LED	Color	State	Description
Power1	Green	On	Powered on correctly.
		Off	Not receiving power from power1.
Power2	Green	On	Powered on correctly.
		Off	Not receiving power from power1.

DEFAULTS

IP Address	192.168.1.1
Subnet Mask	255.255.255.0
User Name	admin
Password	admin

The cabinet must be grounded using a ground wire between the ground screw and earth ground.



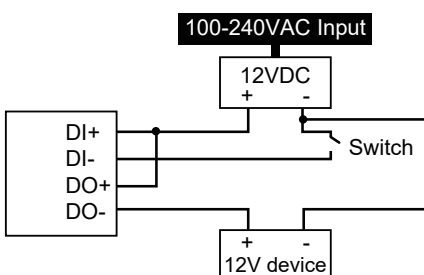
Console Port Defaults

Baud rate	115200
Stop bits	1
Data bits	8
Parity	N
Flow control	none

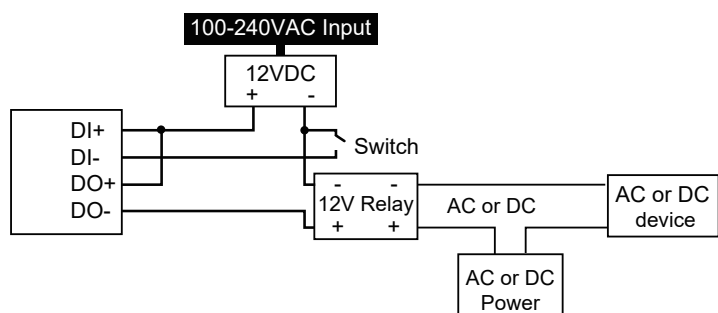
Port Status LEDs

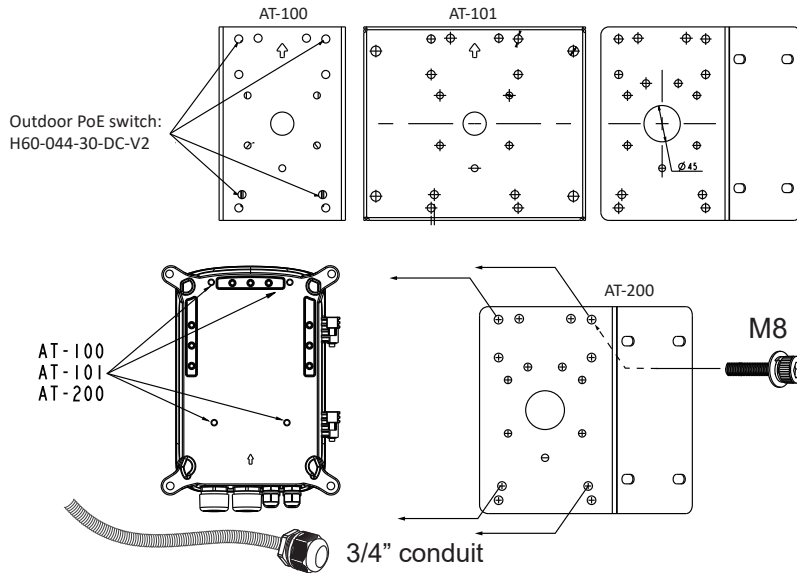
LED	Color	State	Description
RJ45 Ports Up (PoE)	Amber	On	The port is enabled and supplying power to connected device.
		Off	The port has no active connection, or it is not connected to a PoE PD device. Otherwise, the port may have been disabled through the switch user interface.
RJ45 Ports Down (LAN)	Green	On	The port is enabled and established a link to connected device.
		Blinking	The port is transmitting/receiving packets.
		Off	The port has no active network connection, or it has no established link to connected device. Otherwise, the port may have been disabled through the switch user interface.
SFP Ports	Green	On	The port is enabled and established a link to connected device,
		Blinking	The port is transmitting/receiving packets.
		Off	The port has no active network connection, or it has no established link to connected device. Otherwise, the port may have been disabled through the switch user interface.

DI/DO Connection Diagram



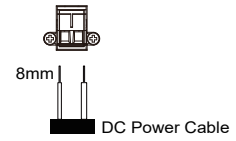
DI/DO Connection Diagram w/ AC or DC Relay



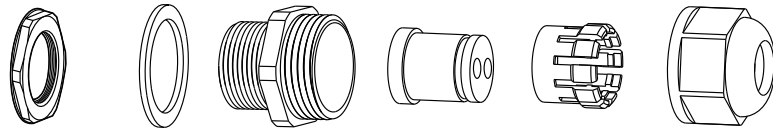


DC Power Cable Spec.

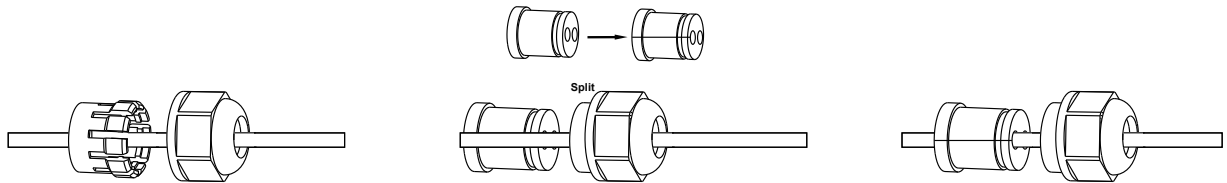
Wire Size	10~18AWG
Wire Strip Length	8mm



Assemble Cable Glands



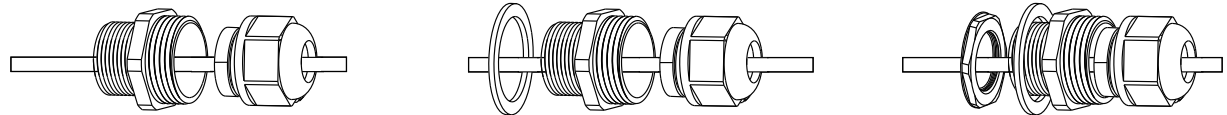
Lock Nut (F) Washer (E) Body (D) Rubber (C) Grip (B) Cap (A)



1. Thread the Cat5e/6 cable through the cap(A) & grip(B)

2. Split rubber(C), rubber have one sizes for meet 5.4~6mm Cat5e/6 cable.

3. Fit the split rubber(C) over the Cat5e/6 cable



4. Thread the Cat5e/6 cable through the body(D)

5. Assemble the washer to the body.

6. Mount the nut to the assemblage.



7. Tighten the cap and the body together as the illustration shows.

8. Tighten the whole assemblage to the full. See the illustration.

All specifications are subject to change without notice.
Copyright © 2026 AETEK INC. All rights reserved.

AETEK INC.
6F, No.192-1, Lien-Cheng Rd., Chung-Ho, New Taipei City, 235, Taiwan, R.O.C.
| T: +886-2-82452822 | W: www.aetek.com | E: sales@aetek.com