

Quick Installation Guide

INTRODUCTION

Model	Power Source	Description
XC10-084-380	100~240VAC	EPoC RX Switch, 16x BNC, 2x GbE RJ45, 2x GbE SFP, 100-240VAC Input, 0°C~50°C

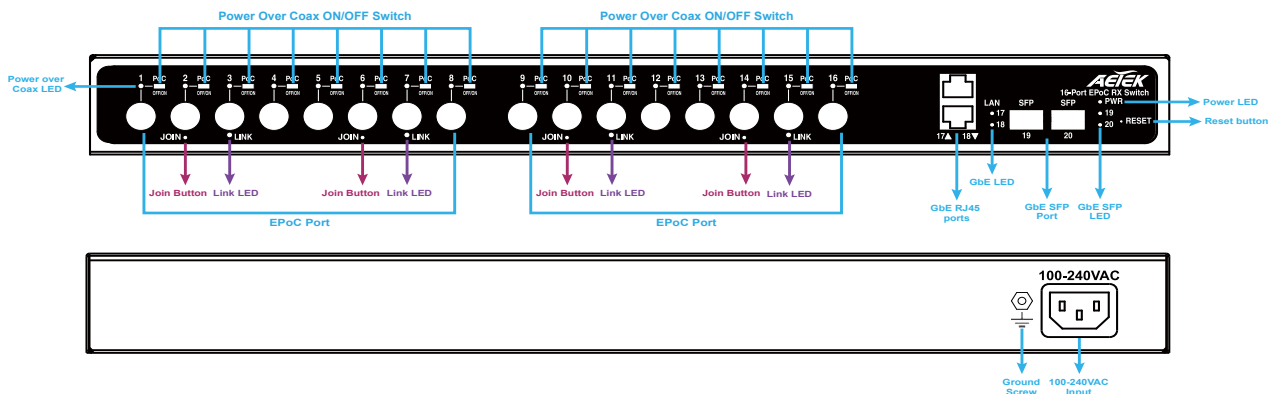
PACKAGE CONTENTS

* 1x EPoC RX Switch	* 1x Quick Installation Guide
* 2x rack mount ears	* 1x power cord (type by the shipped-to area)

⚠ IMPORTANT:

1. Install the EPoC RX switch in a ventilated and dry place that is free of electromagnetic source, vibration, moisture, and dust.
2. Make sure the ventilation openings on the switch are not blocked.
3. Use CAT5e or CAT6 UTP/STP cables and RG6 coaxial cables.
4. Please avoid using low quality cables, which will seriously limit the cabling distance and power delivery.
5. AC input (100~240V/AC, 50~60Hz,5A)

CONNECTION



Distance/Power Chart

Length of Coaxial Cable	Power
300m	<34.72W
500m	<25.2W
800m	<13.11W
1000m	<10W
1200m	<9.66W
1200m ~ 2400m	Data only (100Mbps)

NOTE:

1. The numbers comply using RG6 coaxial cables.
2. The length of network cable for camera connection is 1m CAT5e cable.
3. The power delivery will vary on the quality of coaxial cable due to resistance.

LEDs

LAN	Green ON	Ethernet port is connected.
	Green flash	Data is being transmitted or received
	OFF	No connection
PWR	Yellow ON	RX Switch power status
LINK	Green ON	Rx Switch and EPoC TX device connect status
POC	Yellow ON	Power over Coaxial cable status

PoC DIP Switch

DIP#	On	Delivery power output to EPoC TX device
	Off	No power output to EPoC TX device

Join Button

- Press the Join button for 1-3 seconds on both Local and Remote Extenders to Link them.
- Press the Join button on the Remote Extender for 5-8 seconds to disconnect the Link between the Extenders
- Press the Join button for 10~15 seconds to reset the Extender to default.

Rack-mounting

Front rack posts

