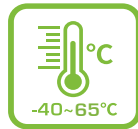
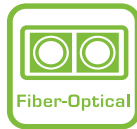
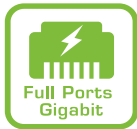


H40-022-91-120-B

Outdoor IP67/IK10 L2 2-Port Gigabit
bt PoE Switch for Avigilon & Hanwha & Axis
PTZ / Multi-Sensor Cameras and Compatible Mounts



The AETEK H40-022-91-120-B is an all-in-one PoE solution designed for **Avigilon, Axis, and Hanwha PTZ and multi-sensor cameras**, with direct mounting support for Avigilon and adapter compatibility for Axis and Hanwha. It delivers up to 90W PoE output per port with a total PoE power budget of 120W, providing sufficient power for high-performance devices.

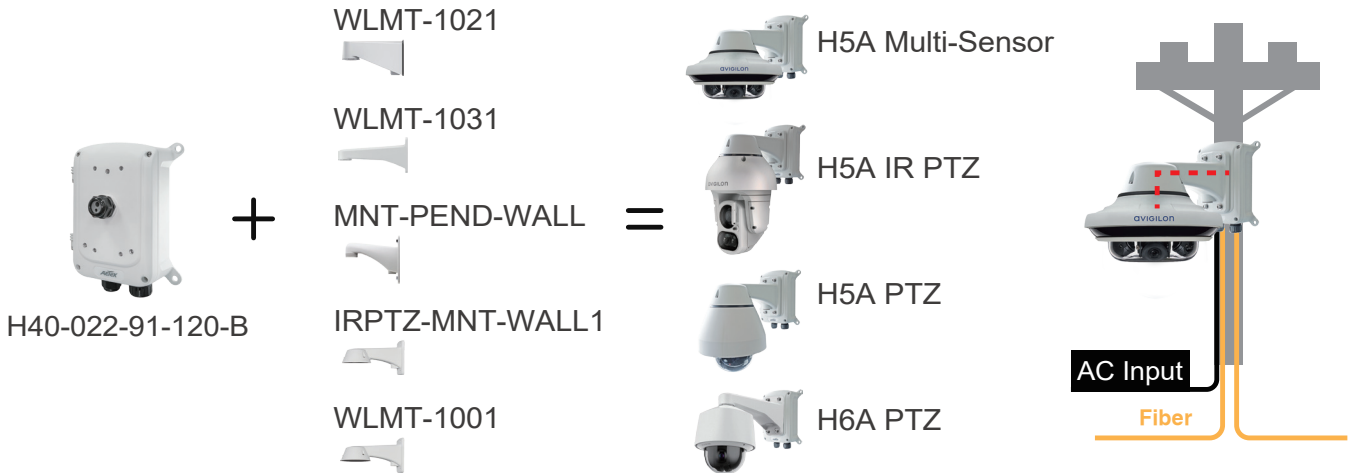
Equipped with two Gigabit bt PoE ports and two Gigabit SFP slots, this model supports flexible uplink options and daisy-chained deployments. Its customized front panel features precisely positioned mounting holes designed to fit **Avigilon wall mount** accessories, allowing direct camera installation without additional brackets. For Axis and Hanwha cameras, compatible adapters (**AT-401 set for Axis, AT-402 for Hanwha**) are available to seamlessly integrate their respective wall mount accessories.

With a rugged IP67 and IK10-rated housing, the H40-022-91-120-B withstands harsh outdoor environments with operation temperatures ranging from -40°C to +65°C (-40°F to +149°F), making it a robust and integrated solution for outdoor surveillance networks.

Features

- Compatible with Avigilon wall mount holes for direct PTZ and multi-sensor camera installation
- Compatible with Axis wall mount accessories via AT-401 adapter set (includes Recessed Adapter and Small Adapter) for PTZ and multi-sensor cameras
- Compatible with Hanwha wall mount accessories via AT-402 adapter for PTZ and multi-sensor cameras
- Delivers up to 90W IEEE 802.3bt PoE output per port
- Gigabit SFP ports for flexible uplink and daisy-chain networks
- Rugged aluminum enclosure with IP67 and IK10-rated protection
- Wide operating temperature: -40°C to +65°C (-40°F to +149°F)
- Built-in 6KV PoE surge protection and 10KV AC surge protection

AVIGILON™



AXIS COMMUNICATIONS



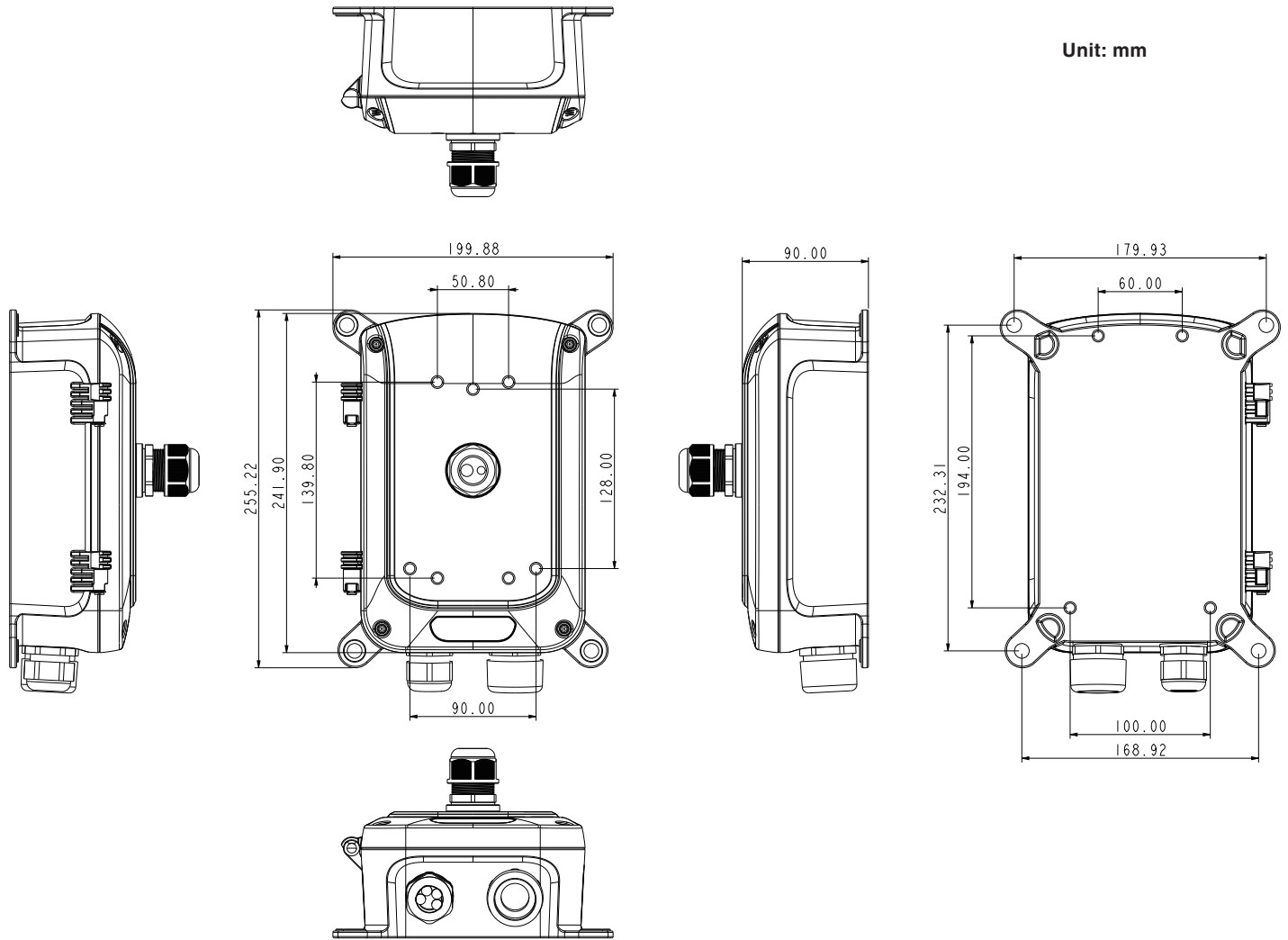
Hanwha Vision



Specifications

H40-022-91-120-B	
Networking	
Total Gigabit Ethernet Ports	4
Gigabit Ethernet 802.3af/at/bt PoE Ports	2 x 90W bt PoE
Gigabit Ethernet SFP Ports (100M/1G)	2
Forwarding Capacity	5.952Mpps
Mac Table	8K
Jumbo Frames	9,216 Bytes
Switching Capacity	8 Gbps
Power	
Input Voltage	100~240VAC and 48-56VDC Backup Input Power
Output Power per PoE Port	PoE IEEE 802.3af (Max. 15.4W) PoE+ IEEE 802.3at (Max. 30W) PoE++ IEEE 802.3bt (Max. 90W)
Output PoE Power Pin Assignment	12(-), 36(+), 45(+), 78(-)
System Power Consumption (without PoE)	5W
PoE Output Power Budget	120W
Surge Protection per PoE Port	6KV
Surge Protection for AC power	10KV
Mechanical	
Dimensions (W x D x H)	199.9 x 255.2 x 130 mm
Weight	3.2 kg (7.05 lb)
Environmental	
IP Rating	IP67
IK Rating	IK10
Operating Temperature	-40°C ~ 65°C (-40°F ~ 149°F)
Storage Temperature	-40°C ~ 85°C (-40°F ~ 185°F)
Operating Humidity	5% ~ 95% non-condensing
Certifications	
EMC	CE, FCC, VCCI, C-Tick Class A
Safety	EN62368-1
Surge	EN61000-4-5
Others	
Compatible Avigilon Mounts	IRPTZ-MNT-WALL1 MNT-PEND-WALL WLMT-1001 WLMT-1021 WLMT-1031
Compatible Hanwha Mounts	SBP-300WM1 SBP-300WMW1
Compatible Axis Mounts	T91E61 T91D61

Dimension



Optional Accessories

SFP Modules



SFP-ISX-X5

Industrial Gigabit SFP Transceiver

- MMF
- 0.5 km
- -40°C ~85°C



SFP-ISX-02

Industrial Gigabit SFP Transceiver

- MMF
- 2 km
- -40°C ~85°C



SFP-ILX-10

Industrial Gigabit SFP Transceiver

- SMF
- 10 km
- -40°C ~85°C



SFP-ILX-40

Industrial Gigabit SFP Transceiver

- SMF
- 40 km
- -40°C ~85°C



SFP-ITX-X1

Industrial Gigabit SFP Transceiver

- SFP
- 100 km
- -40°C ~85°C

Pole Mount Brackets



AT-100

Pole Mount Adapter



AT-101

Pole Mount Adapter

Corner Mount Bracket



AT-200

Corner Mount Adapter

Fiber Splice Tray



AT-302

Fiber Splice Tray

Adapters



AT-401

Adapter for Axis Mount Bracket



AT-402

Adapter for Hanwha Mount Bracket